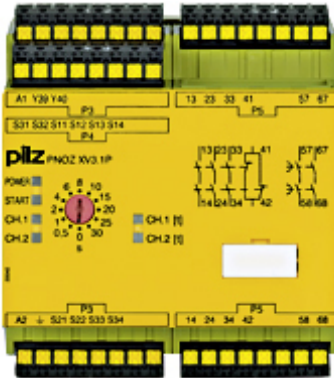


PNOZ XV3.1P C 30/24-240VACDC 3no 1nc 2no

787530



Safety relay (standalone), inputs: 1/2-channel wiring with/without detection of shorts across contacts, outputs: 3 N/O, 1 N/C, 2 N/O t-d ($t = 0.1 - 30$ s), automatic/monitored start, $U_B = 24 - 240$ V AC/DC, width: 90 mm, plug-in spring-loaded terminals, monitoring of E-STOP, safety gates, light curtain.

Technical details

General data

Approval: CCC, CE, UKCA, cULus Listed, EAC (Eurasian), TÜV

Technical data

Electrical data

Supply voltage (V): 24 - 240 V

Type of supply voltage U1: AC/DC

Power consumption AC: 8.5 VA

Power consumption DC: 5 W

Inputs

Number of inputs: 2

Semiconductor outputs

Number of semicond. outputs: 0

Relay outputs

Utilisation cat. AC/DC1 stand.: EN 60947-4-1

Voltage AC1 safety cont.: 240 V

Max. current AC1 safety cont.: 8 A

Voltage DC1 safety cont.: 24 V

Max. current DC1 safety cont.: 8 A

Utilisation cat. AC15/DC13sta.: EN 60947-5-1

Voltage AC15 safety cont.: 230 V

Max. current AC15 safety cont.:	5 A
Voltage DC13 safety cont.:	24 V
Safety contacts: AC at UL:	240 VAC G. P.
Safety contacts: pilot duty:	C300, R300
Relay contact material:	AgSnO ₂
Addit. contact details relay:	+ 0.2 µm Au
Environmental data	
Climatic suitability to ...:	EN 60068-2-78
Ambient temperature:	-10 - 55 °C
Humidity rating:	93 % r. h. at 40 °C
Condensation permitted?:	Not permitted
EMC to standard ...:	EN 60947-5-1, EN 61000-6-2, EN 61000-6-4, EN 61326-3-1
Vibration to standard ...:	EN 60068-2-6
Clearance & creepage dist. to:	EN 60947-1
Overvoltage category:	III / II
Pollution degree clear.&creep.:	2
Times	
Selectable times:	6 s, 20 s, 30 s, 4 s, 15 s, 25 s, 0.1 s, 1 s, 0.5 s, 2 s, 10 s, 8 s
Tolerance Tv:	-15 %/+15 % +50 ms
Repetition accuracy:	2%
Mechanical data	
Mounting position:	any
Housing material front plate:	ABS UL 94 V0
Connection terminal:	Spring-loaded terminal
Terminal style:	plug-in
Height dimension:	101 mm
Width dimension:	90 mm
Depth dimension:	121 mm
Net weight:	535 g

Gross weight:	545 g
Environment	
RoHS directive:	2011/65/EU, 2015/863/EU
RoHS conformity:	yes
RoHS exceptions:	yes
RoHS except.s acc. to direct.:	7a, 7c I
REACH compliance:	contains min. 1 SVHC-substance
REACH included substances:	Lead, Lead oxide
%-part of the pollutant:	> 0,1
CAS No.:	7439-92-1, 1317-36-8
SCIP entry available:	yes
WEEE classification (08/2018):	5 devices (feed size < 50cm)
Commercial data	
ECLASS version:	ECLASS-13
ECLASS Reference Feature:	27371819
ETIM Version:	ETIM-9.0
ETIM Reference Group:	EG000019
ETIM Reference Feature:	EC001449
UNSPSC 25:	39122331
GTIN:	4046548008197
Volume:	1.249 dm3
Harmonized System Code:	85364900
Type of tariff number:	TARIC
Use of customs tariff number:	Ausfuhr, Einfuhr
Quantity per packaging unit:	1

Optional accessories

374291

PNOZ X Set spring loaded terminals P3+P4



374292

PNOZ X Set spring loaded terminals P5+P5

