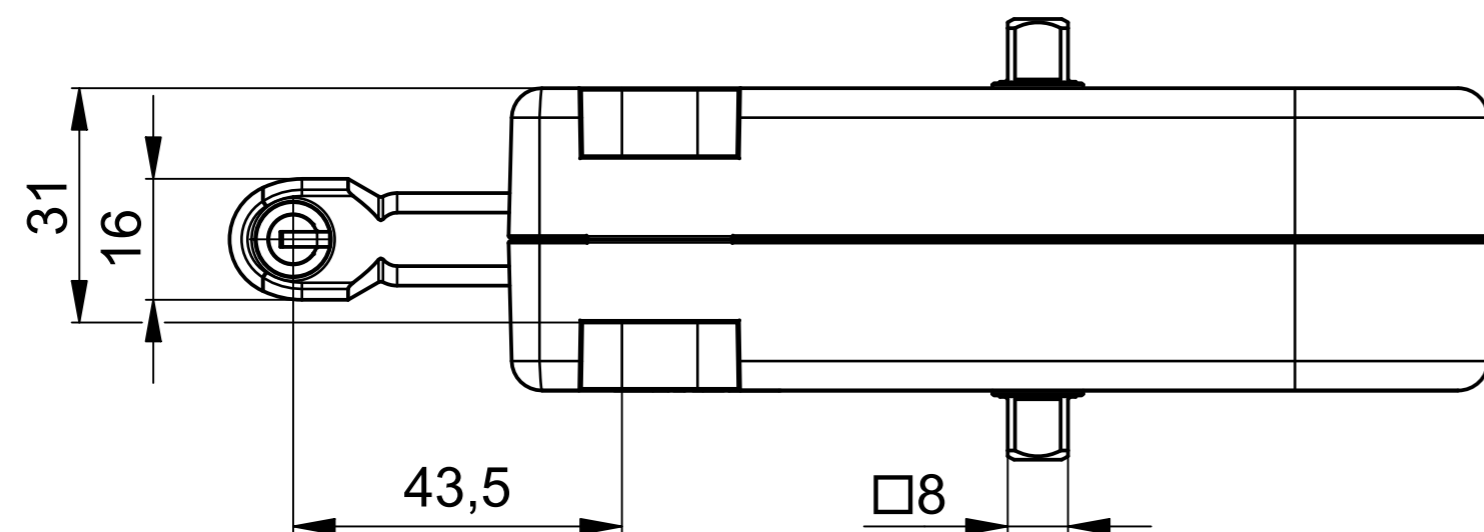
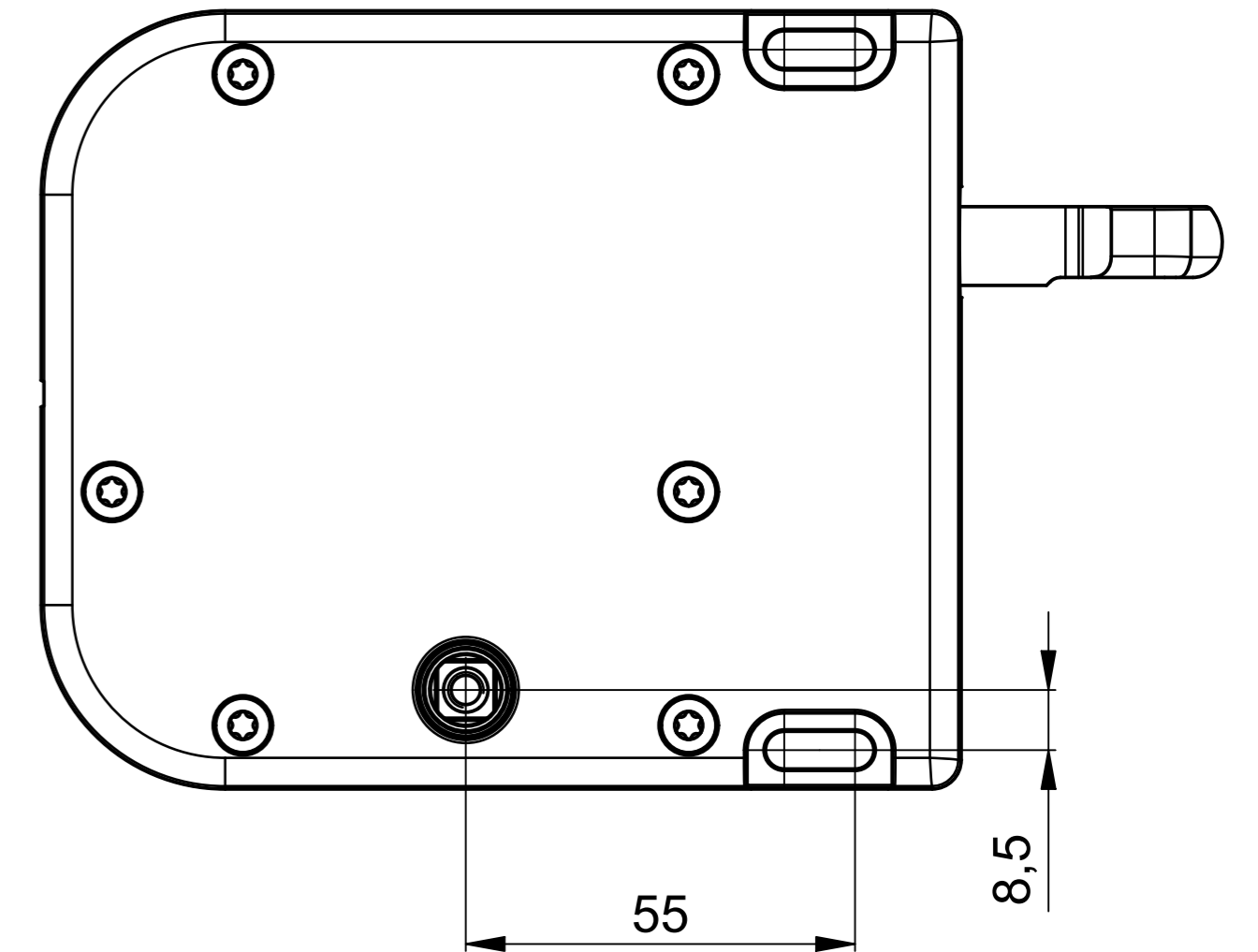
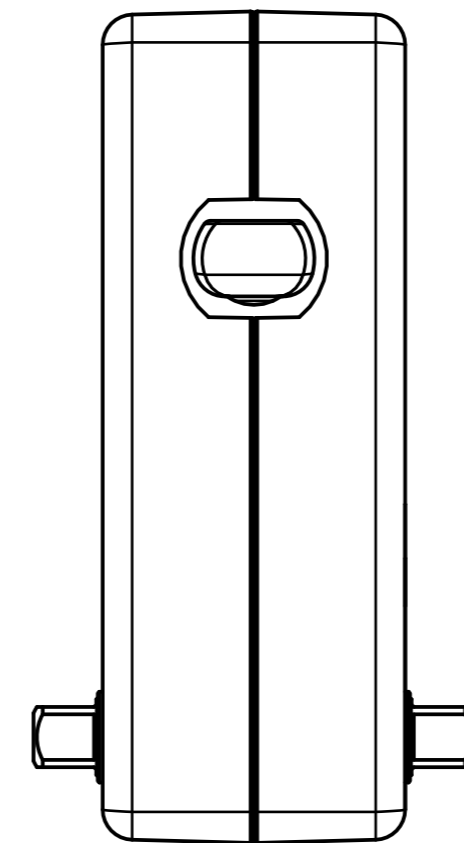
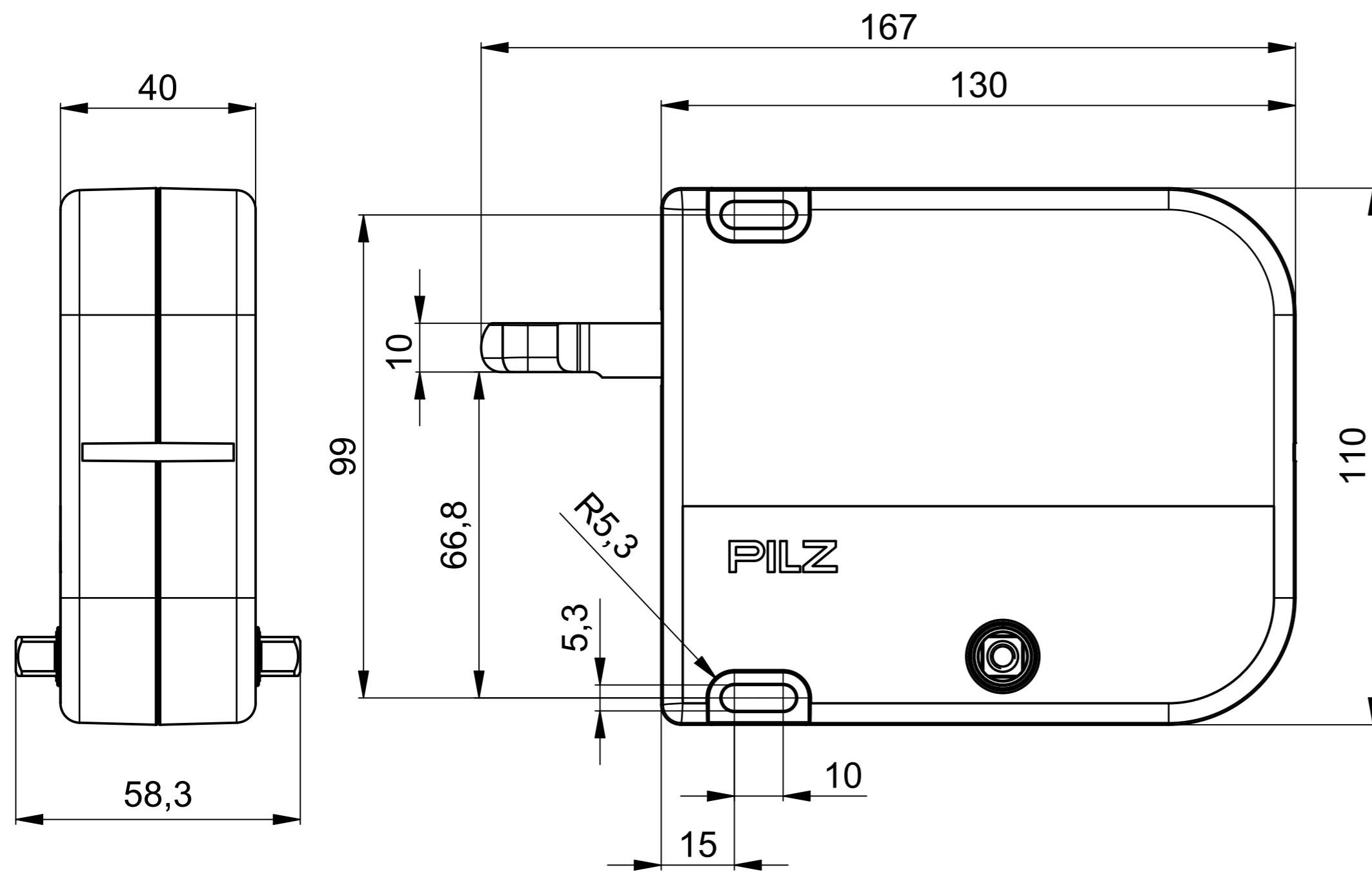
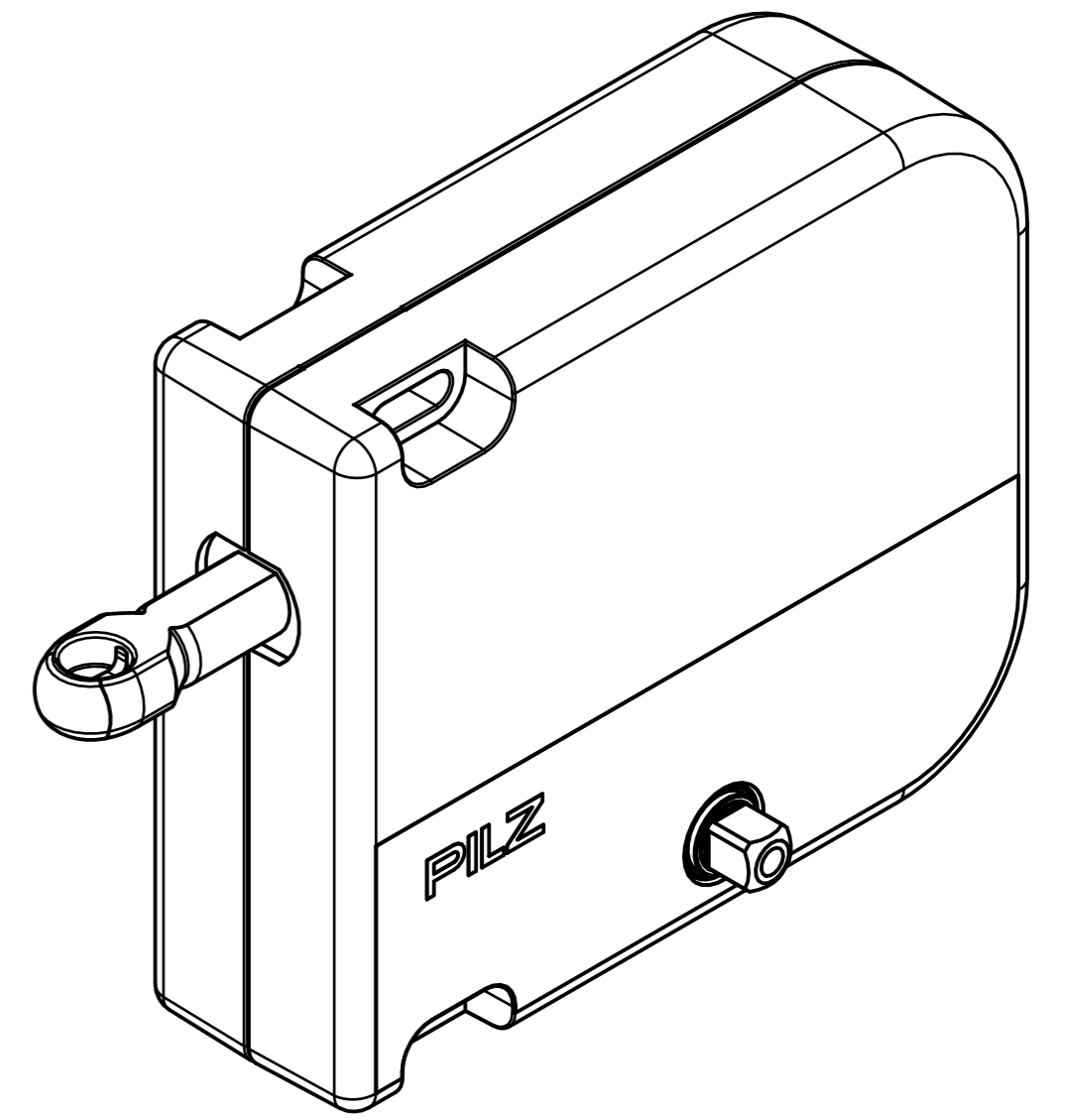
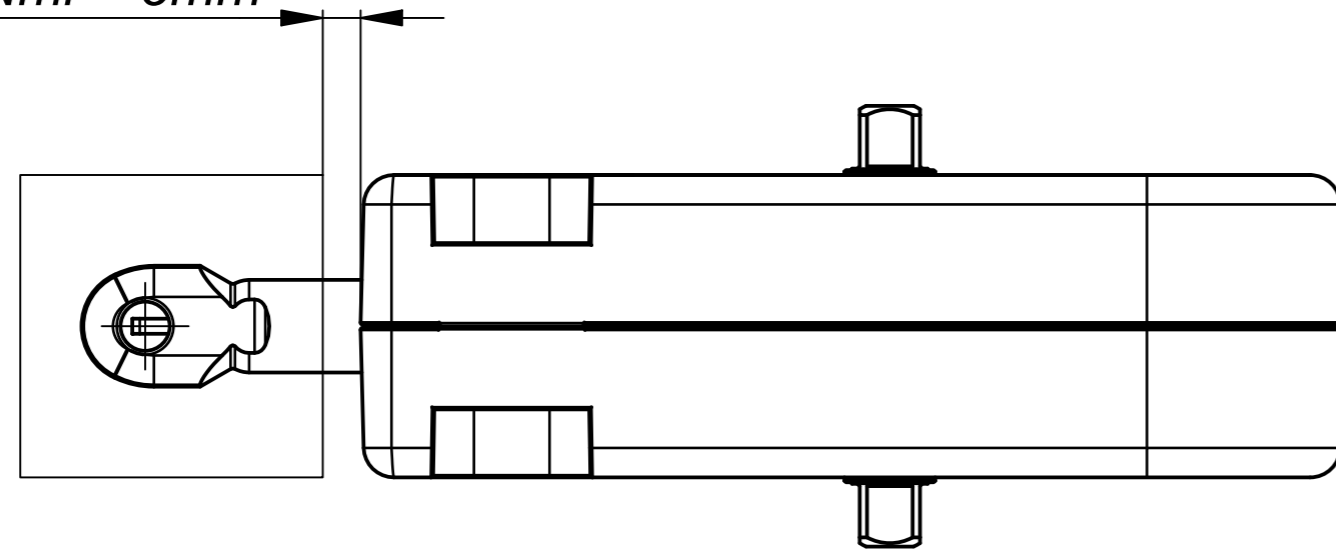


Distanz zu Sensor PSENml = 5mm  
 distance to sensor PSENml = 5mm



Observe protection note to DIN34	B	H-3588	15.03.2022	ES-PE	ES-PE	-	
	Index	ECO no.	Date	Editor	Checked	-	
	Scale	1:1			Date	Name	MODEL: 2028815 DRW: 2028808
	Material			Created	23.01.2020	ES-ST	Internet Dokument
				Checked	24.01.2020	ES-ST	internet document
				Norm	-	-	PSEN ml DHM up r x.1
				All dimensions are in mm			
	Surface			Unspecified tolerance			Doc.-No. 2028808
							Page 1
							Mat.-No. - of 1

**PILZ**