

Tamper-proof protection for screws

Installation

Note:

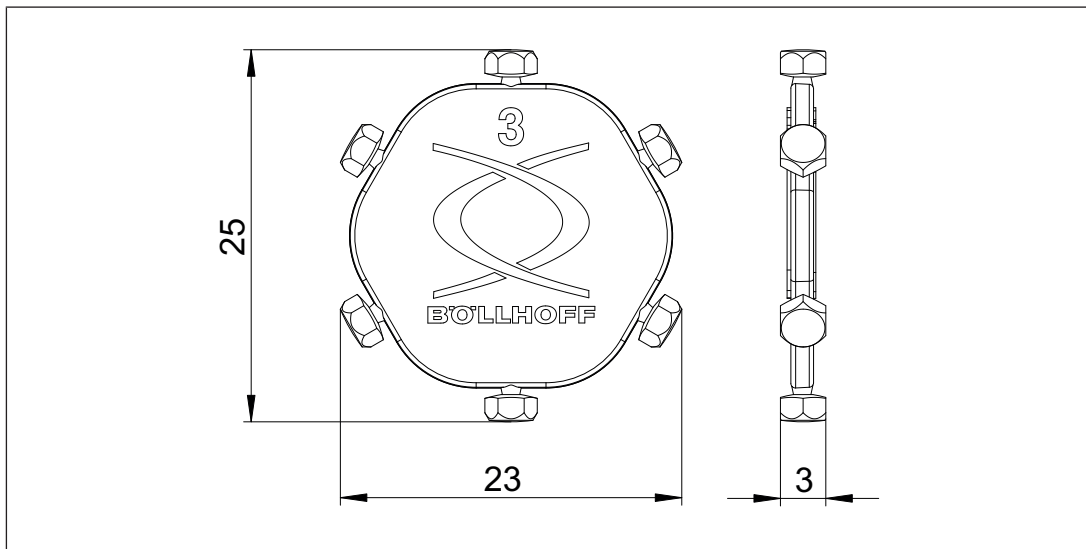
- ▶ The locking elements are intended for use in hexagon socket screws with countersunk screw heads.
- ▶ If the screw heads are deeply countersunk, you must loosen the locking elements individually and press them into the screw heads by hand.
- ▶ If the screw heads cannot be countersunk, we recommend you use raised head screws.

Removal

- ▶ A drill can be used to drill out the locking elements. Drilling may damage the product. Only use this procedure at the end of the product's life.

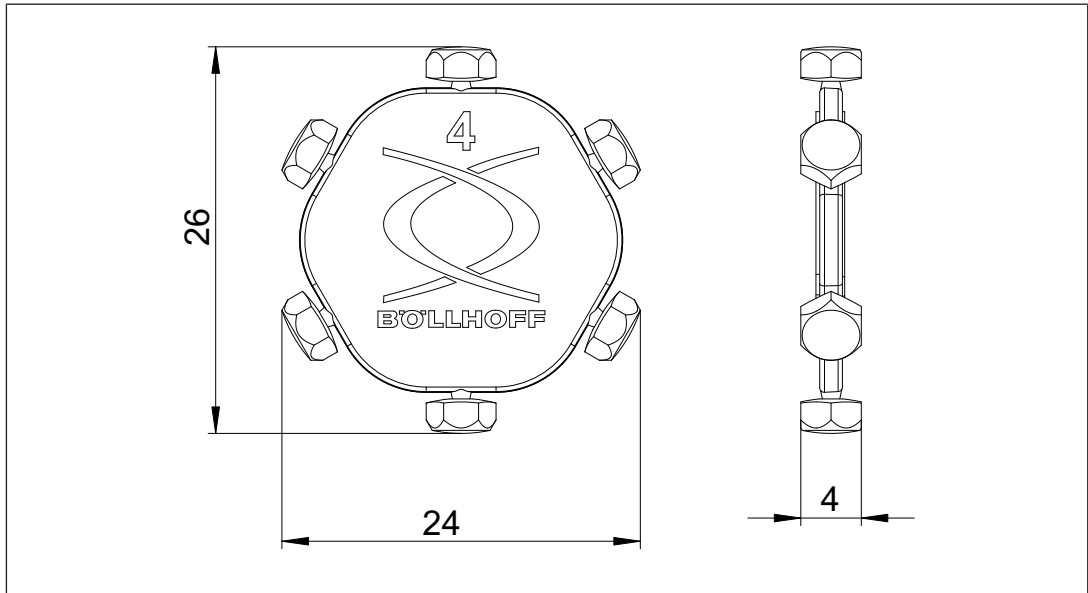
Dimensions in mm

- ▶ PPHD030G (Order no. Z9000064)

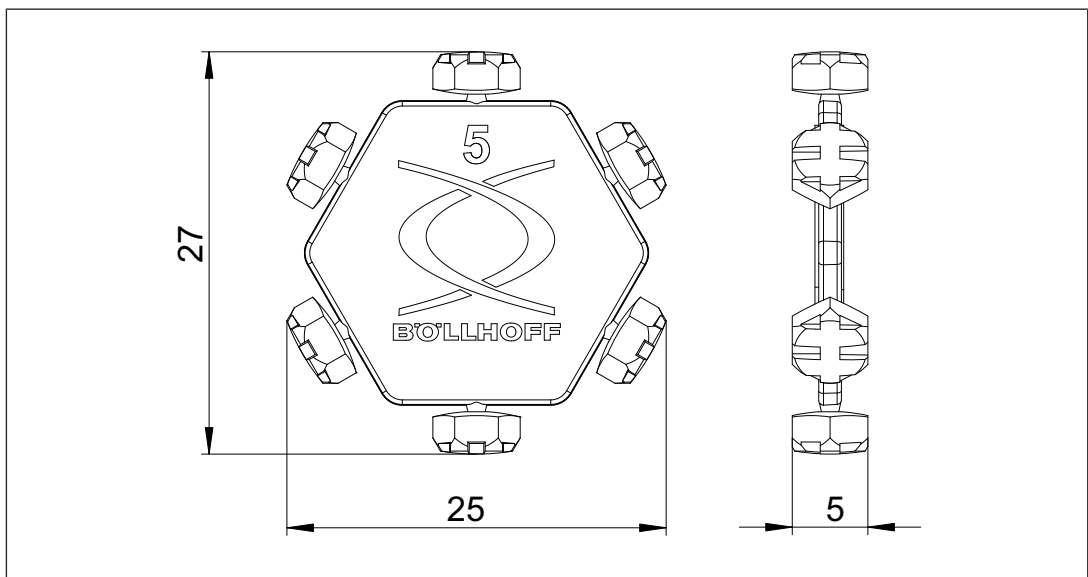


Tamper-proof protection for screws

► PPHD040G (Order no. Z9000065)

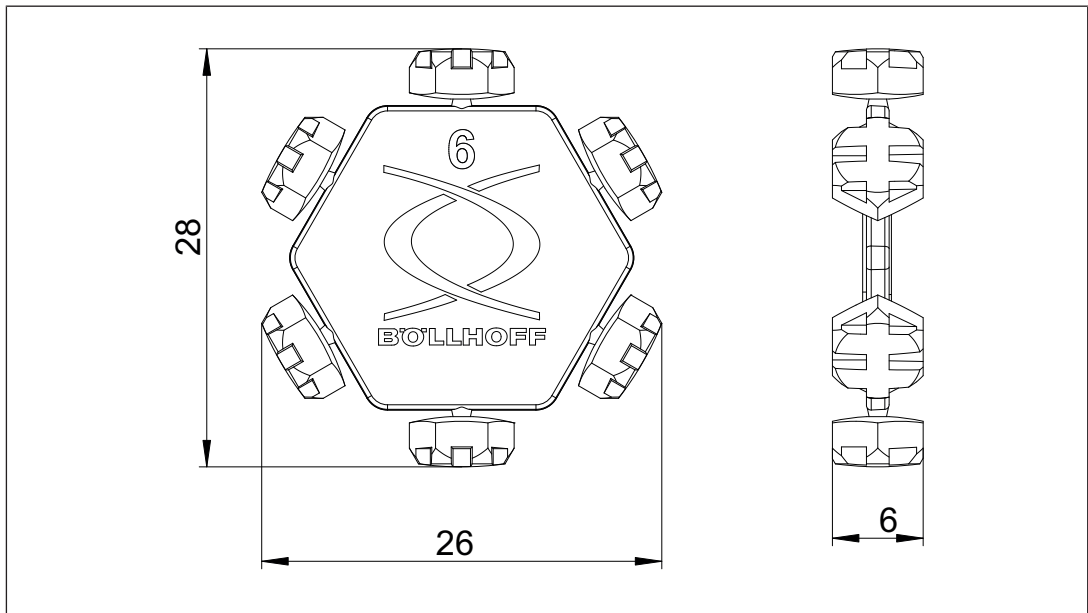


► PPHD050G (Order no. Z9000066)

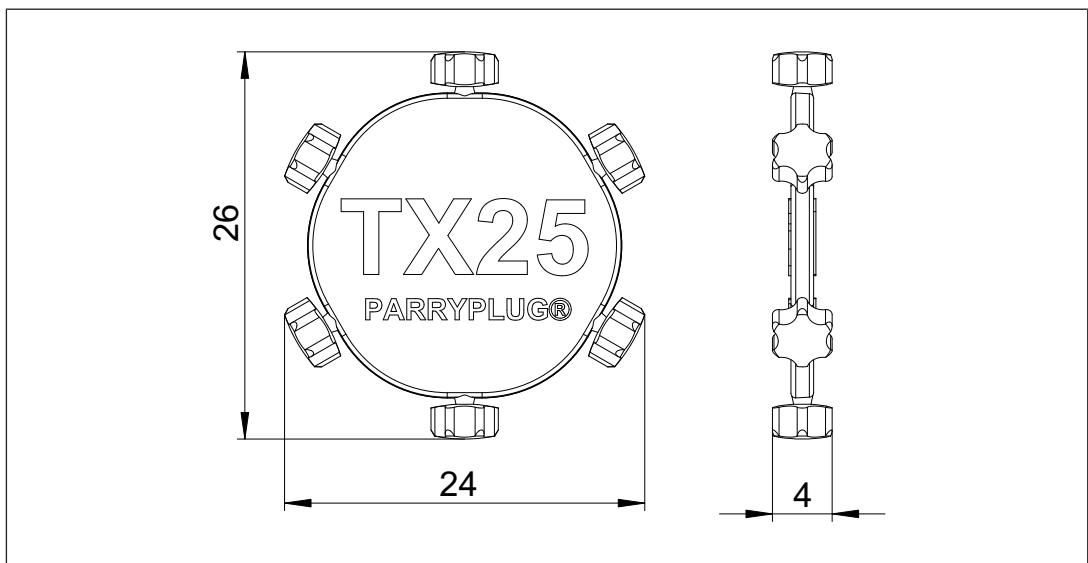


Tamper-proof protection for screws

► PPHD060G (Order no. Z9000067)



► PPTX25G (Order no. Z9000068)



Accessories

Tamper-proof protection for screws

Technical details

Environmental data	Z9000064	Z9000065	Z9000066	Z9000067	Z9000068
Ambient temperature					
Temperature range	-30 - 160 °C	-30 - 160 °C	-30 - 160 °C	-30 - 160 °C	-30 - 160 °C
Storage temperature					
Temperature range	-30 - 160 °C	-30 - 160 °C	-30 - 160 °C	-30 - 160 °C	-30 - 160 °C
Mechanical data	Z9000064	Z9000065	Z9000066	Z9000067	Z9000068
Material	PBT GF30	PBT GF30	PBT GF30	PBT GF30	PBT GF30
Dimensions					
Height	24,6 mm	25,6 mm	26,6 mm	27,6 mm	25,6 mm
Width	22,6 mm	23,7 mm	25,1 mm	26,5 mm	20,8 mm
Depth	1,5 mm	1,5 mm	1,5 mm	1,5 mm	1,5 mm
Weight	81 g	122 g	126 g	160 g	91 g

Order reference

Product type	Features	Order no.
PPHD030G	Tamper-proof protection for 6 hexagon socket screws, wrench size 3, PU 100 pieces	Z9000064
PPHD040G	Tamper-proof protection for 6 hexagon socket screws, wrench size 4, PU 100 pieces	Z9000065
PPHD050G	Tamper-proof protection for 6 hexagon socket screws, wrench size 5, PU 100 pieces	Z9000066
PPHD060G	Tamper-proof protection for 6 hexagon socket screws, wrench size 6, PU 100 pieces	Z9000067
PPTX25G	Tamper-proof protection for 6 hexagon socket screws, wrench size 25, PU 100 pieces	Z9000068