



RJ45 Connector

PILZ
THE SPIRIT OF SAFETY

► Accessories

This document is a translation of the original document.

All rights to this documentation are reserved by Pilz GmbH & Co. KG. Copies may be made for internal purposes. Suggestions and comments for improving this documentation will be gratefully received.

Source code from third-party manufacturers or open source software has been used for some components. The relevant licence information is available on the Internet on the Pilz homepage.

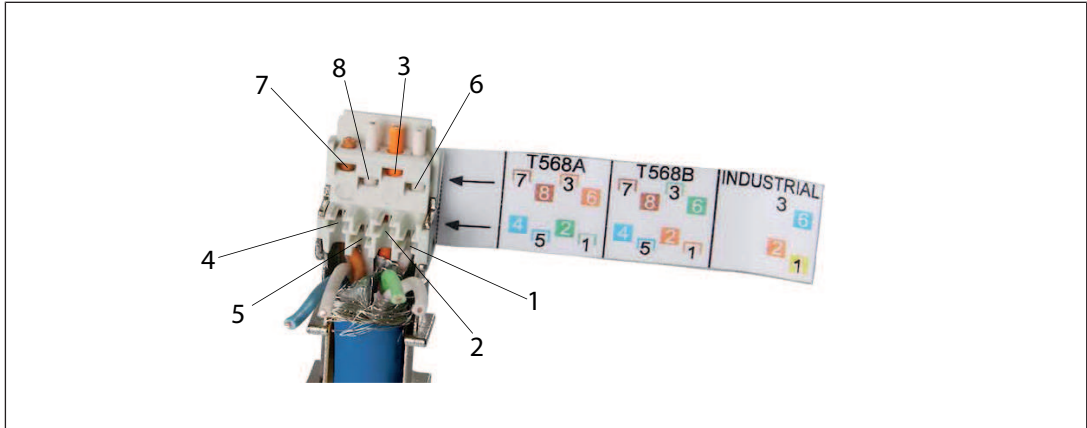
Pilz®, PIT®, PMI®, PNOZ®, Primo®, PSEN®, PSS®, PVIS®, SafetyBUS p®, SafetyEYE®, SafetyNET p®, the spirit of safety® are registered and protected trademarks of Pilz GmbH & Co. KG in some countries.



SD means Secure Digital

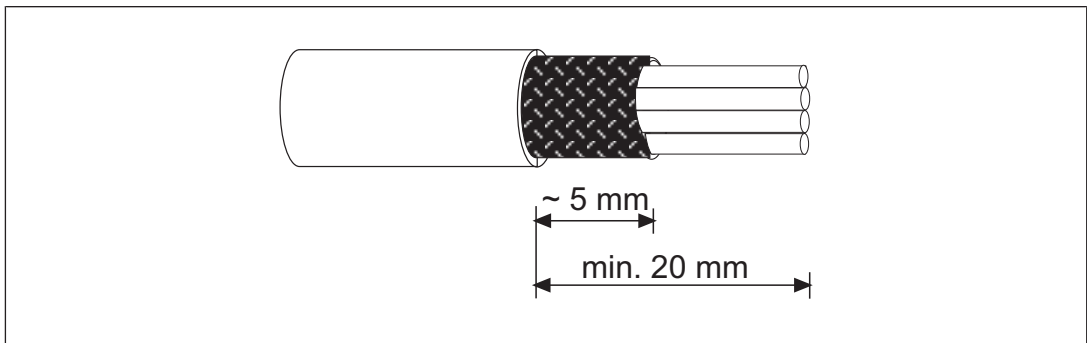
Plug-in connector RJ45

Connector pin assignment

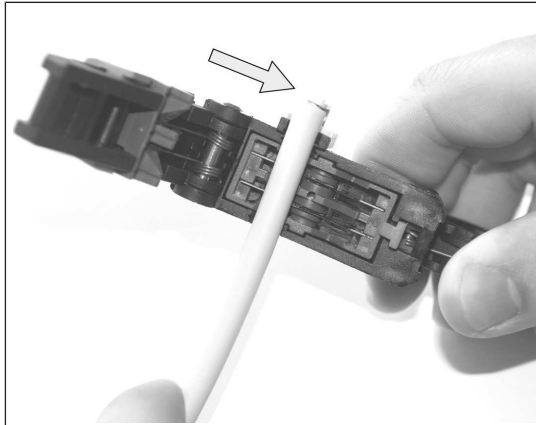


PIN	T568A	T568B	SafetyNET p
1	white-green	white-orange	yellow
2	green	orange	orange
3	white-orange	white-green	white
4	blue	blue	-
5	white-blue	white-blue	-
6	orange	green	blue
7	white-brown	white-brown	-
8	brown	brown	-

Recommended stripping length

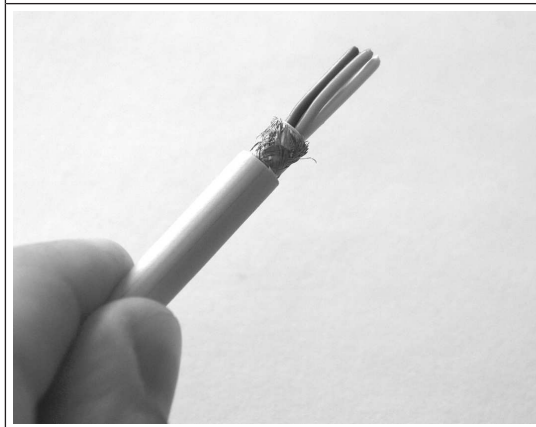


Strip wires



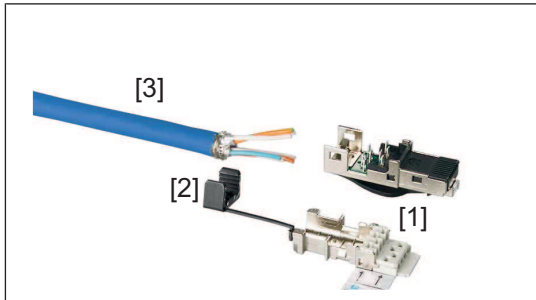
It is essential to refer to the operating instructions enclosed with the stripping tool before using the tool.

Remove the cable insulation and shorten the braided shield in accordance with the stripping length [Recommended stripping length](#) [3])

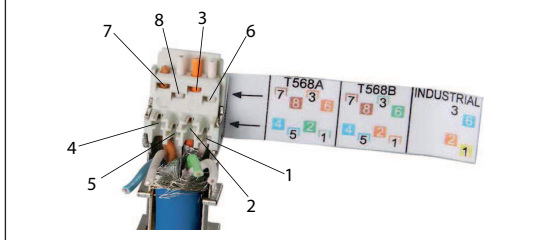


Untwist the wires.

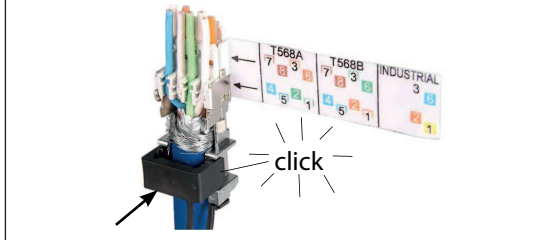
Assemble connectors



[1]: Connector
[2]: Strain relief
[3]: Cable



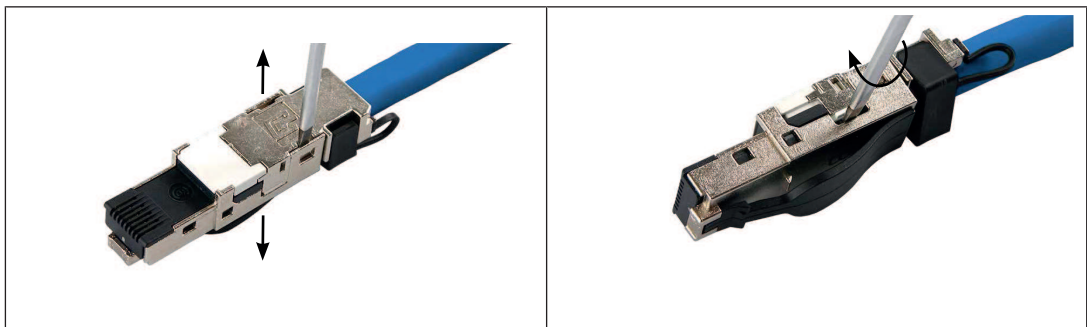
Guide the individual wires into the terminals in accordance with the connector pin assignment (see [Connector pin assignment](#) [3]).



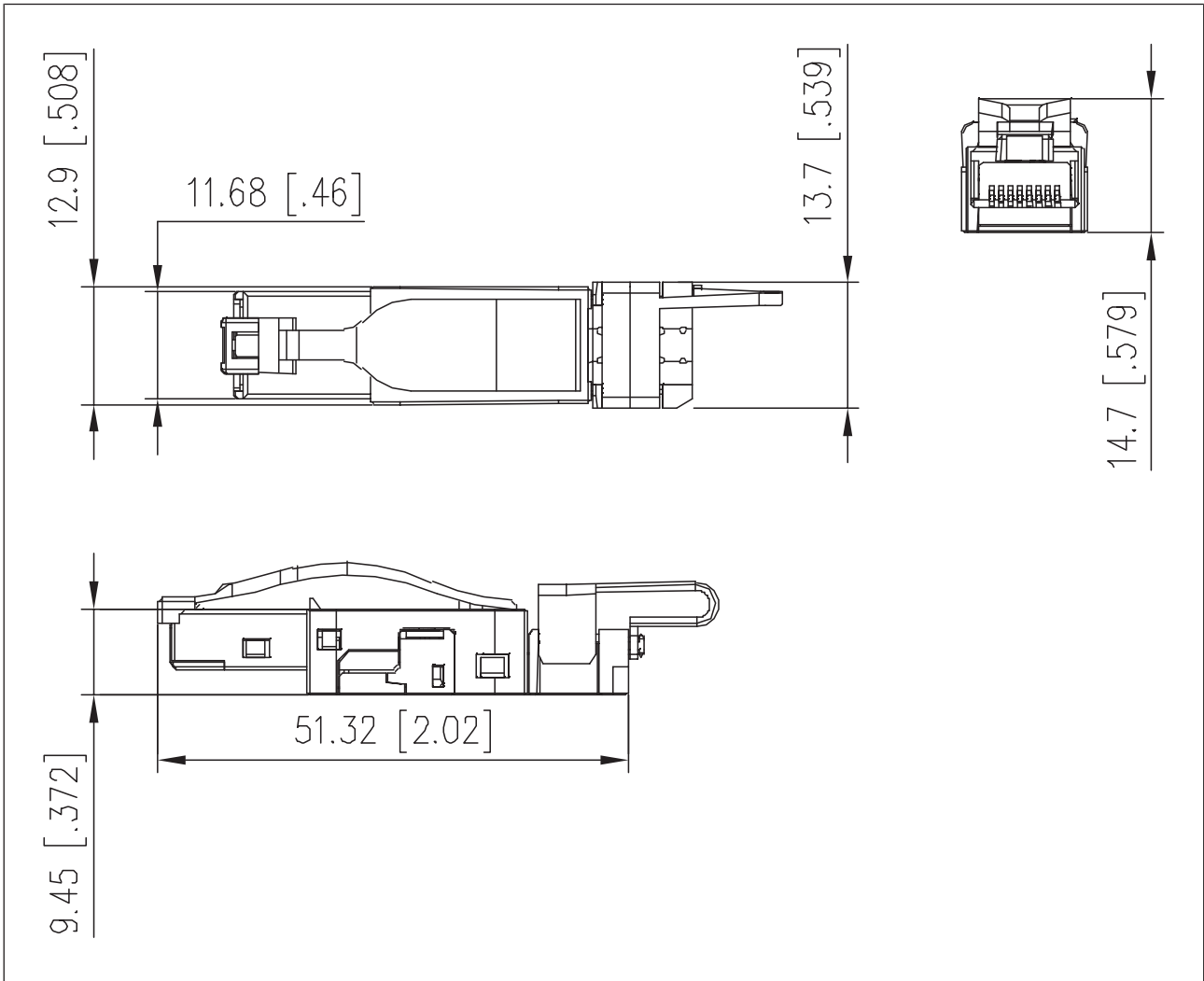
Fix the cable strain relief at the connector. Make sure that it clearly locks into position.

	<p>Cut off the cable ends flush. Use a precision side cutter to do this.</p>
	<p>Assemble the 2 connector components. Make sure that they clearly lock into position.</p>

Open connector housing



Dimensions in mm



Technical details

General	
Approvals	-
Electrical data	
Supply voltage	
Current load capacity at UB	1 A
Insulation resistance	500 MOhm
Environmental data	
Ambient temperature	
Temperature range	-30 - 90 °C
Storage temperature	
Temperature range	-30 - 90 °C
Protection type	
X1 when inserted	IP20

Mechanical data	
Plug-in connector X1	8-pin RJ45 male connector
In accordance with the standard	IEC 60603-7-1
Form, plug-in connector X1	Straight
Category, plug-in connector X1	Cat 6a
Housing material X1	GD-Zn
Material of contact surface X1	Ni, Au gal.
Material of pin	Cu alloy
Mating cycles X1	750
Material of shield surface cable K1	Ni
Colour of housing	Silver
Max. cable diameter K1	5,5 - 8,5 mm
Max. conductor cross section K1	0,355 mm²
Max. conductor cross section AWG K1	22
Shielding K1	yes
Approval of plug-in connector X1	UL1863
Material	
Housing	GD-Zn
Weight	12 g

Order reference

Product type	Features	Order no.
RJ45 Connector		380 401
Stripping tool	Stripping tool for SafetyNET p cable, 1 set	380 070
SafetyNET p Cable	4-core	380 000

► Support

Technical support is available from Pilz round the clock.

Americas

Brazil
+55 11 97569-2804

Canada
+1 888-315-PILZ (315-7459)

Mexico
+52 55 5572 1300

USA (toll-free)
+1 877-PILZUSA (745-9872)

Asia

China
+86 21 60880878-216

Japan
+81 45 471-2281

South Korea
+82 31 450 0680

Australia

+61 3 95446300

Europe

Austria
+43 1 7986263-0

Belgium, Luxembourg
+32 9 3217575

France
+33 3 88104000

Germany
+49 711 3409-444

Ireland
+353 21 4804983

Italy
+39 0362 1826711

Scandinavia

+45 74436332

Spain

+34 938497433

Switzerland

+41 62 88979-30

The Netherlands

+31 347 320477

Turkey

+90 216 5775552

United Kingdom

+44 1536 462203

You can reach our international hotline on:

+49 711 3409-444
support@pilz.com

Pilz develops environmentally-friendly products using ecological materials and energy-saving technologies. Offices and production facilities are ecologically designed, environmentally-aware and energy-saving. So Pilz offers sustainability, plus the security of using energy-efficient products and environmentally-friendly solutions.



Pilz GmbH & Co. KG
Felix-Wankel-Straße 2
73760 Ostfildern, Germany
Tel.: +49 711 3409-0
Fax: +49 711 3409-133
info@pilz.com
www.pilz.com

