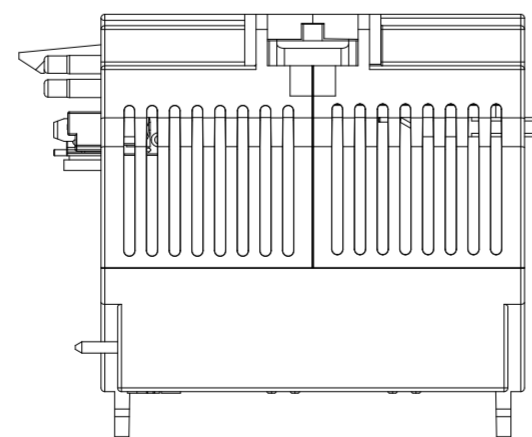
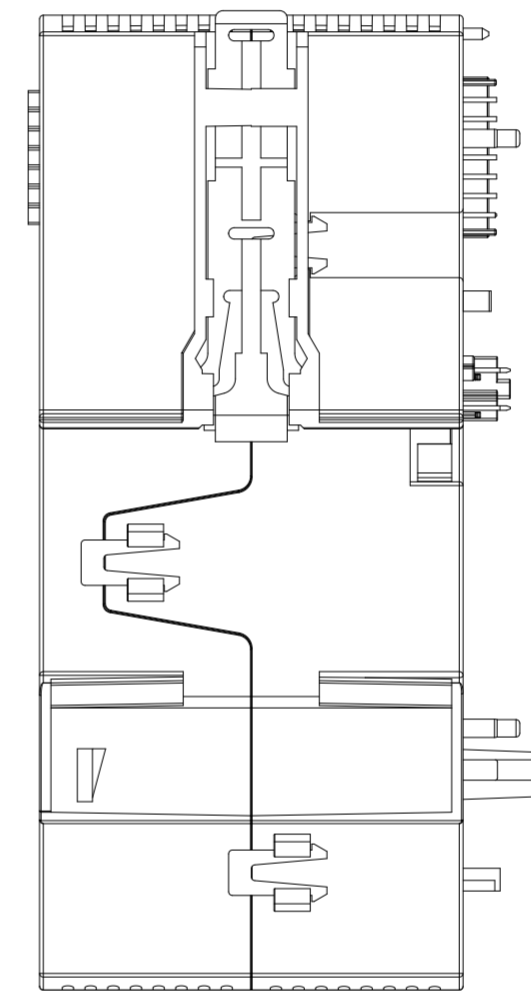
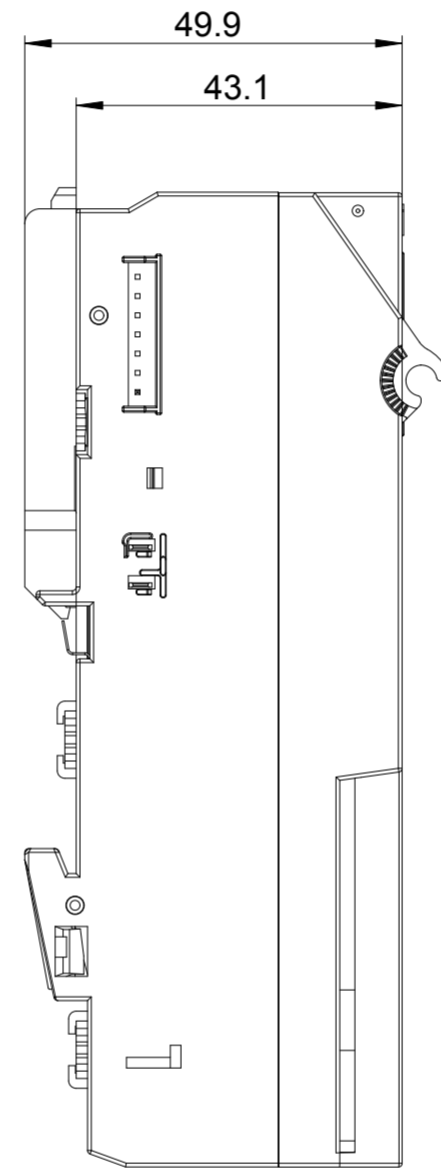
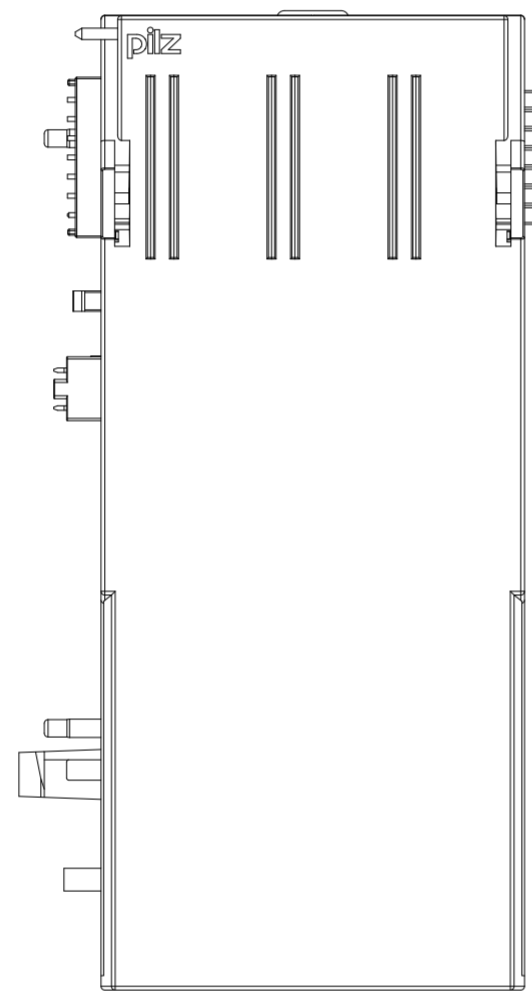
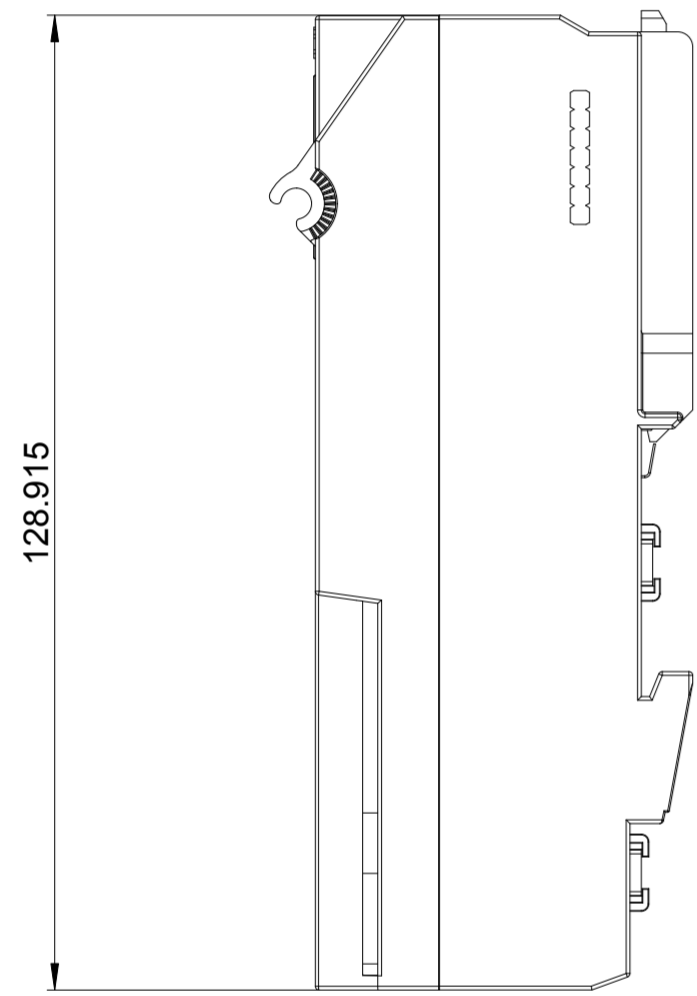
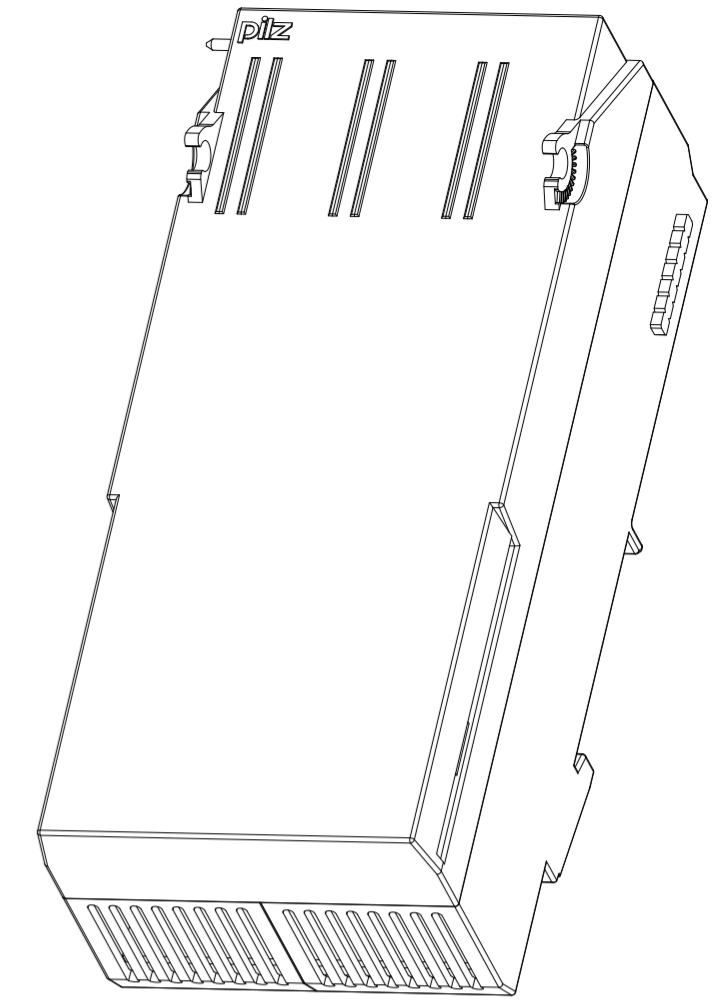
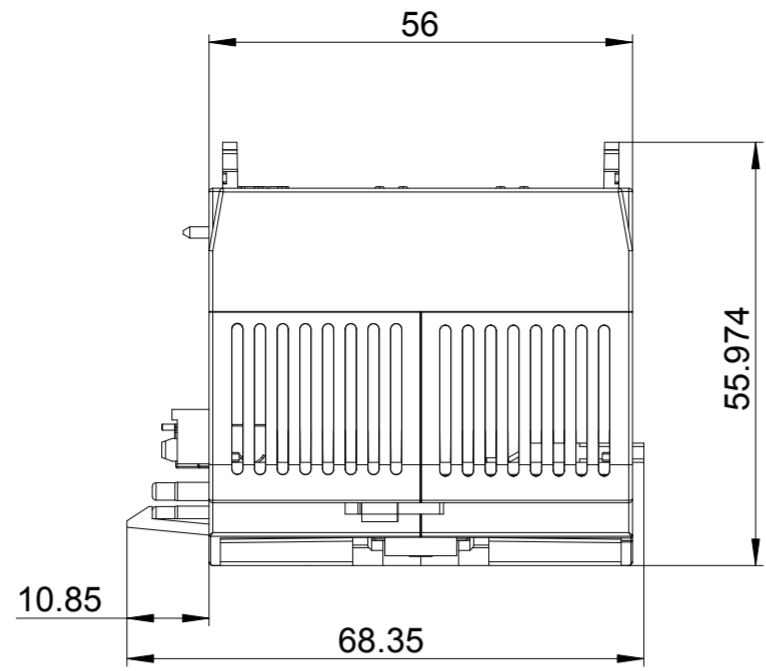


1 2 3 4 5 6 7 8

A  
B  
C  
D  
E  
F



-	20120240	17.11.2014	PD-SUP-MD	WINKLER	Neue Zeichnung. New drawing.	
Index	ECO no.	Date	Editor	Checked	Date	Name
Scale	1:1				17.11.2014	PD-SUP-MD
Material					17.11.2014	PD-SUP-MD
					-	-
Surface					All dimensions are in mm	
					Unspecified tolerance	
					Doc.-No.	2016716
					Mat.-No.	-
					Page	1
					of	1



Observe protection note to DIN 34