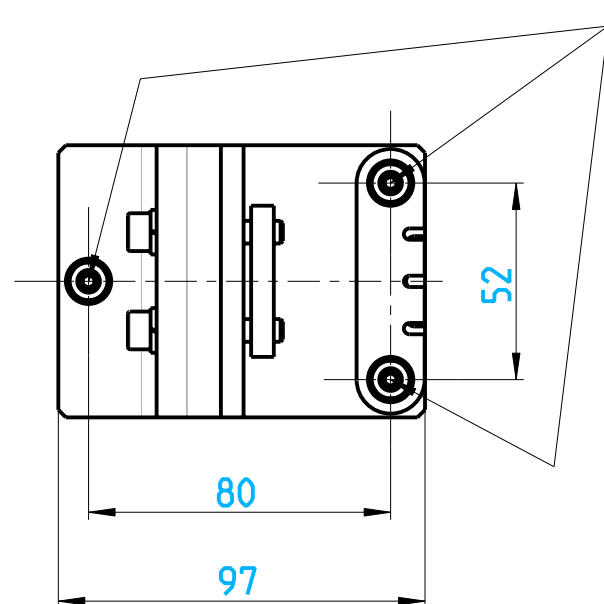
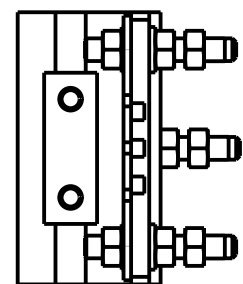
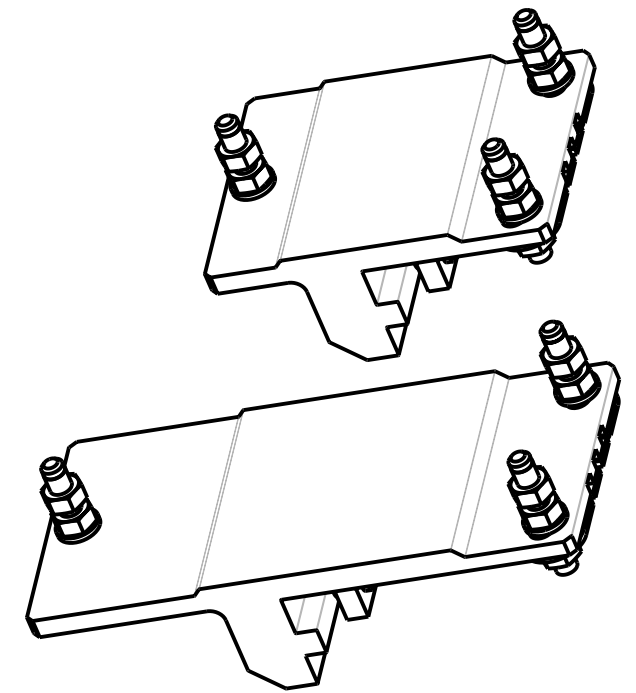
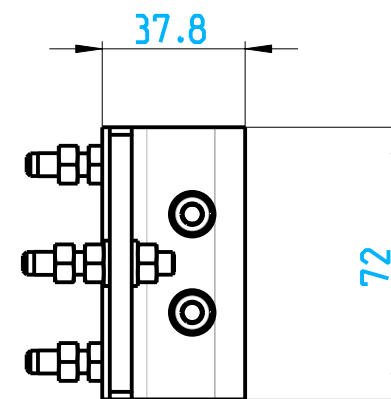
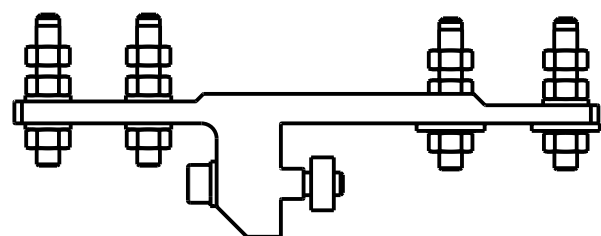
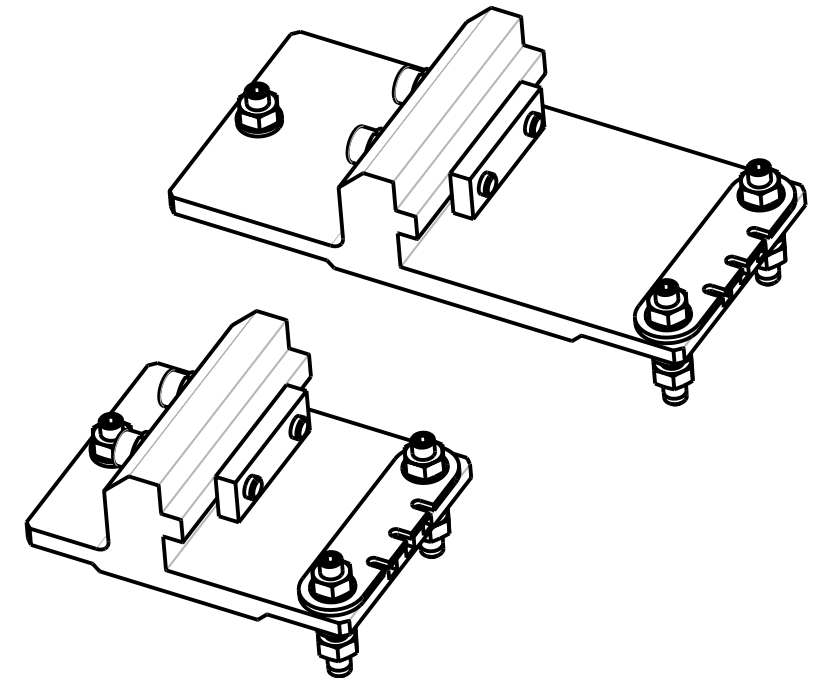
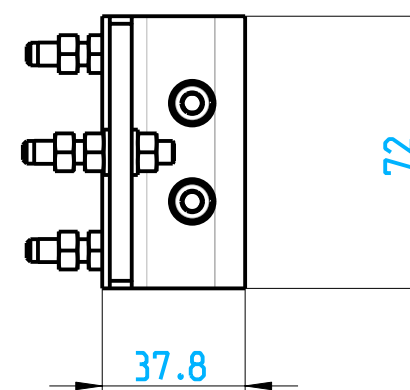


Gewindestifte zur Montage am Empfänger/
Set screws for mounting on the receiver



Gewindestifte zur Montage am Sender/
Set screws for mounting on the transmitter



Observe protection note to DIN 34

-	20100326	20.08.2010	EP-MK	EP-MK	Neue Zeichnung/ new drawing	
Index	ECD no.	Date	Editor	Checked	Date	Name
Scale					20.08.2010	EP-MK
1:2					20.08.2010	EP-MK
Material						
-						
-						
Surface						
-						
All dimensions are in mm					MODEL: 2007745	
Unspecified tolerance					DRW: 2007744	
					Internet Dokument	
					Internet document	
					PSEnvip AP	
					Doc.-No. 2007744	
					Page 1	
					Mat.-No. -	
					of 1	

