

1 2 3 4 5 6 7 8

A

B

C

D

E

F

A

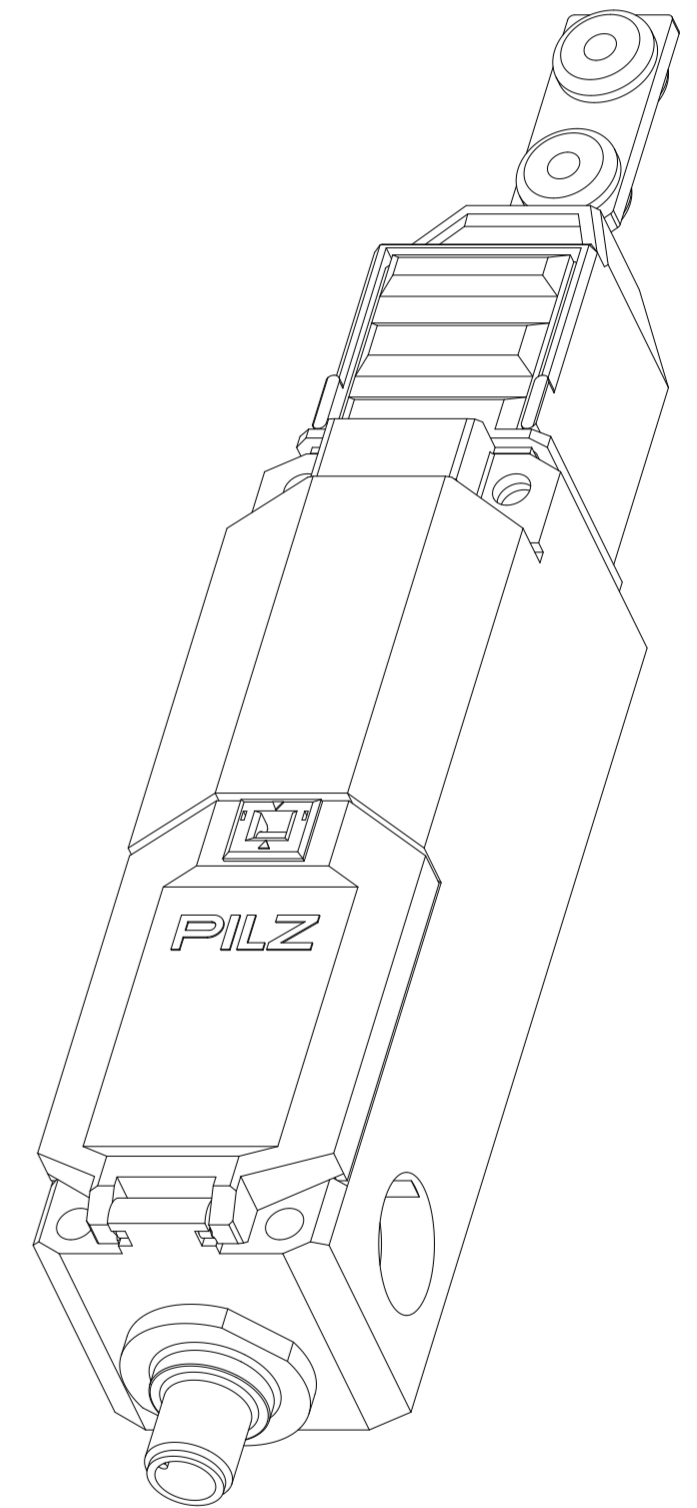
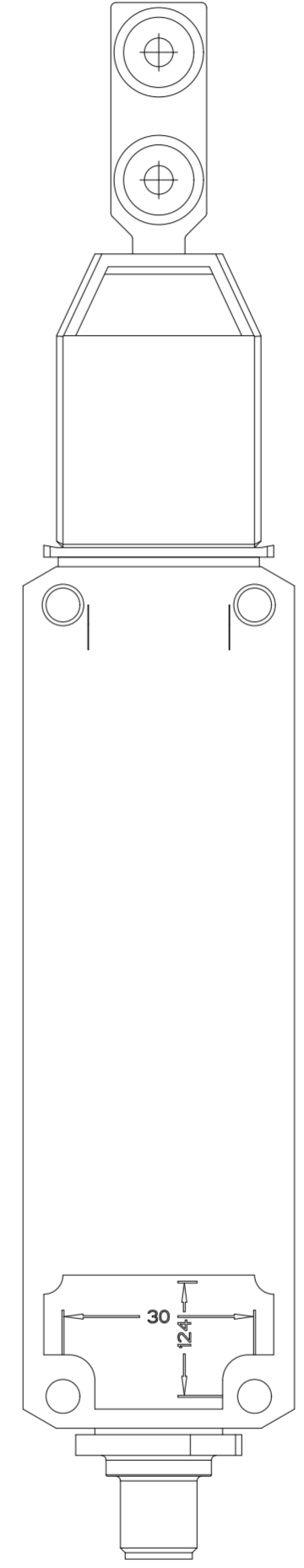
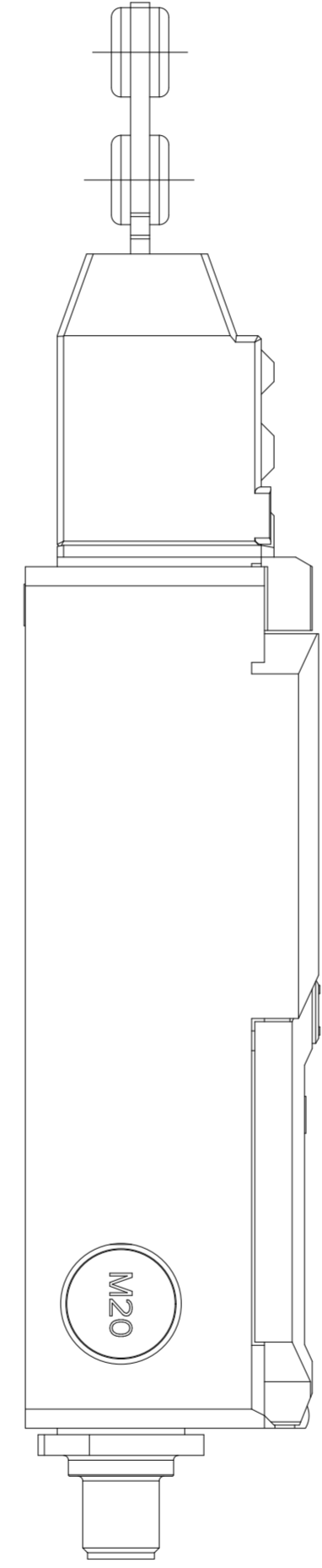
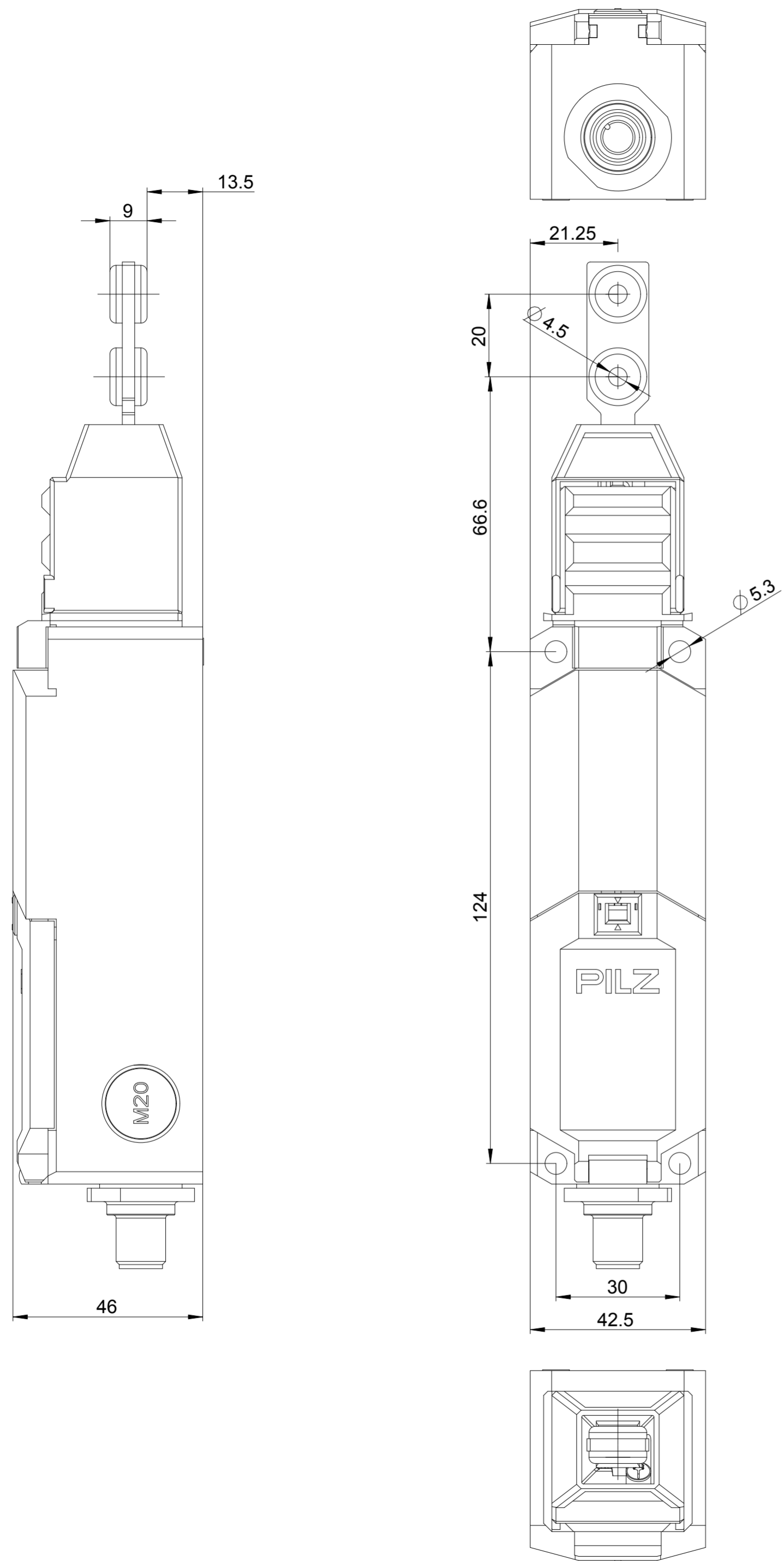
B

C

D

E

F



Index	20180289	08.08.2019	PD-SUP-MCPD-SUP-MD	Neue Zeichnung. New drawing.	
Scale	1:1		Editor	Checked	
Material			Date	Name	MODEL: 2028518 DRW: 2028519
			Created	08.08.2019	PD-SUP-MD
			Checked	08.08.2019	PD-SUP-MD
			Norm	-	-
Surface			All dimensions are in mm		
			Unspecified tolerance		Doc.-No. 2028519 Page 1
					Mat.-No. - of 1

Observe protection note to DIN 34

