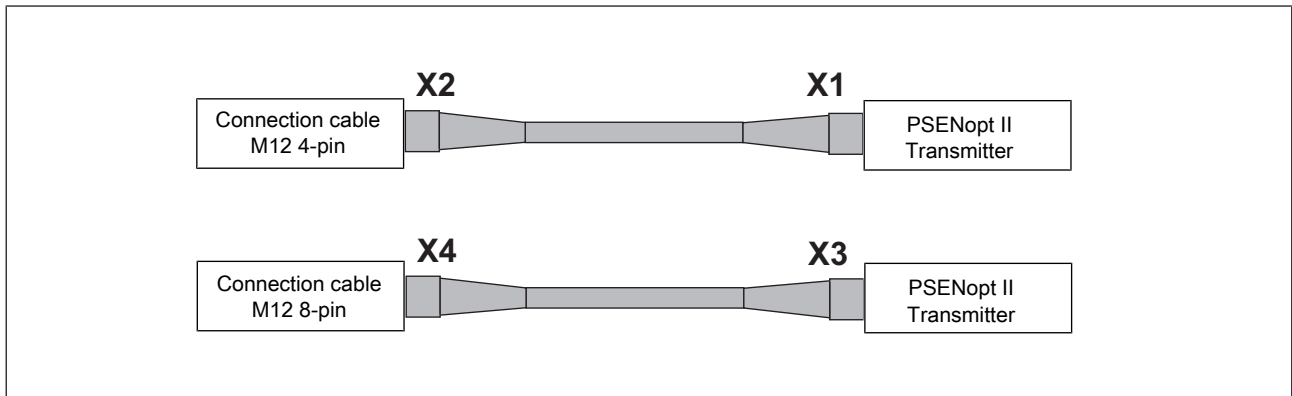


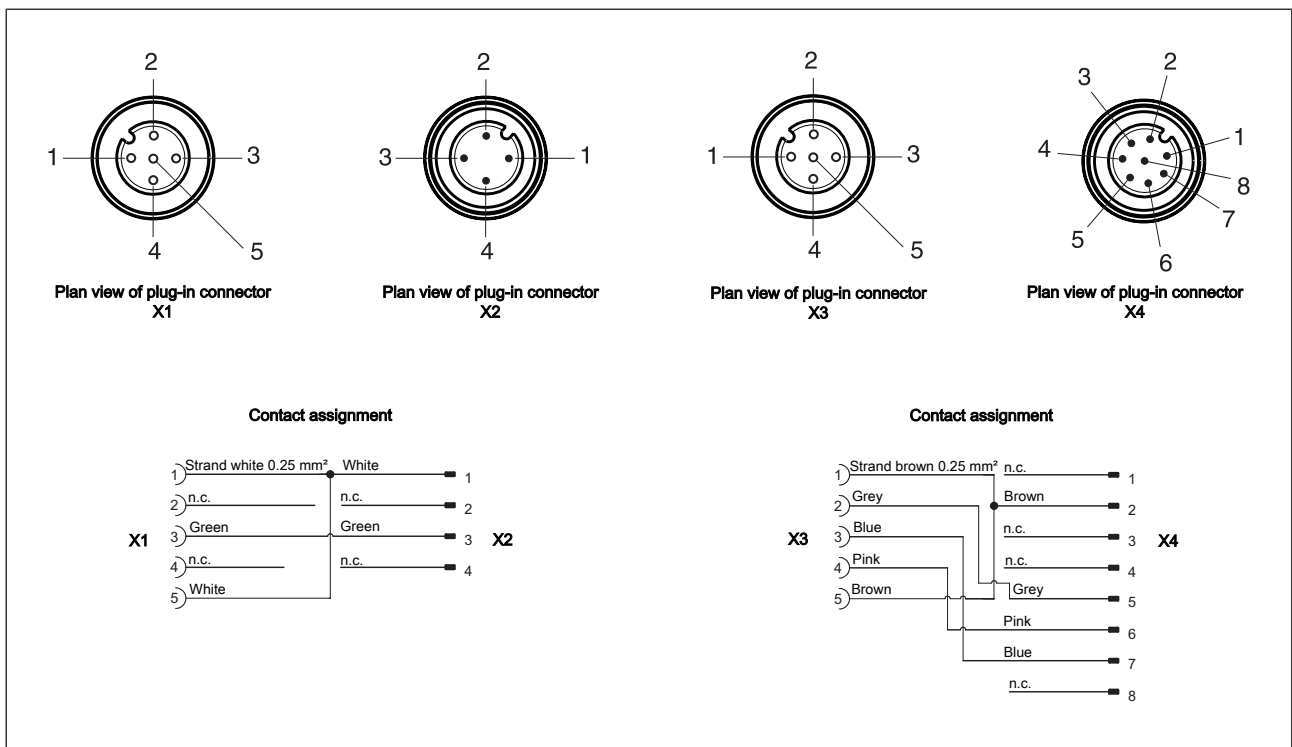
Accessories

PSEN opII-PSEN op/1 adapt. set

Connection



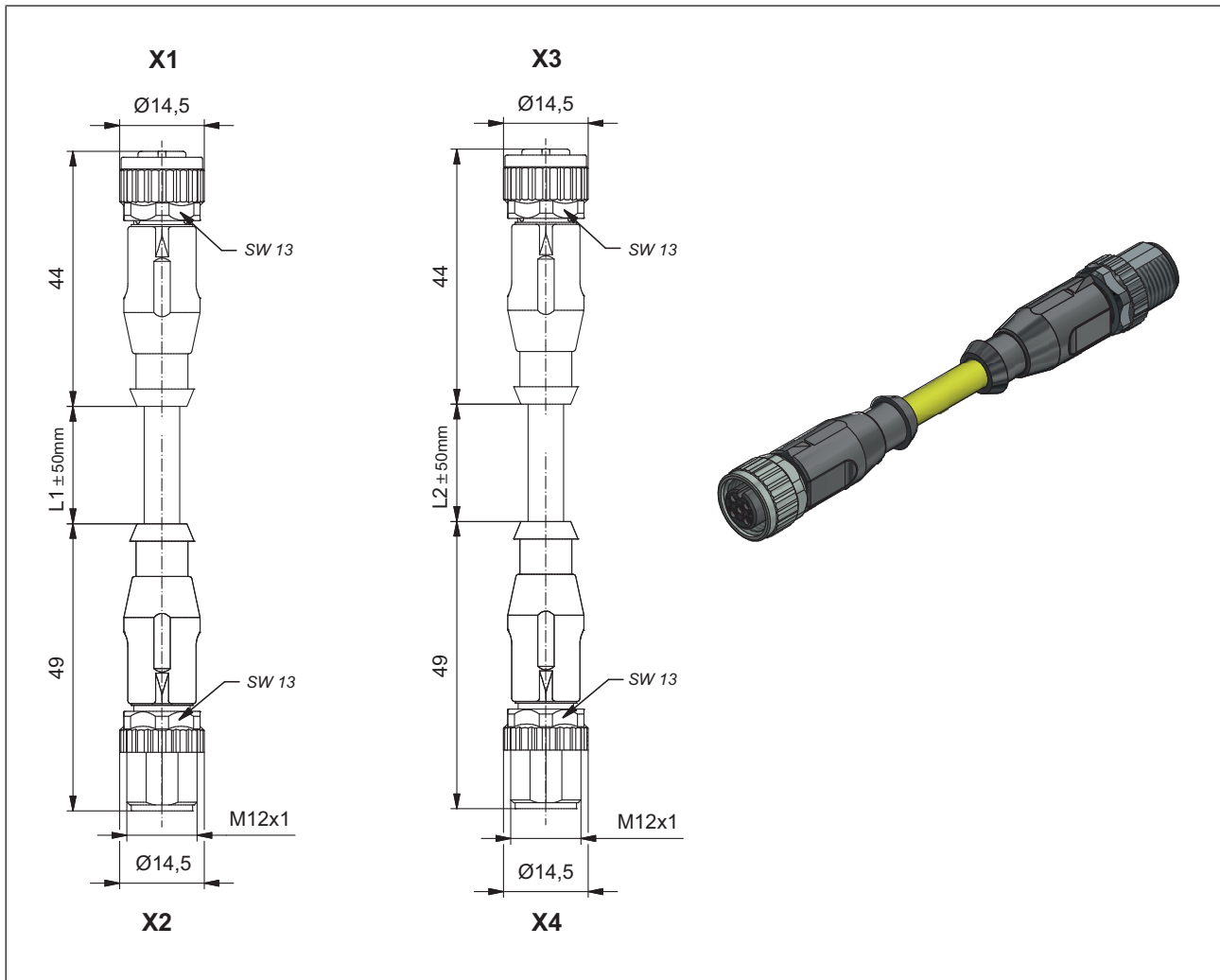
Connector pin assignment



Accessories

PSEN opII-PSEN op/1 adapt. set

Dimensions in mm



Accessories

PSEN opII-PSEN op/1 adapt. set

Technical details

Electrical data

Rated voltage	
Voltage UB	30 V
Rated current	2 A
Test voltage	3.000 V
Typ. conductor resistance K1	78 Ohm/km
Typ. conductor resistance K2	78 Ohm/km
Insulation resistance	100 MOhm

Environmental data

Ambient temperature	
Temperature range	-30 - 80 °C
Temperature range (moving)	-25 - 80 °C
Airgap creepage	
Pollution degree	2
Protection type	
X1 when inserted	IP67 when screwed in place
X2 when inserted	IP67 when screwed in place
X3 when inserted	IP67 when screwed in place
X4 when inserted	IP67 when screwed in place
Housing	IP67 when screwed in place

Mechanical data

Plug-in connector X1	M12, 5-pin female connector
In accordance with the standard	EN 61076-2-101
Form, plug-in connector X1	Straight
Coding of plug-in connector X1	A-coded
Plug-in connector X2	M12, 4-pin male connector
In accordance with the standard	EN 61076-2-101
Form, plug-in connector X2	Straight
Coding of plug-in connector X2	A-coded
Plug-in connector X3	M12, 5-pin female connector
In accordance with the standard	EN 61076-2-101
Design of plug-in connector X3	Straight
Coding of plug-in connector X3	A-coded
Plug-in connector X4	M12, 8-pin male connector
In accordance with the standard	EN 61076-2-101
Design of plug-in connector X4	Straight
Coding of plug-in connector X4	A-coded
Material of ring nut X1	GD-Zn, Ni
Material of ring nut X2	GD-Zn, Ni

Accessories

PSEN opII-PSEN op/1 adapt. set

Mechanical data	
Material of ring nut X3	GD-Zn, Ni
Material of ring nut X4	GD-Zn, Ni
Housing material X1	TPU, UL94 HB
Housing material X2	TPU, UL94 HB
Housing material X3	TPU, UL94 HB
Housing material X4	TPU, UL94 HB
Material of contact surface X1	Ni b / Au 0,2 gal.
Material of contact surface X2	Ni b / Au 0,2 gal.
Material of contact surface X3	Ni b / Au 0,2 gal.
Material of contact surface X4	Ni b / Au 0,2 gal.
Material of contact body	PA, UL 94 V-0
Material of gasket	FPM
Material of pin	CuZn
Material of socket	CuZn
Conductor material K1	Cu
Conductor material K2	Cu
Insulating cover for conductor K1	PP (9Y)
Insulating cover for conductor K2	PP (9Y)
Mating cycles X1	100
Mating cycles X2	100
Mating cycles X3	100
Mating cycles X4	100
Cable type K1	Li9Y11Y
Cable type K2	Li9Y11Y
Cable length L1	0,15 m
Cable length L2	0,15 m
Colour of external cable insulation K1	Signal yellow, RAL1003
Colour of external cable insulation K2	Signal yellow, RAL1003
Colour of housing	black
Cable insulation material K1	TPU/TPE-U
Cable insulation material K2	TPU/TPE-U
Drag chain suitable K1	No
Drag chain suitable K2	No
Min. bending radius (fixed permanently) K1	3 x Ø
Min. bending radius (fixed permanently) K2	3 x Ø
Min. bending radius (moving) K1	10 x Ø
Min. bending radius (moving) K2	10 x Ø
Cable diameter K1	6 mm
Cable diameter K2	6 mm
Max. cable diameter K1	6,2 mm

Accessories

PSEN opII-PSEN op/1 adapt. set

Mechanical data

Max. cable diameter K2	6,2 mm
Conductor cross section K1	0,25 mm²
Conductor cross section K2	0,25 mm²
Wire colour K1	White, brown, green, yellow, grey, pink, blue, red
Wire colour K2	White, brown, green, yellow, grey, pink, blue, red
Stranding K1	8 cores around filler
Stranding K2	8 Adern um Füller
Shielding K1	No
Shielding K2	No
No. of wires K1	8
No. of wires K2	8
Certification cable K1	UL AWM-Style 20549
Certification cable K2	UL AWM-Style 20549
Certification plug-in connector X1	UL 94 HB
Certification plug-in connector X2	UL 94 HB
Certification plug-in connector X3	UL 94 HB
Approval of plug-in connector X4	UL 94 HB
Halogen-free	yes
Silicone-free	No
Oil resistance	Resistant
Non-flammability	cULus 20549
Torque of the interlock screw	0,6 Nm
Weight	53 g

Order reference

Product type	Features	Connector X1	Connector X2	Connector X3	Connector X4	Order no.
PSEN opII-PSEN op/1 adapter set	Set of 2 adapter cables for transmitter and receiver	M12, 5-pin female connector	M12, 4-pin male connector	M12, 5-pin female connector	M12, 8-pin male connector	632 013