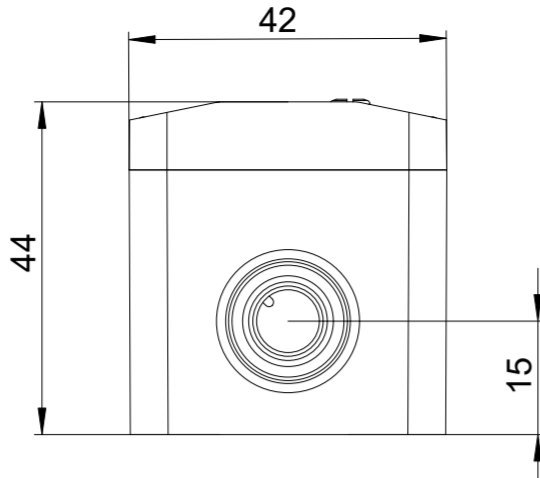


1 2 3 4 5 6 7 8

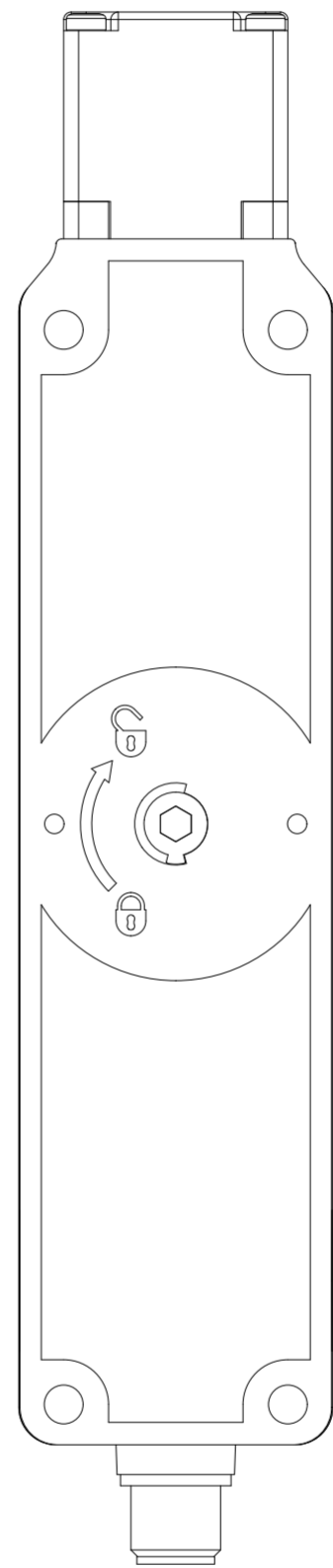
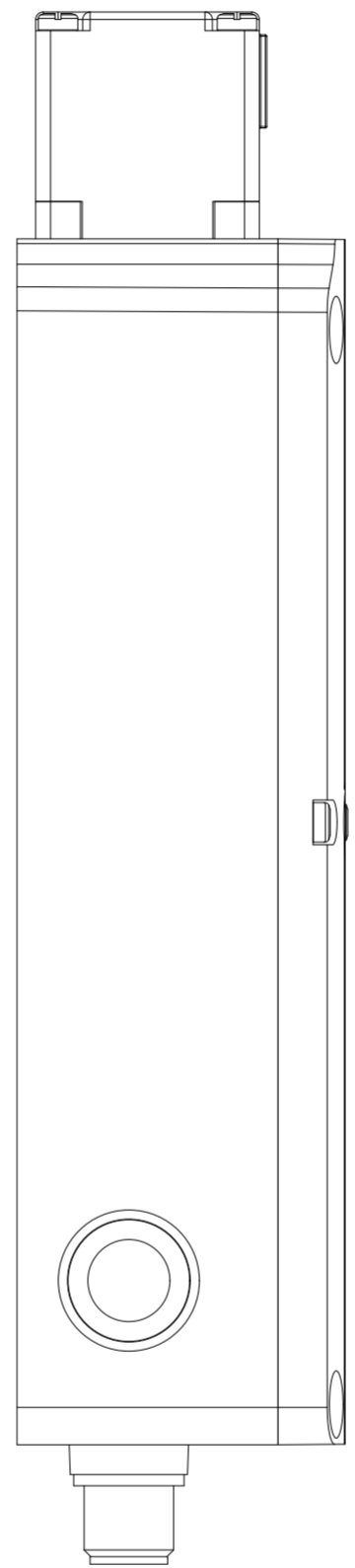
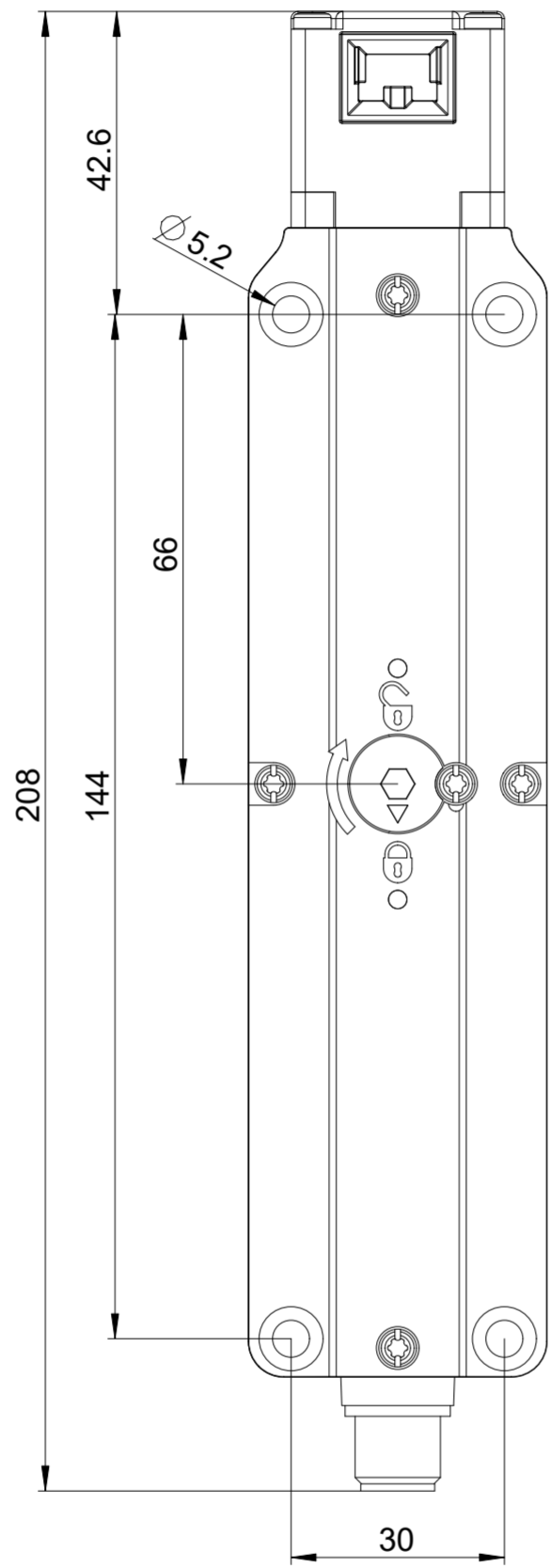
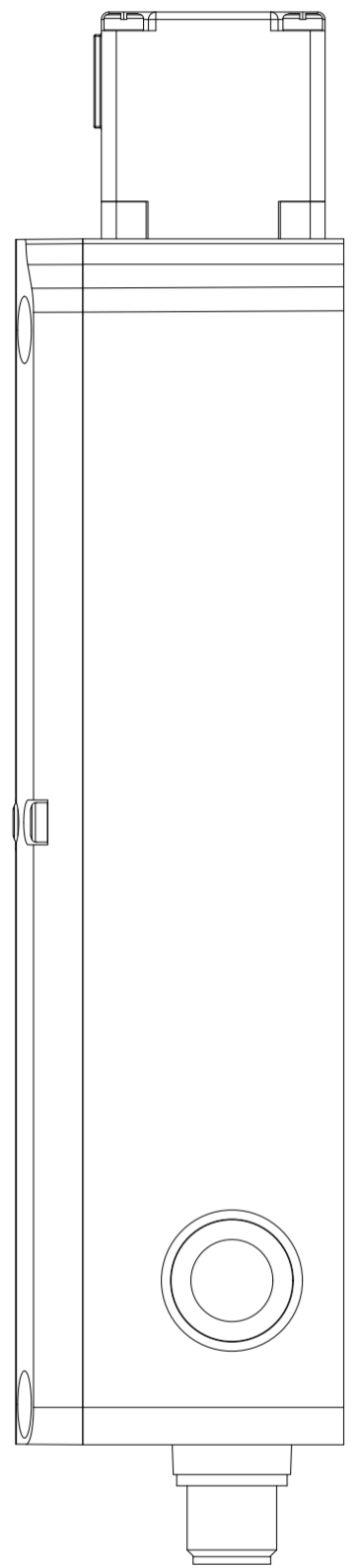
A

A



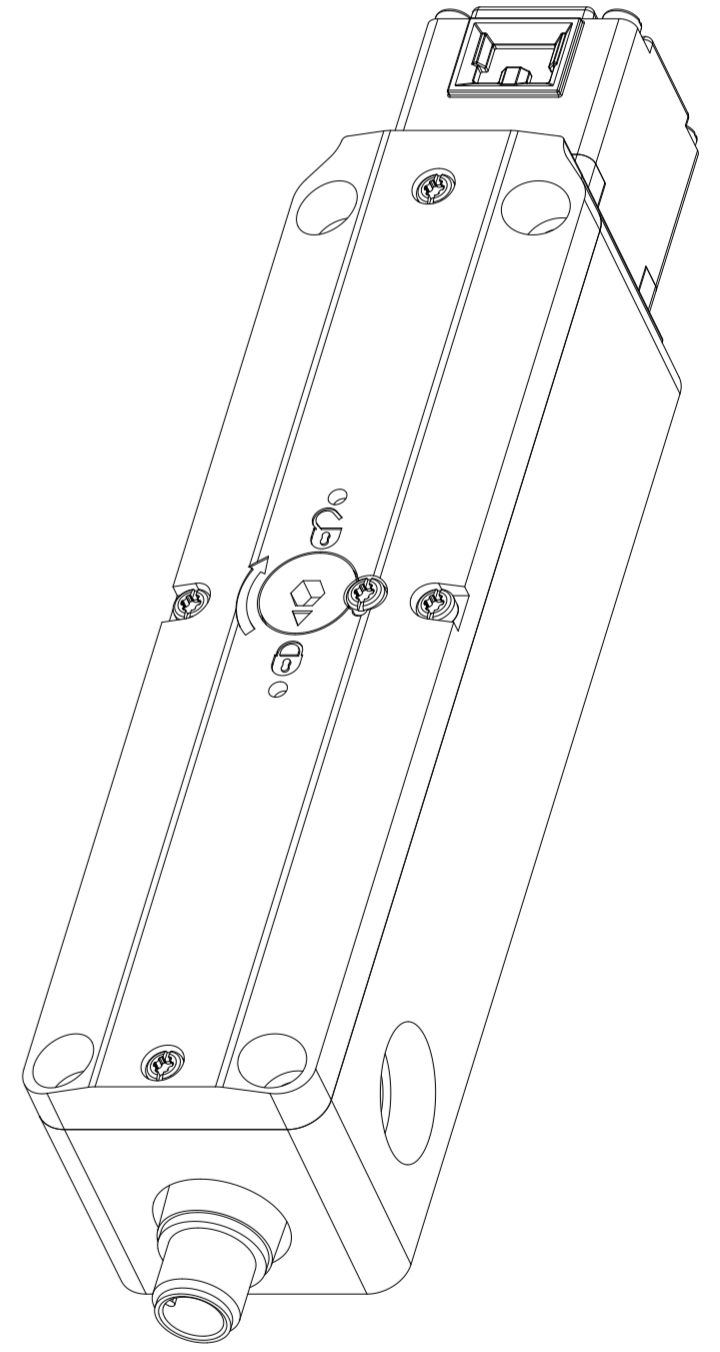
B

B



C

C

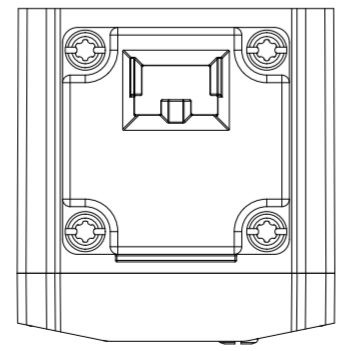


D

D

E

E



F

F

1 2 3 4 5 6 7 8

-	20200072	05.06.2020	PD-SUP-MCPD-SUP-MD	Neue Zeichnung. New drawing.
Index	ECO no.	Date	Editor	Checked
Scale	1:1			
Material				
Surface				
All dimensions are in mm			MODEL: 2029232	DRW: 2029233
Unspecified tolerance			Doc.-No. 2029233	Page 1
			Mat.-No. -	of 1

Refer to protection notice ISO 18016

