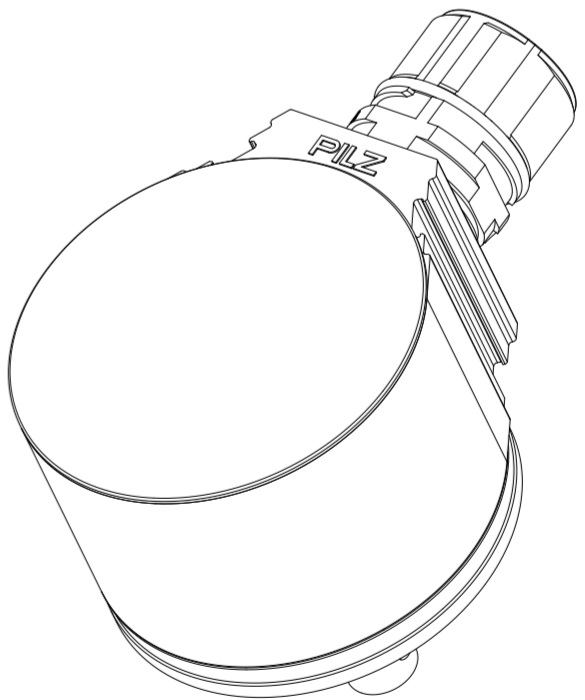
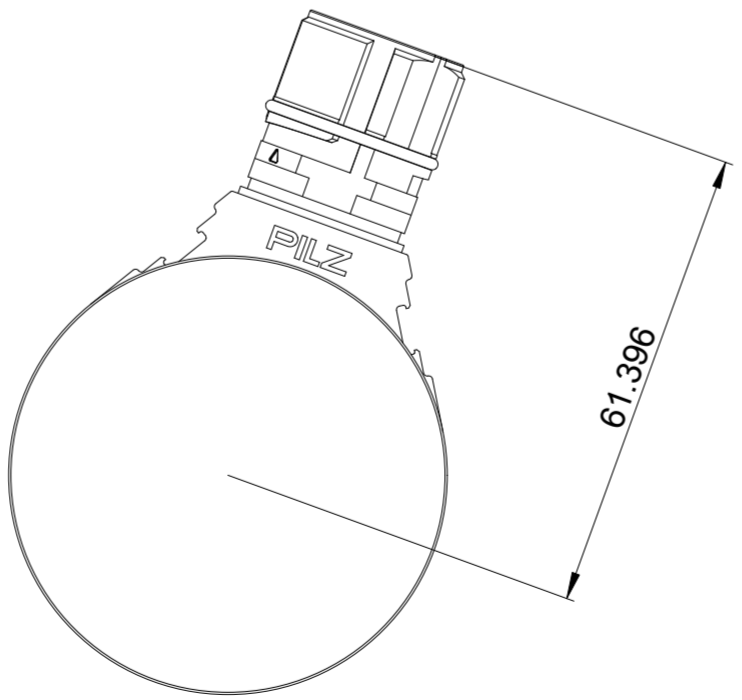
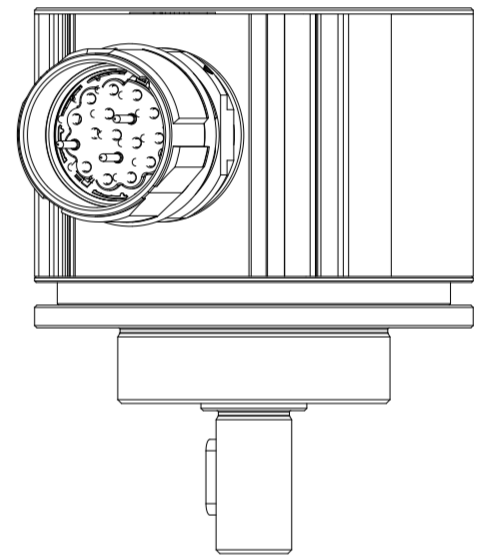
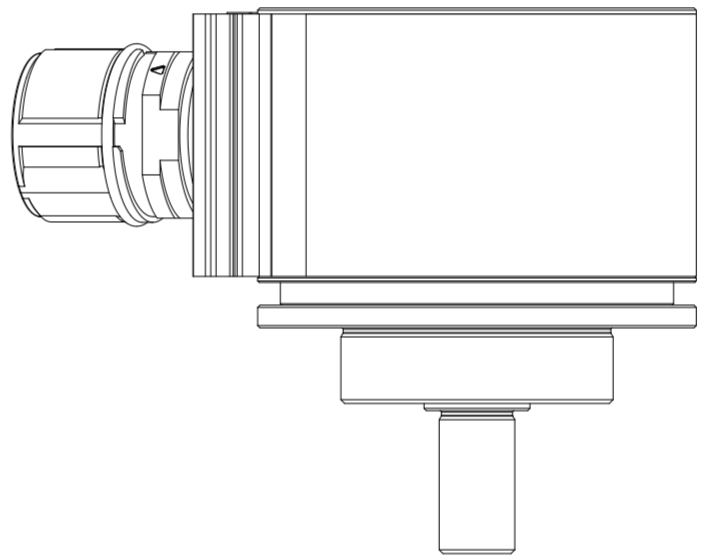
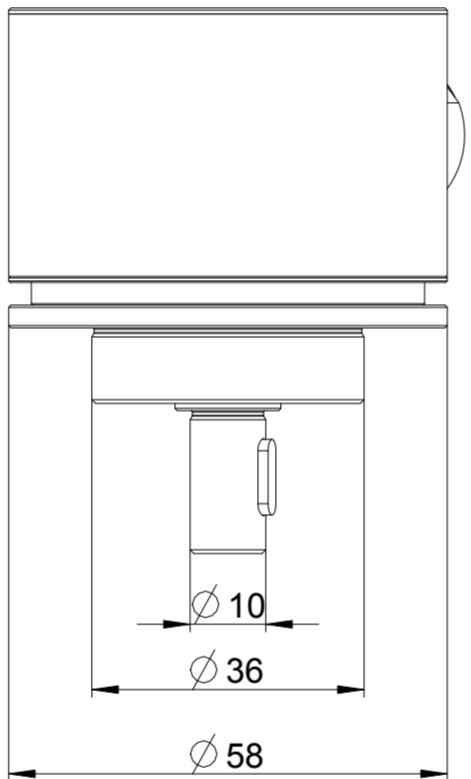
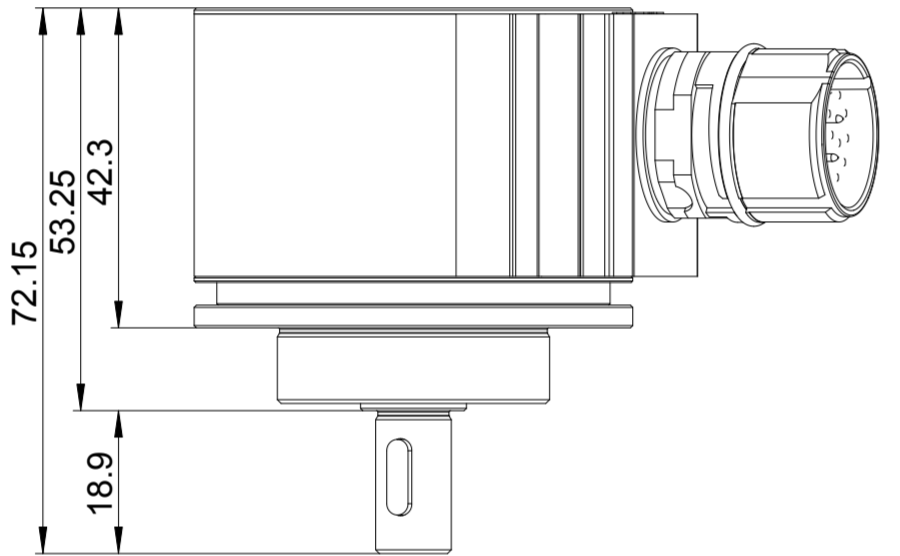
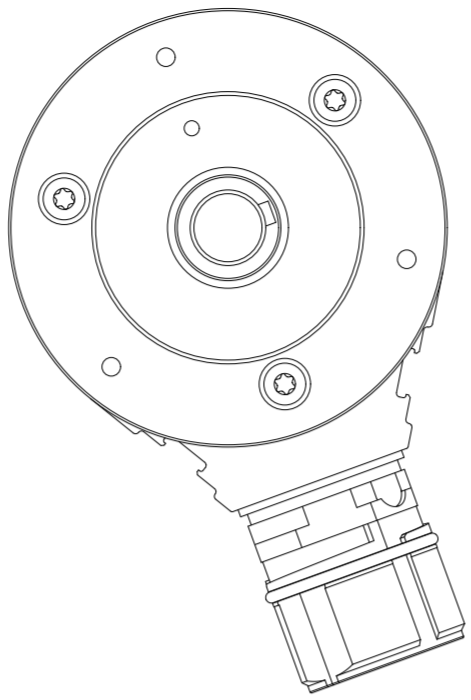


1 2 3 4 5 6 7 8

A B C D E F



-	20180253	17.07.2019	PD-SUP-MCPD-SUP-MD	Neue Zeichnung. New drawing.		
Index	ECO no.	Date	Editor	Checked		
Scale	1:1			Date	Name	MODEL: 2028406 DRW: 2028407
Material			Created	17.07.2019	PD-SUP-MD	Internet Modell Internet model PSEN enc
			Checked	17.07.2019	PD-SUP-MD	
			Norm	-	-	
All dimensions are in mm						
Surface			Unspecified tolerance		Doc.-No.	2028407
			ISO 2768 - mH		Mat.-No.	
						Page 1
						of 1

Refer to protection notice ISO 18016

