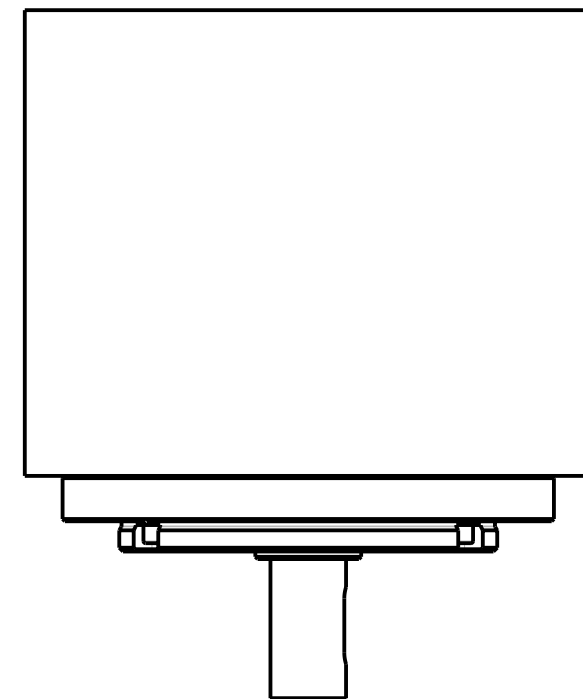
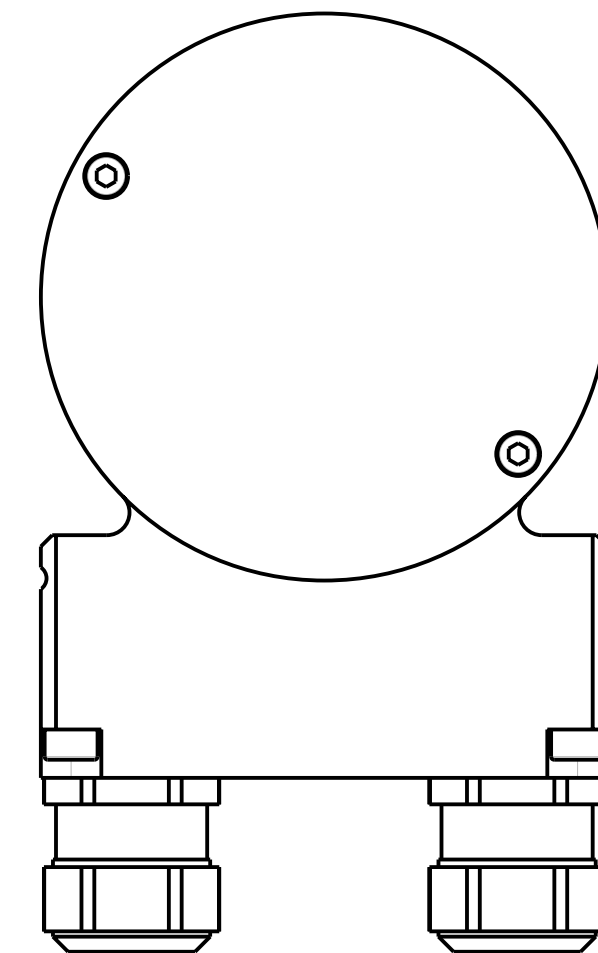
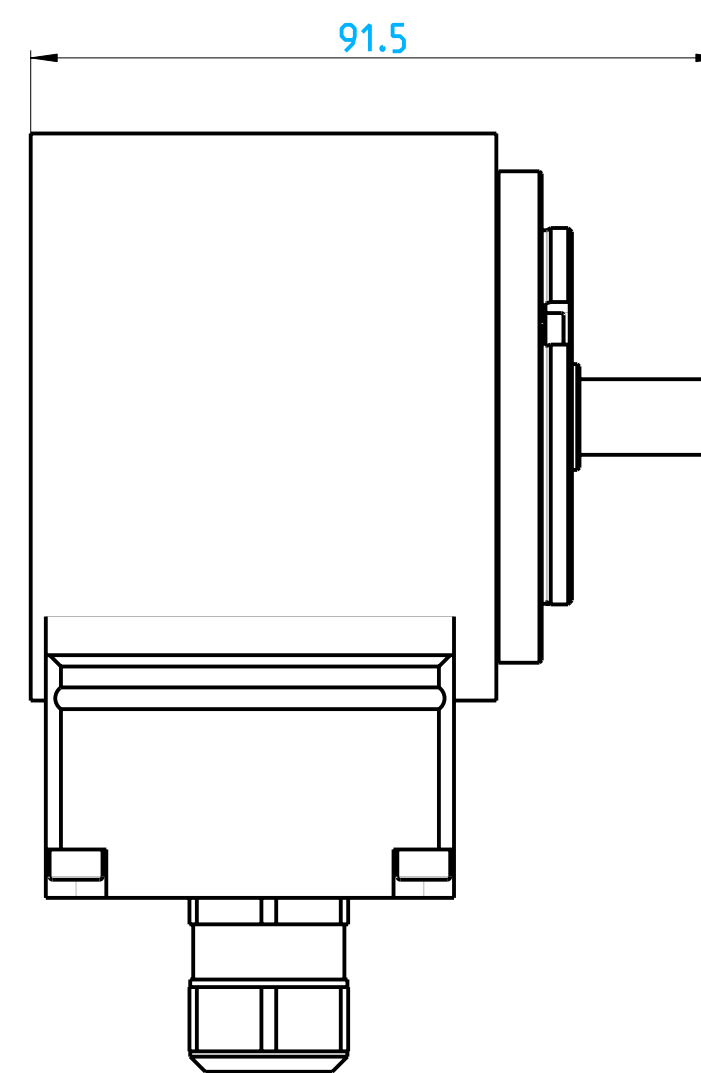
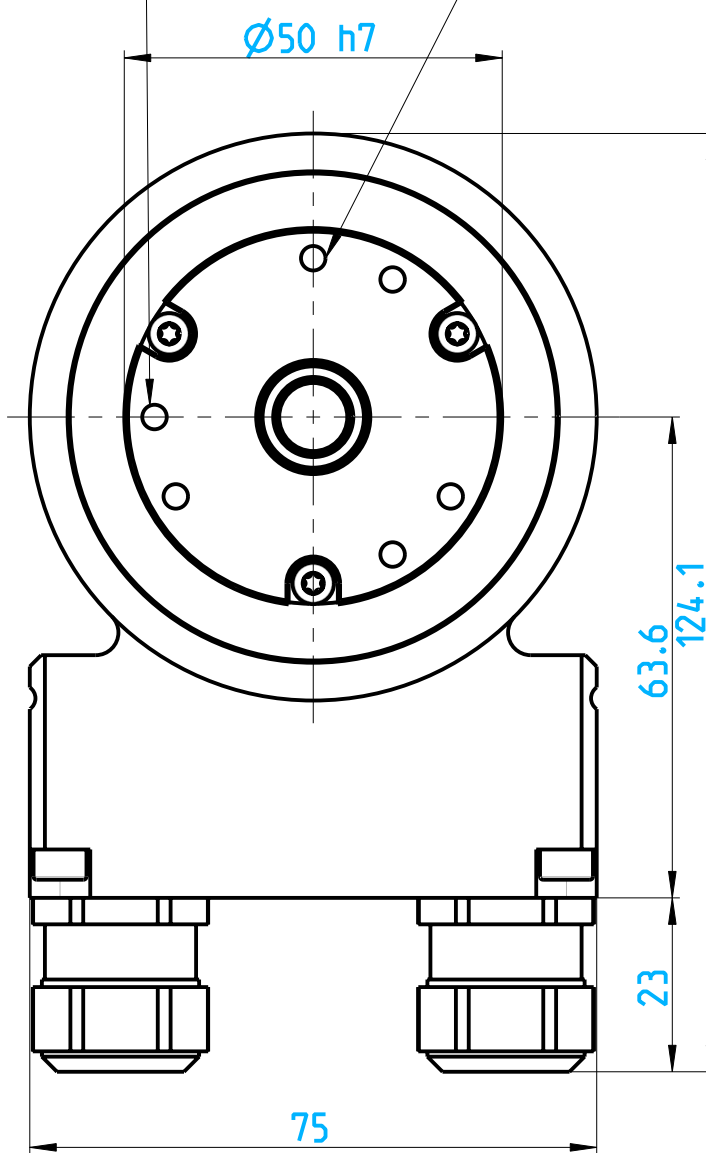


M4 6tief/deep (3x)  
 $\varnothing 42 \pm 0.2$  (3x120°)

M4 6tief/deep (3x)  
 $\varnothing 42 \pm 0.2$  (3x120°)



Observe protection note to DIN 34	-	20100357	23.09.2010	MERZ	WINKLER	Neue Zeichnung.	
	Index	ECO no.	Date	Editor	Checked	New drawing.	
	Scale	1:1			Date	Name	MODEL: 2007893 DRW: 2007894
	Material			Created	23.09.2010	MERZ	Internet Dokument
				Checked	23.09.2010	WINKLER	Internet document
				Norm	-	-	PSEN enc m2 eCAM
				All dimensions are in mm			
Surface	Unspecified Tolerance					Doc.-No.	2007894
						Page	1
						Mat.-No.	-
							of 1

