

1 2 3 4 5 6 7 8

A

A

B

B

C

C

D

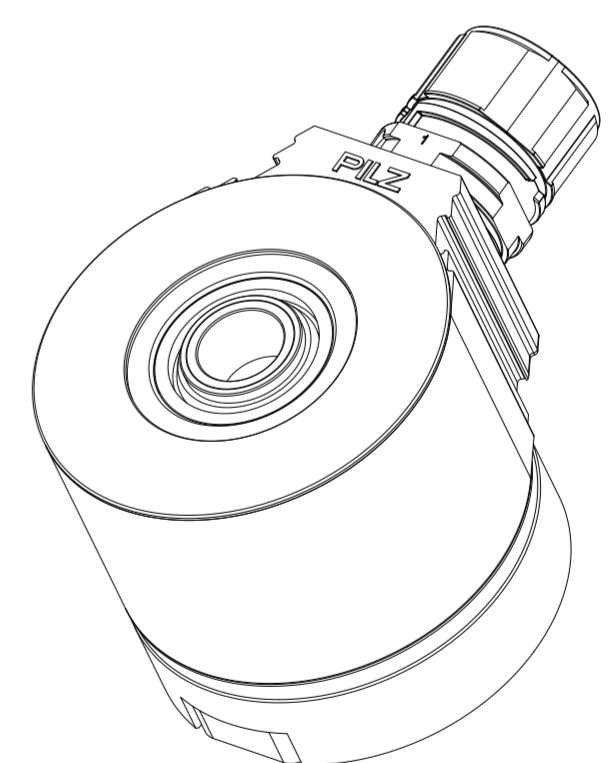
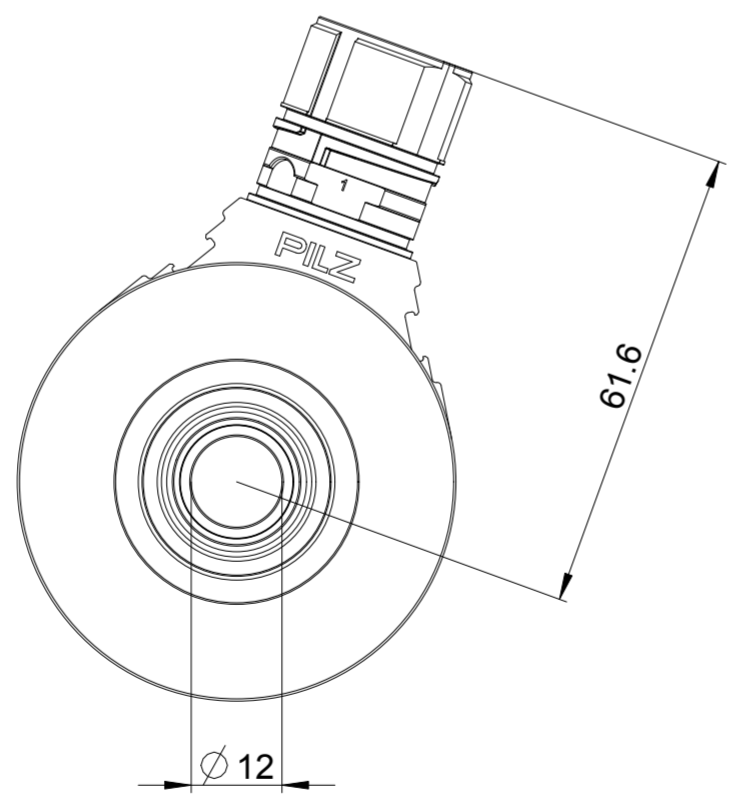
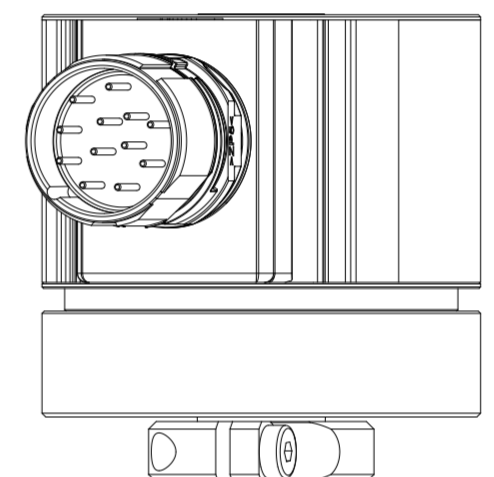
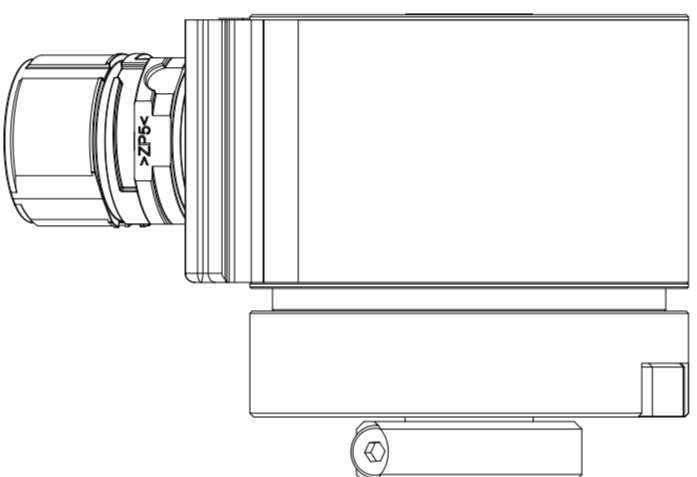
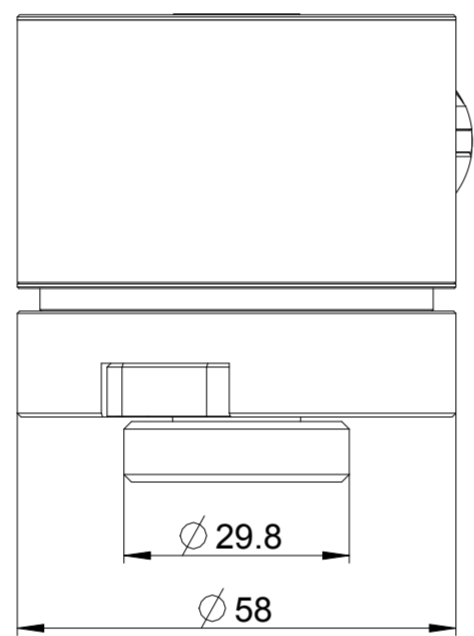
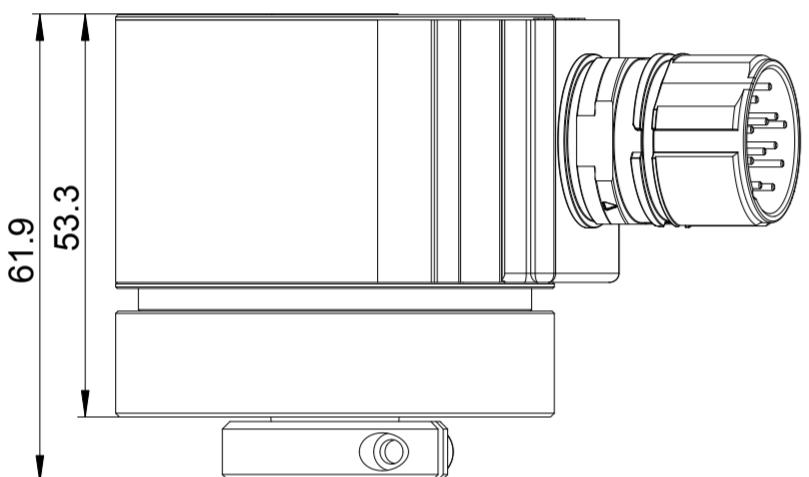
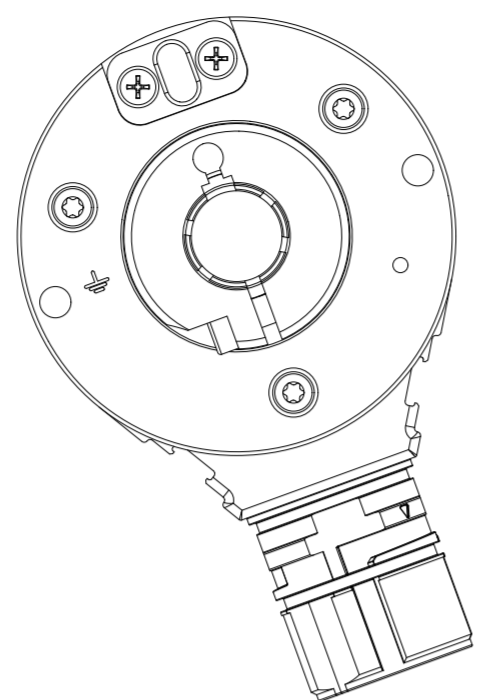
D

E

E

F

F



-	20180253	17.07.2019	PD-SUP-MCPD-SUP-MD	Neue Zeichnung. New drawing.		
Index	ECO no.	Date	Editor	Checked		
Scale	1:1				Date	Name
Material					17.07.2019	PD-SUP-MD
					17.07.2019	PD-SUP-MD
					-	-
				All dimensions are in mm		
Surface	Unspecified tolerance			Doc.-No.		2028386
	ISO 2768 - mH			Mat.-No.		-
					Page	1
					of	1

Refer to protection notice ISO 18016

