

1

2

3

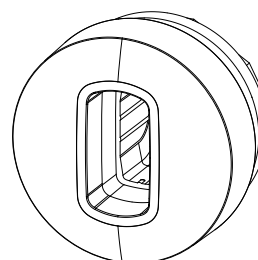
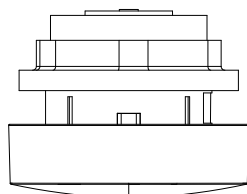
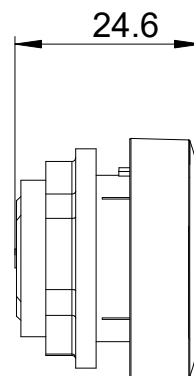
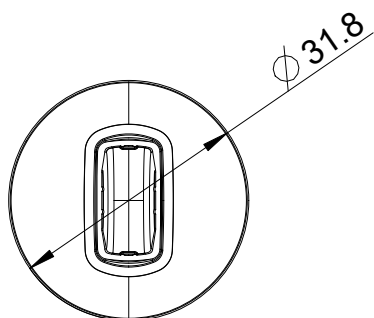
4

A

B

C

D



-	H-2810	01.07.2021	PD-Sup-MDPD-SUP-MD	Neue Zeichnung new drawing			
Index	ECO no.	Date	Editor	Checked			
Scale	1:1			Date	Name	MODEL: 2031053 DRW: 2031054	
Material	-	-	Created	01.07.2021	PD-SUP-MD	Internetdokument internet document -	
-	-	-	Checked	-	-		
-	-	-	Norm	-	-		
Surface	-	-	All dimensions are in mm			Doc.-No. 2031054 Mat.-No. 532113	Page 1
-	-	-	Unspecified tolerance				of 1

Refer to protection notice ISO 16016

PILZ