

Accessories

PSEN adapter M30 M12

Application

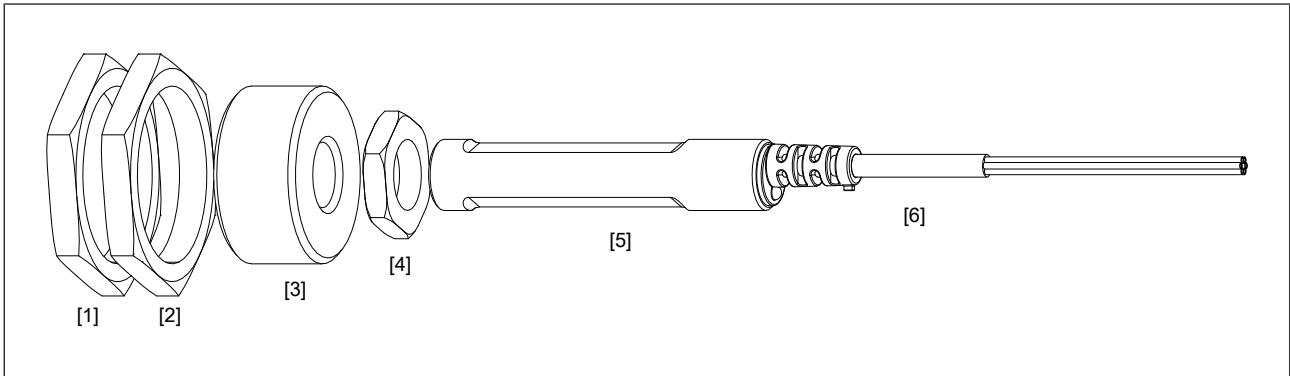


Fig.: Using the adapter on the safety switch

Legend

- [1] First locking nut M30
- [2] Second locking nut M30
- [3] Adapter
- [4] Nut M12
- [5] Safety switch
- [6] Cable

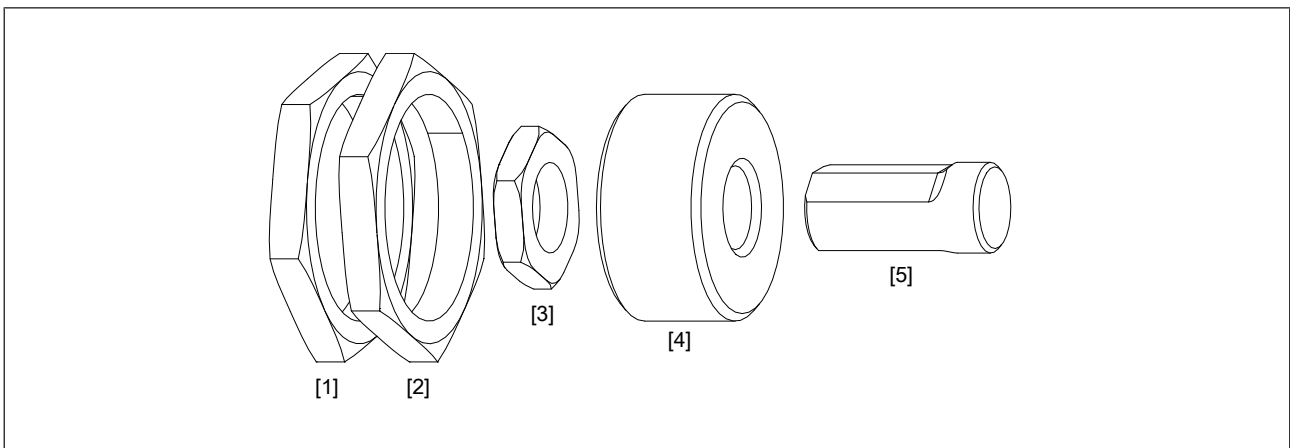


Fig.: Using the adapter on the actuator

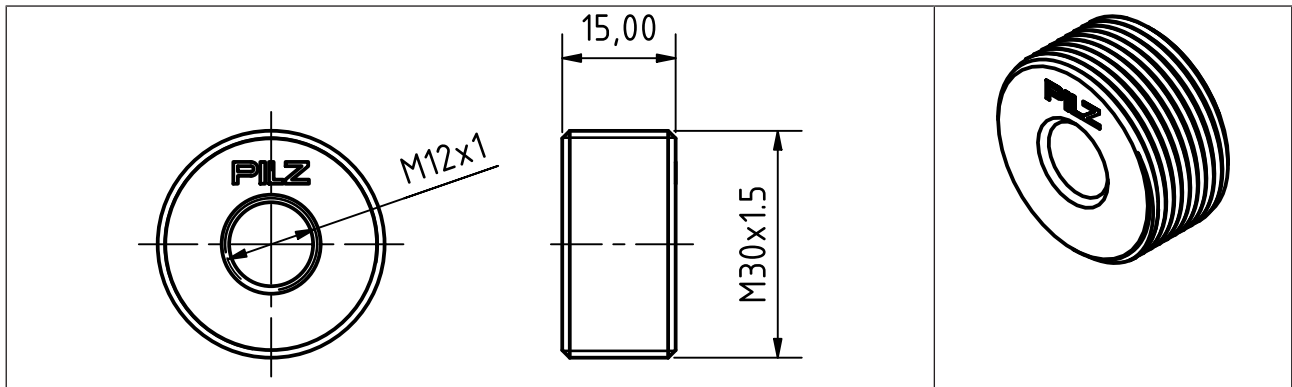
Legend

- [1] First locking nut M30
- [2] Second locking nut M30
- [3] Nut M12
- [4] Adapter
- [5] Actuator

Accessories

PSEN adapter M30 M12

Dimensions in mm



Technical details

Environmental data

Ambient temperature

Temperature range

-40 - 70 °C

Storage temperature

Temperature range

-40 - 85 °C

Mechanical data

Material

Plastic

Order reference

| Product type | Features | Order no. |
|----------------------|---|-----------|
| PSEN adapter M30 M12 | Mechanical adapter, to replace sensors with external thread M30 with sensors with external thread M12, scope of delivery: 2 adapters and 4 nuts | 532107 |