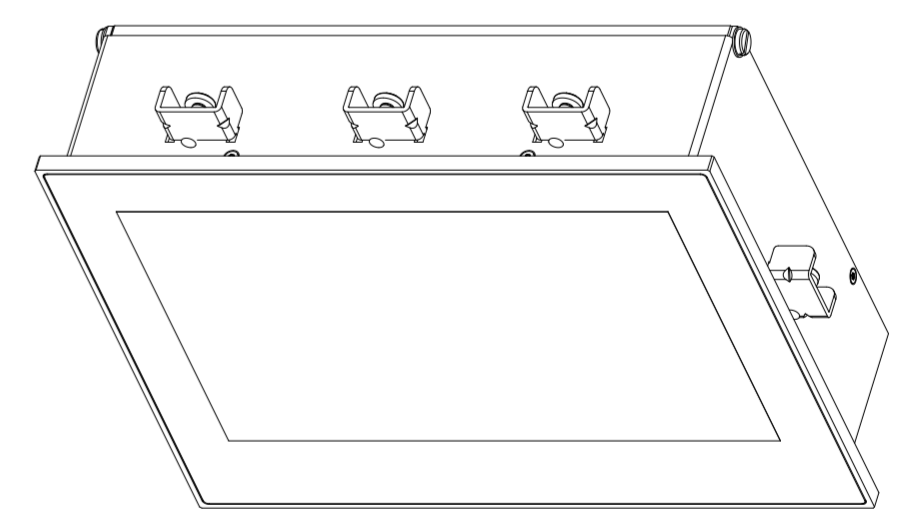
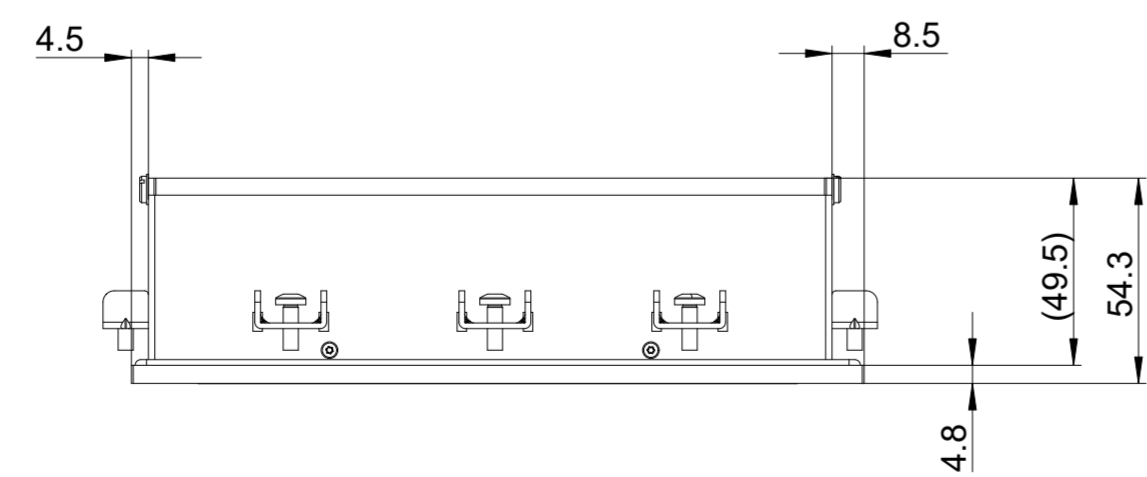
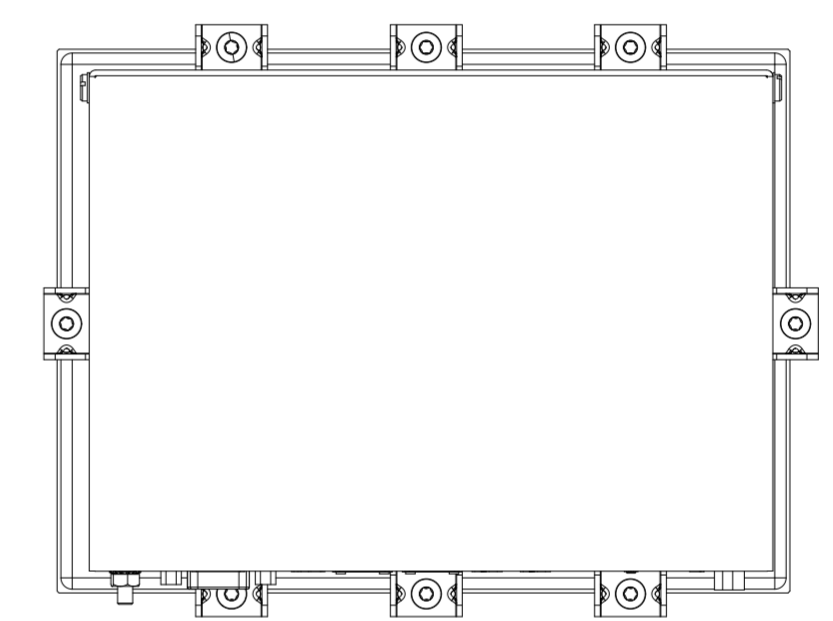
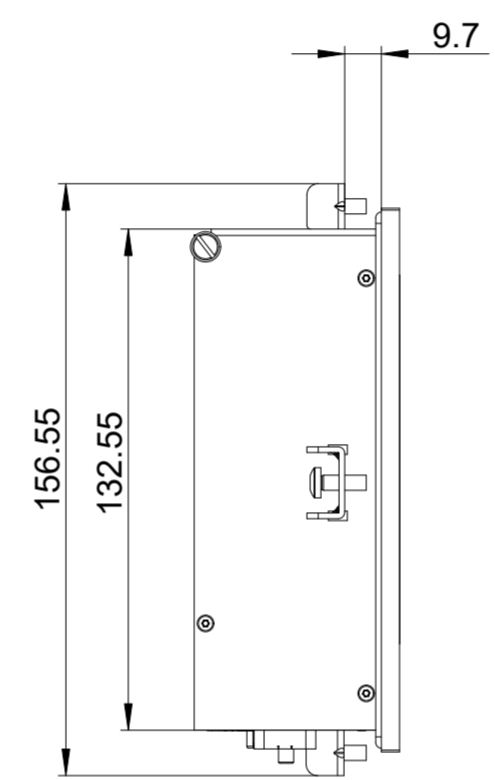
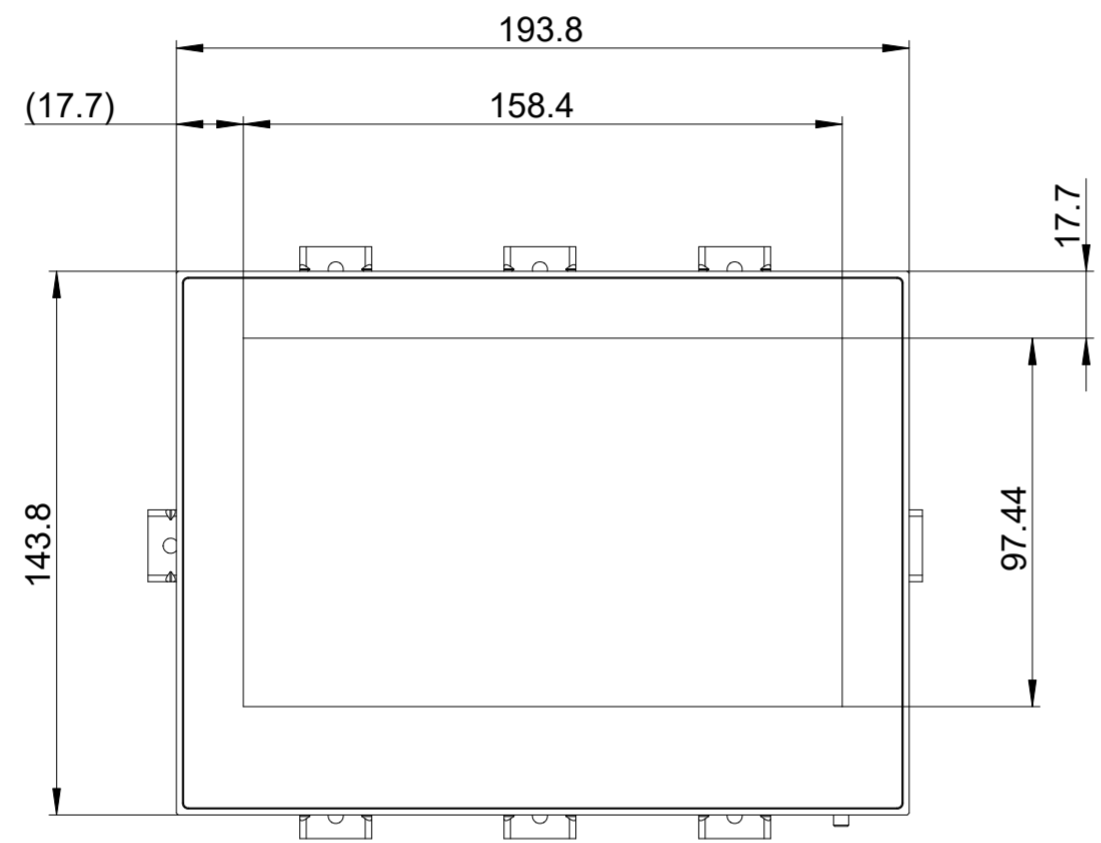
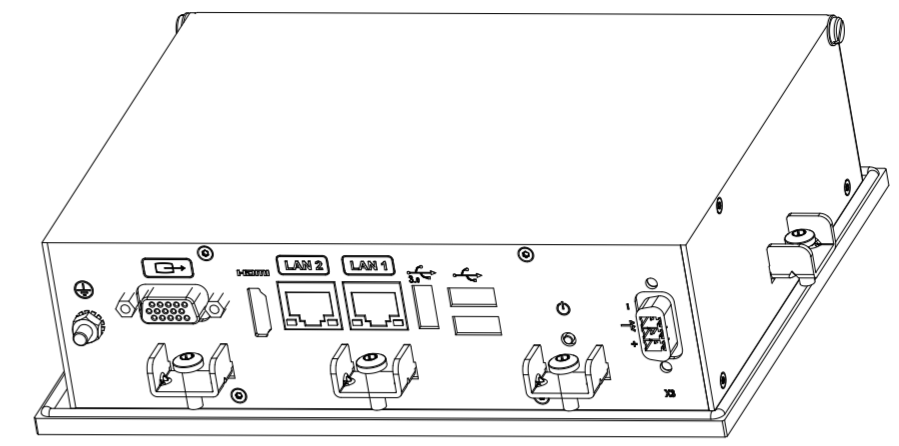
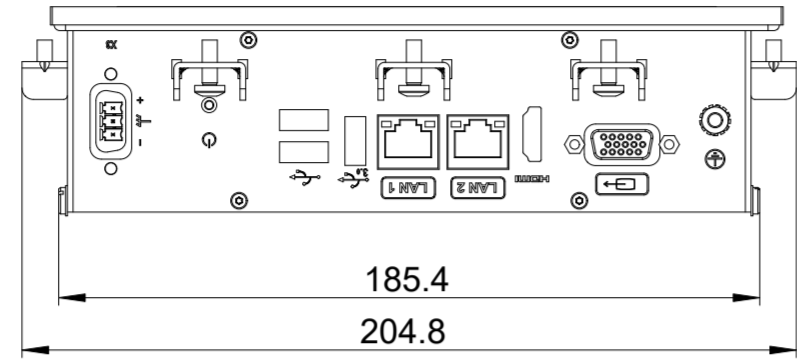


1 2 3 4 5 6 7 8

A
B
C
D
E
F



7"-Display

Panel cutout dimensions = 187 x 138.5

A	20220420	12.12.2022	EP SUP MD	-	new model / 8 clamp			
Index	ECO no.	Date	Editor	Checked				
Scale	1:2				Date	Name	MODEL: 2029823	DRW: 2029824
Material	-	Created	06.10.2020	EP-SUP MD	Checked	06.10.2020	EP-SUP MD	Internet Dokument
Surface	-	Norm	-	-	All dimensions are in mm			Internet Dokument
		Unspecified tolerance			Doc.-No. 2029824			Page 1
					Mat.-No. -			of 1



Refer to protection notice ISO 18016