

1 2 3 4 5 6 7 8

A

B

C

D

E

F

A

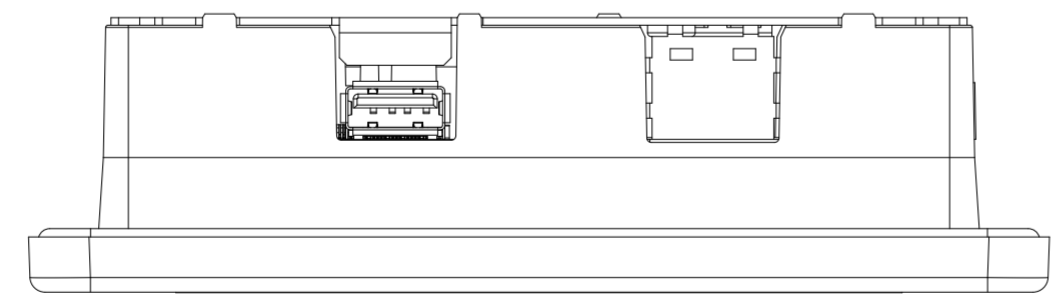
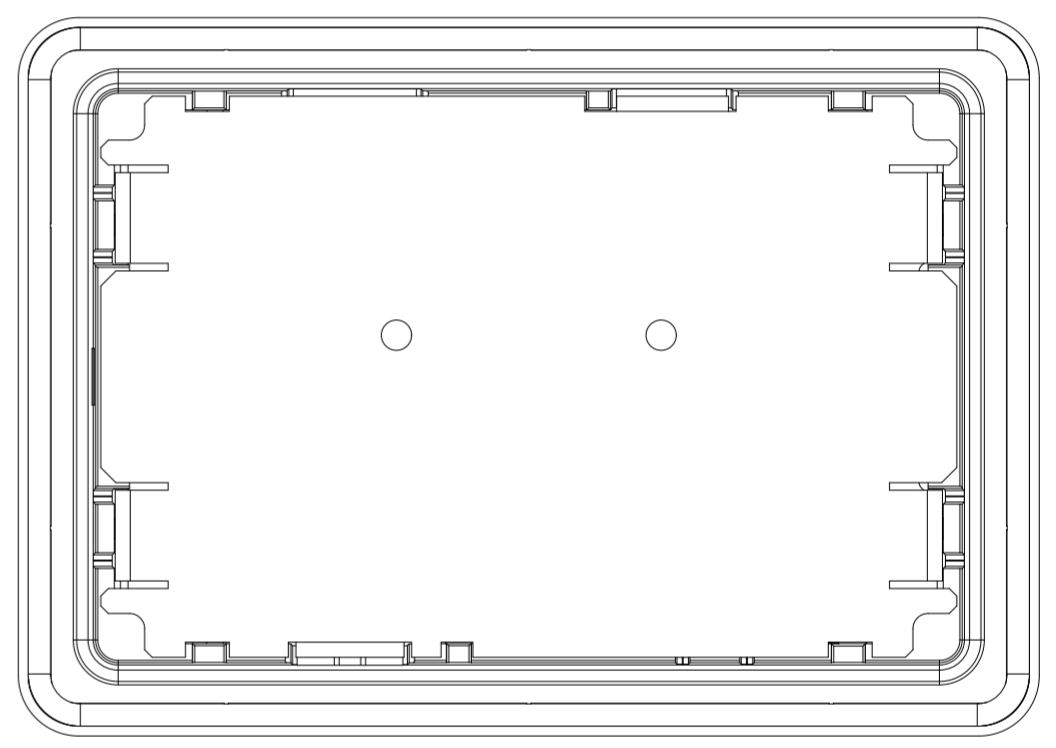
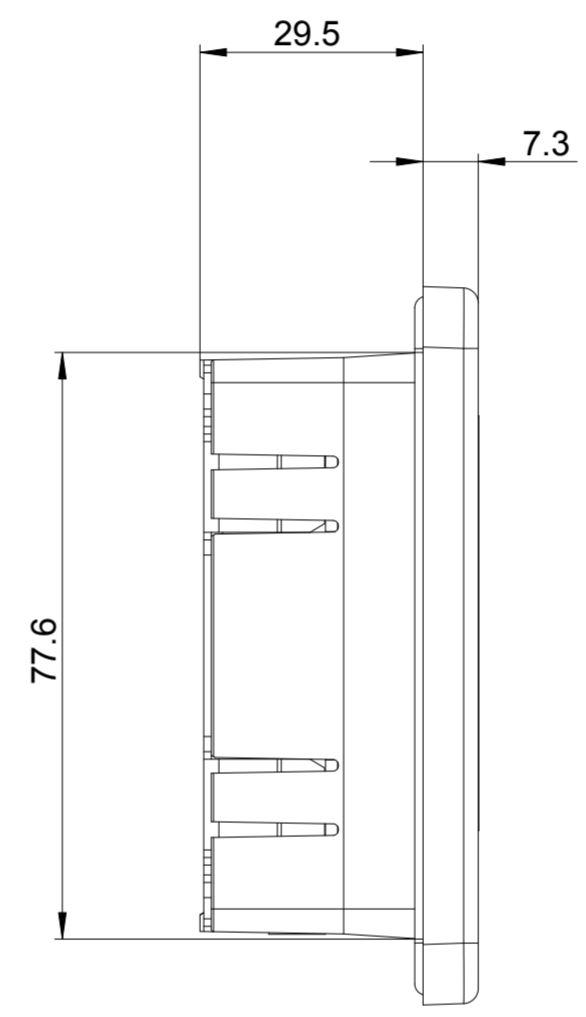
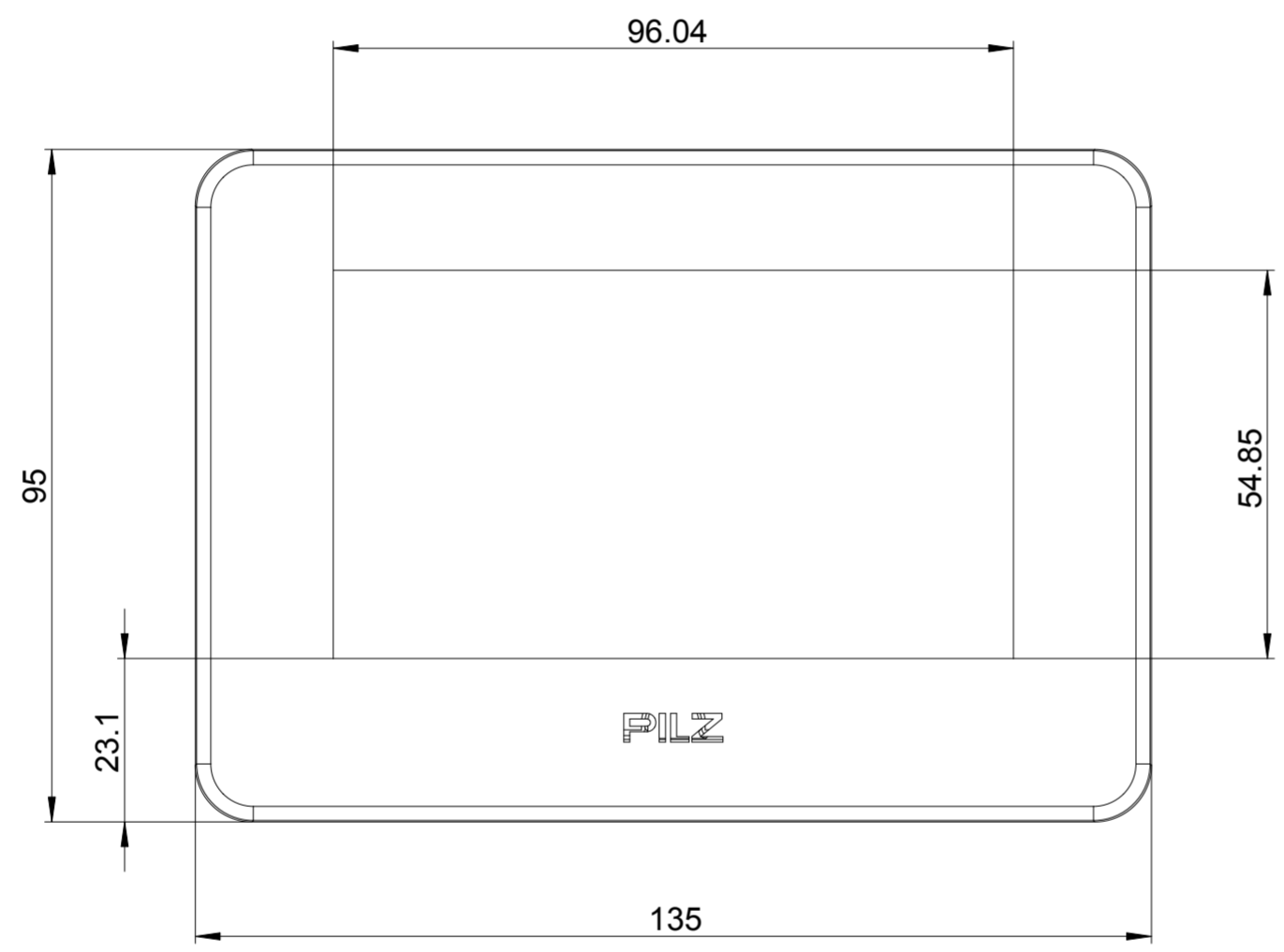
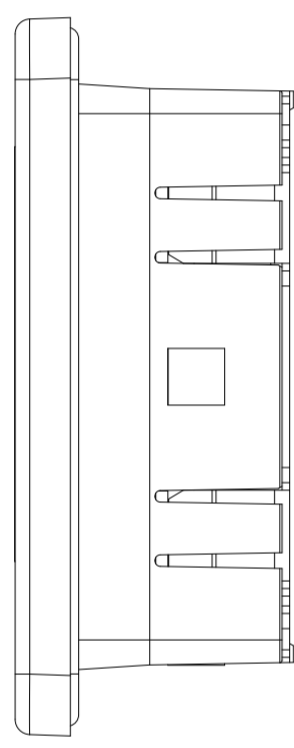
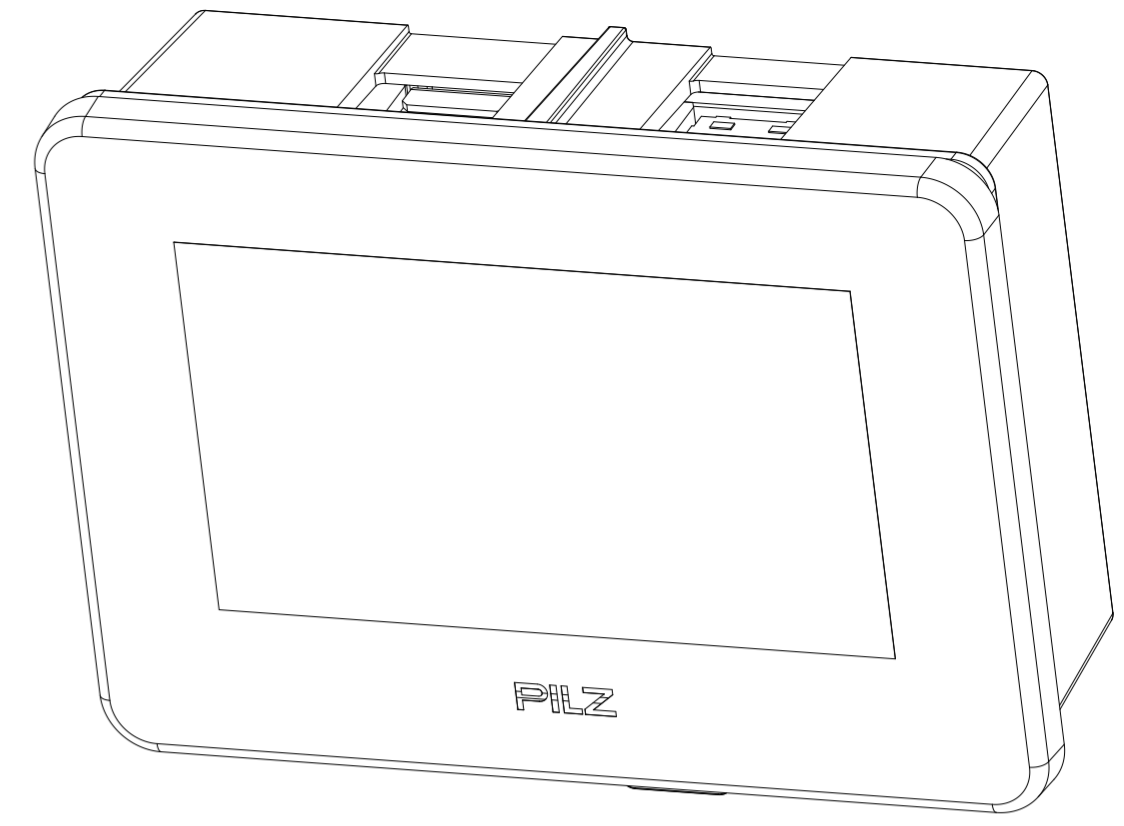
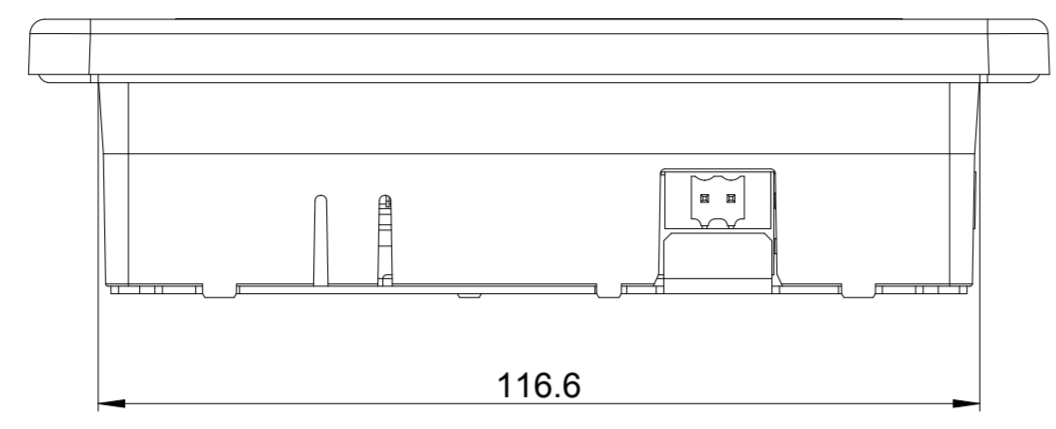
B

C

D

E

F

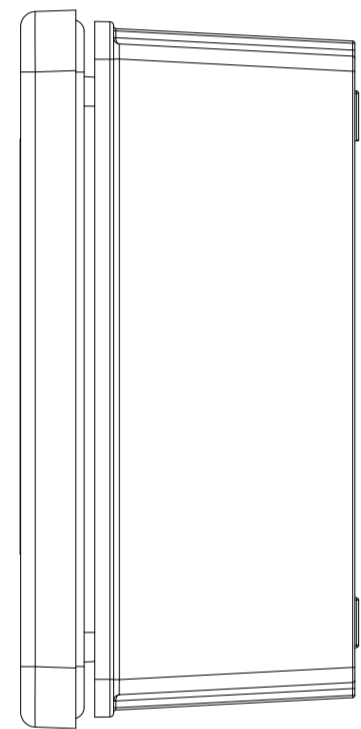
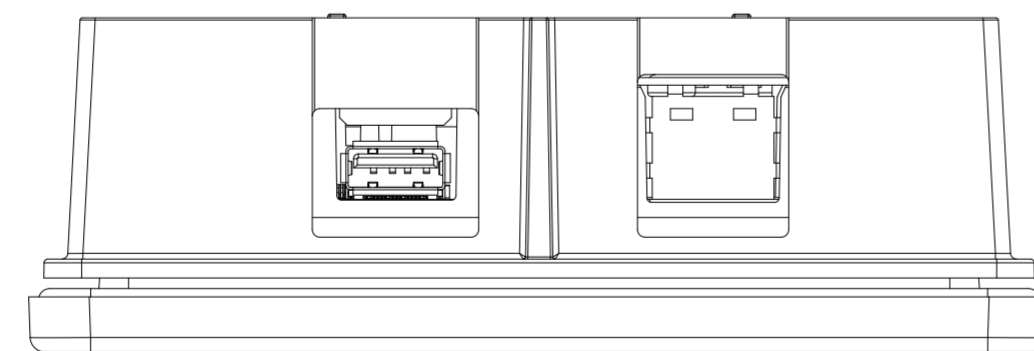
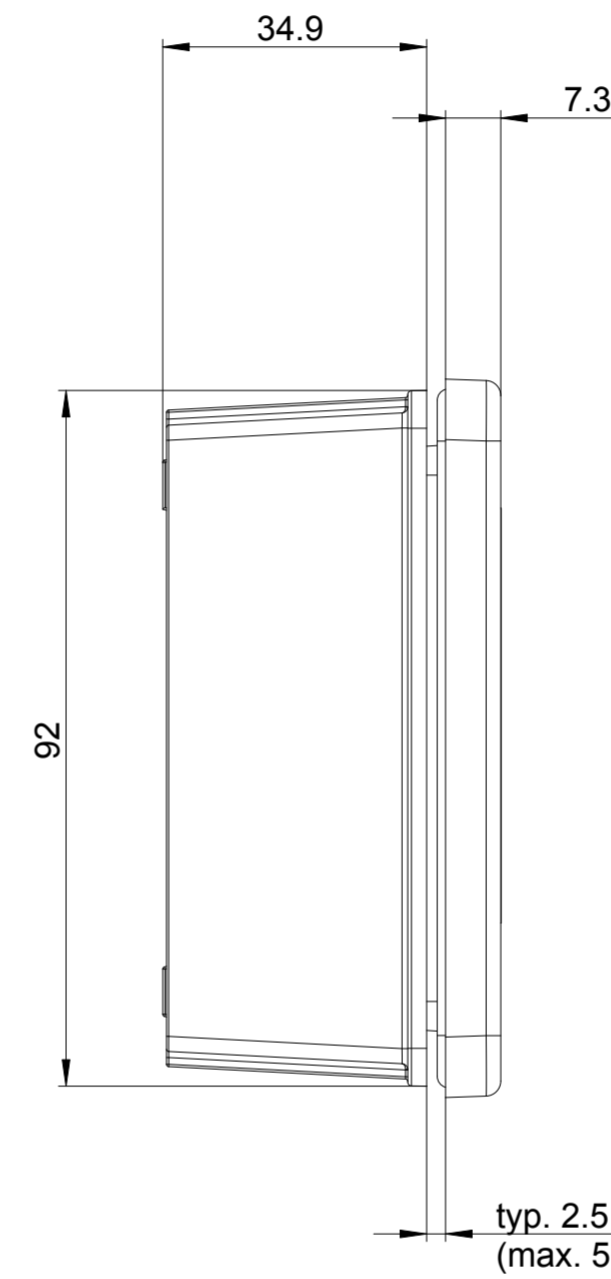
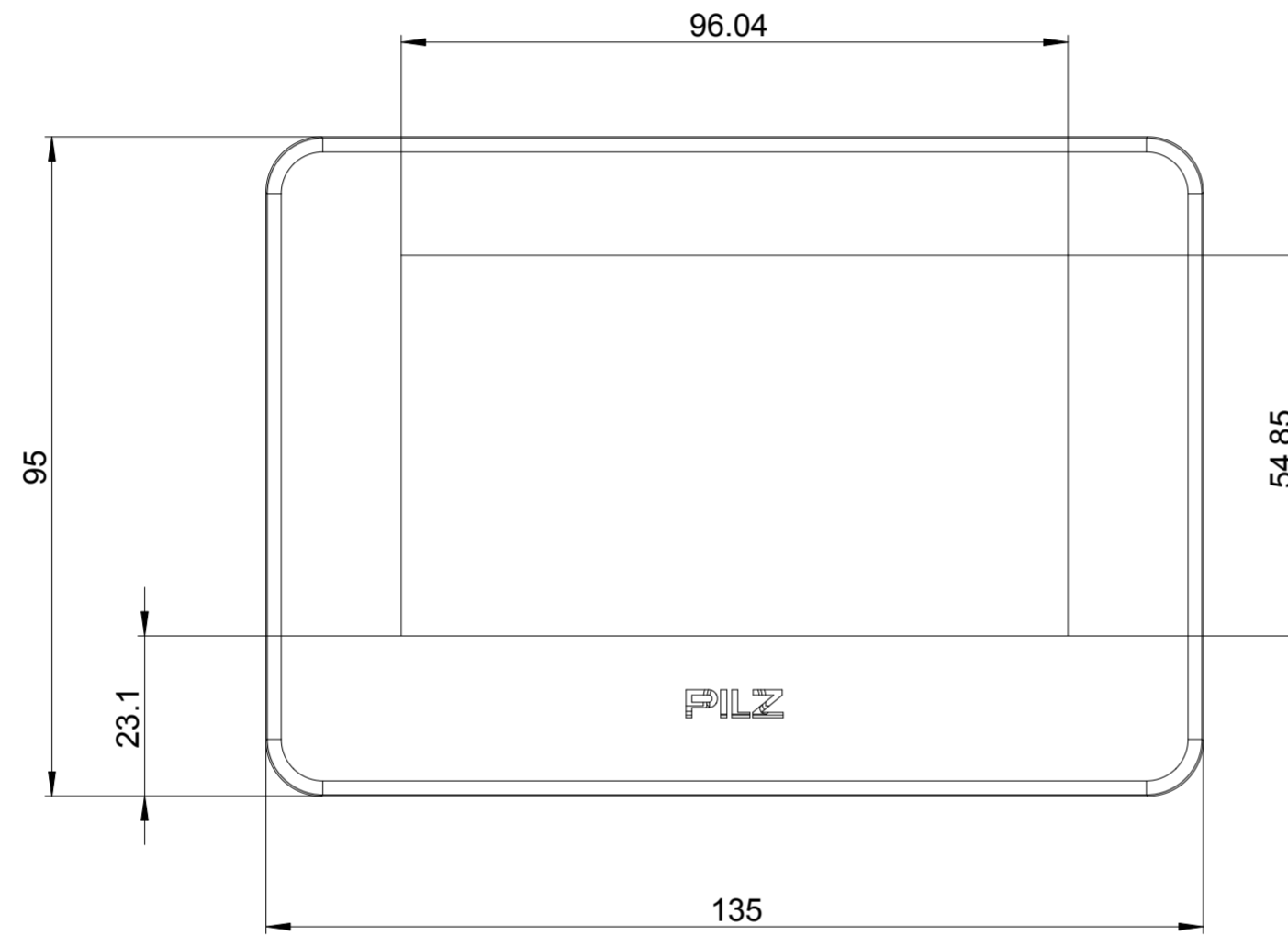
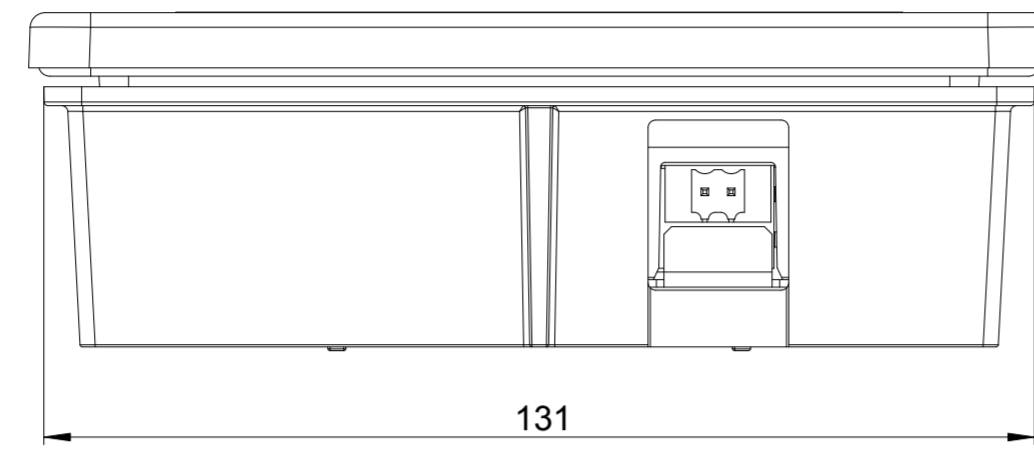
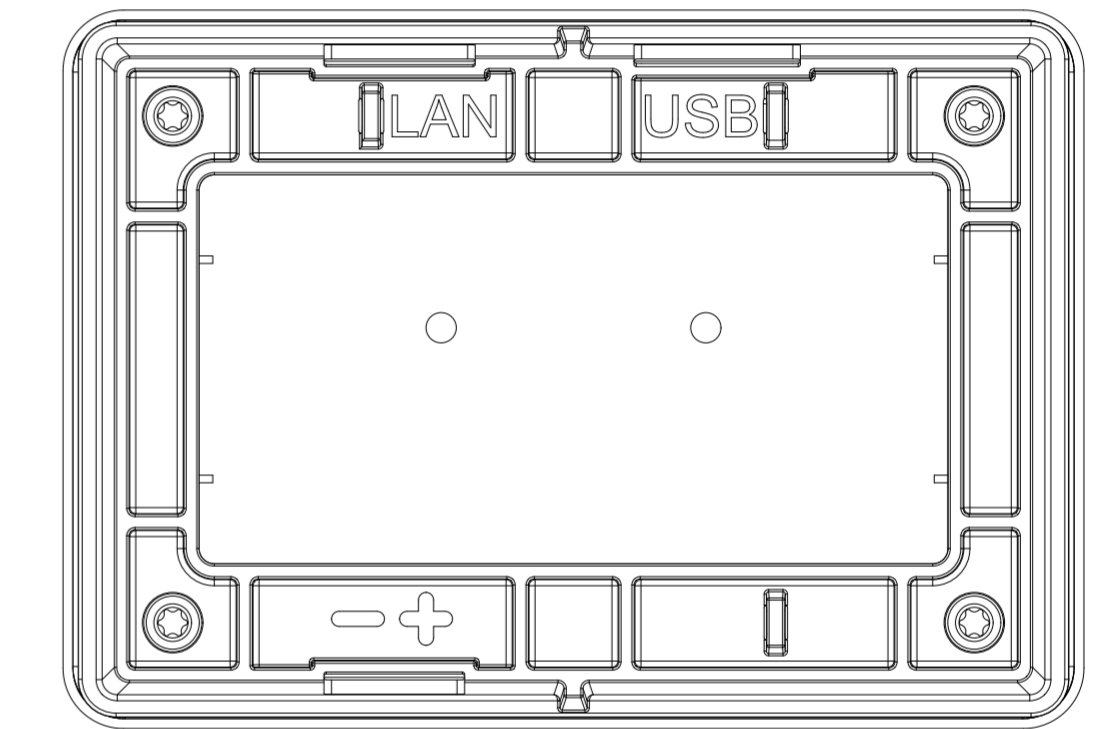
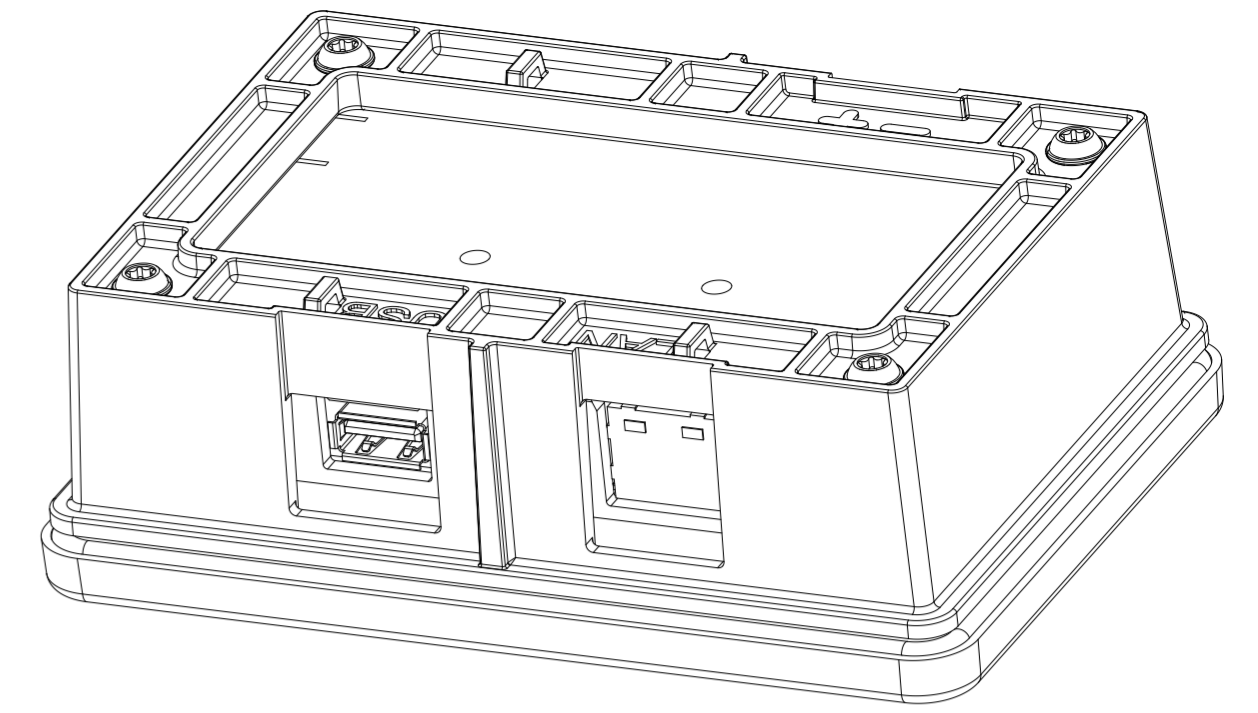


Page 1: presentation device
 Page 2: presentation device and holding frame
 Page 3: presentation device and adapter DIN rail

-	20160374	25.07.2018	PD-SUP-MCPD-SUP-MD	-	-	-	-
Index	ECO no.	Date	Editor	Checked			
Scale	1:1				Date	Name	MODEL: 2026956 DRW: 2026957
Material					Created	25.07.2018	PD-SUP-MD
					Checked	25.07.2018	PD-SUP-MD
					Norm	-	-
					All dimensions are in mm		
Surface					Unspecified tolerance		Doc.-No. 2026957
							Page 1
							of 3



Refer to protection notice ISO 18016

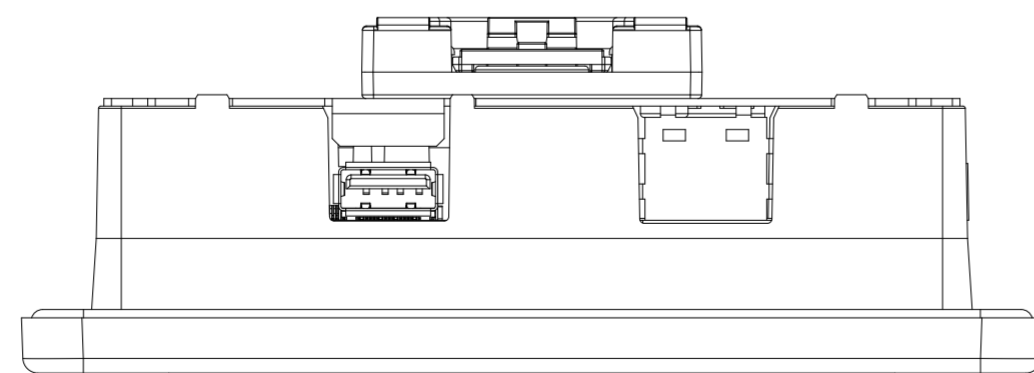
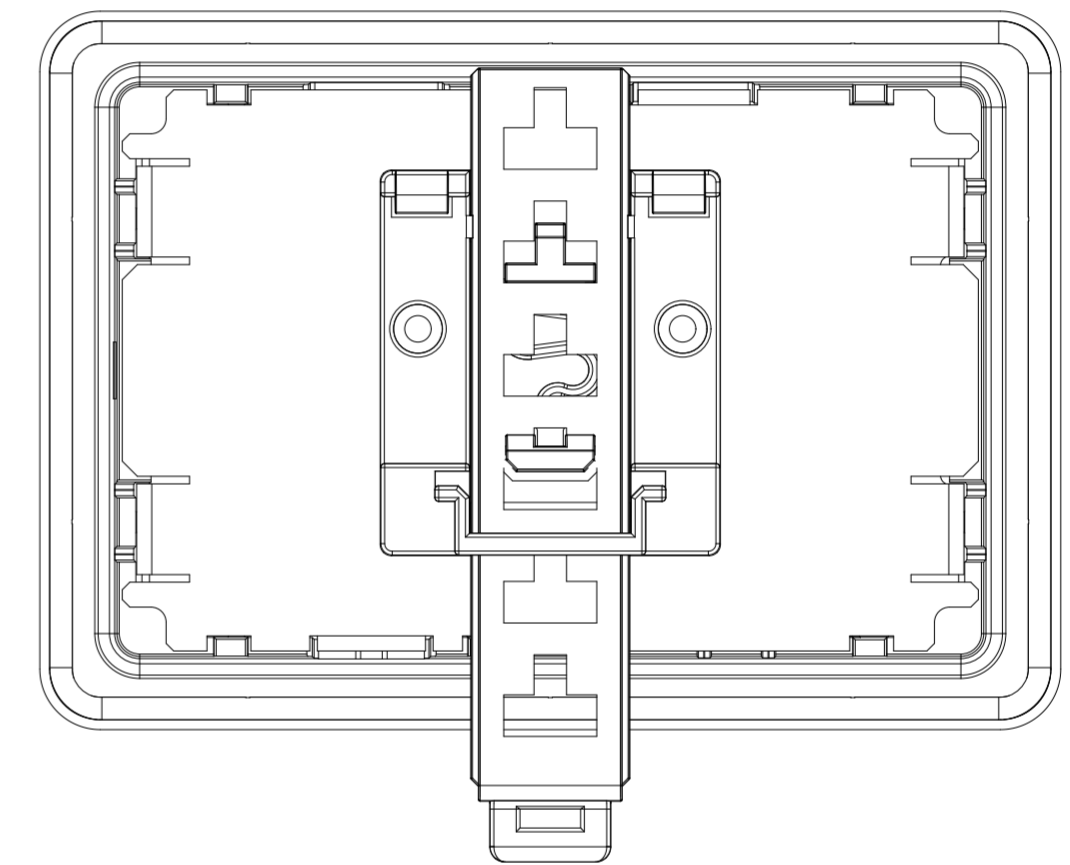
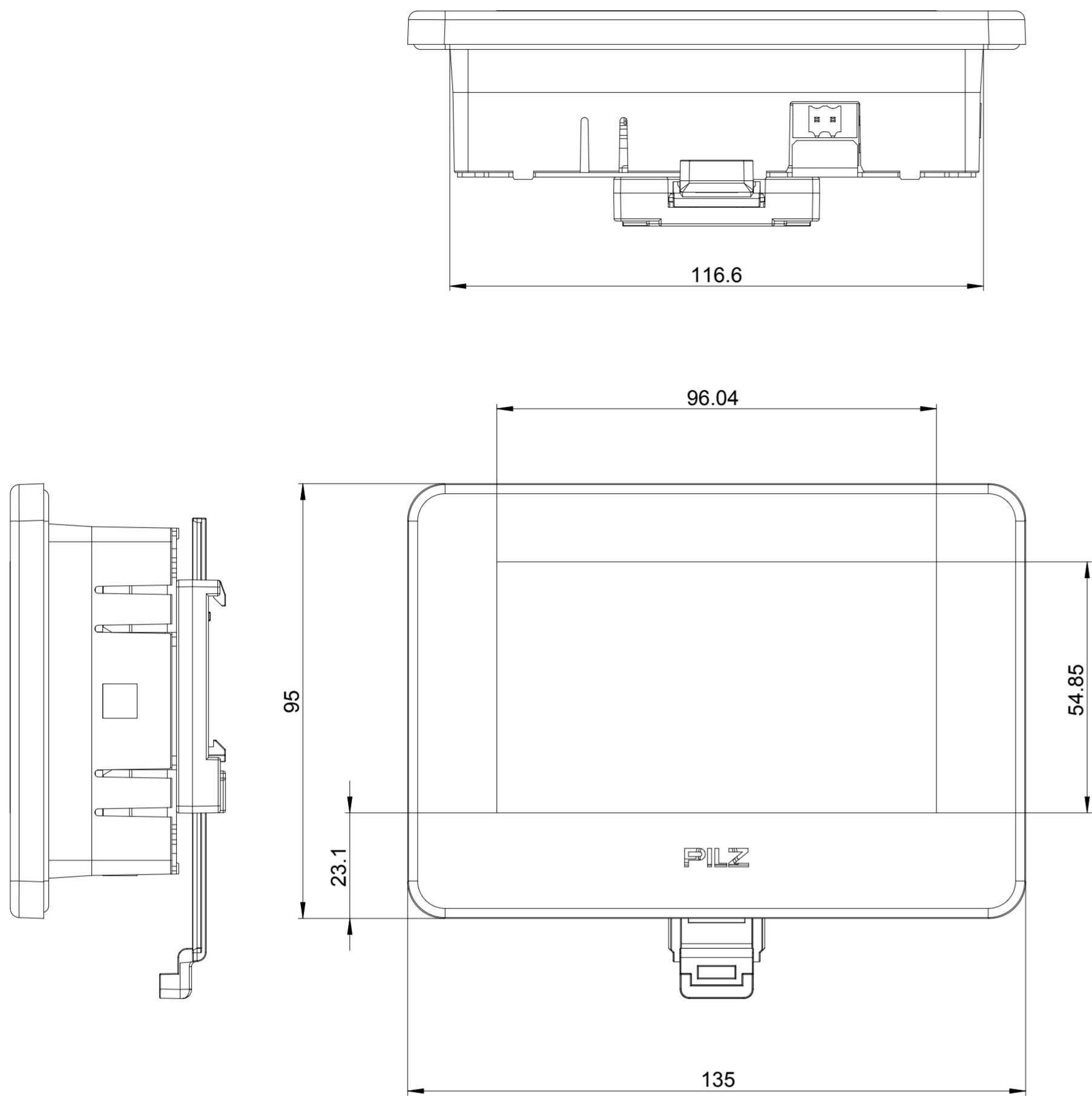
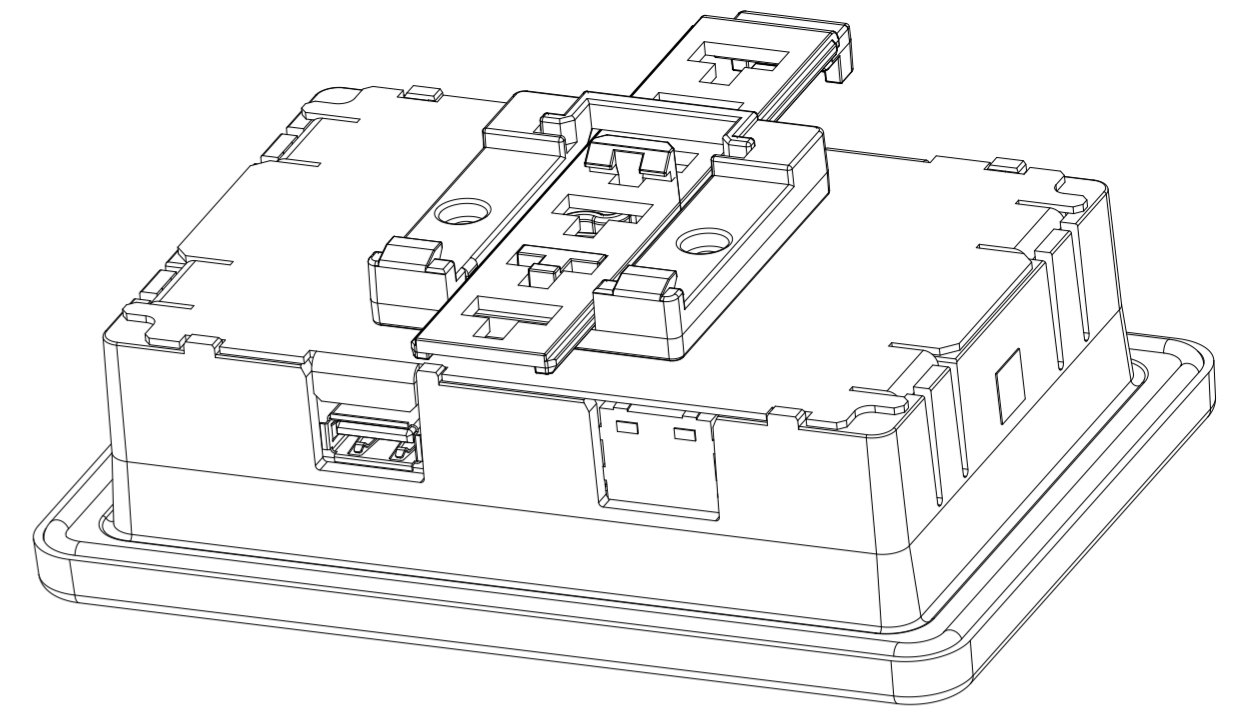


Page 1: presentation device
 Page 2: presentation device and holding frame
 Page 3: presentation device and adapter DIN rail

-	20160374	25.07.2018	PD-SUP-MCPD-SUP-MD	-					
Index	ECO no.	Date	Editor	Checked					
Scale	1:1				Date	Name	MODEL: 2026956	DRW: 2026957	
Material					Created	25.07.2018	PD-SUP-MD	PMI v704e Internetmodel PMI v704e Internetmodel PMI v704e	
					Checked	25.07.2018	PD-SUP-MD		
					Norm	-	-		
Surface					All dimensions are in mm			Doc.-No. 2026957	Page 2
					Unspecified tolerance			Mat.-No. -	of 3



Refer to protection notice ISO 18016



Page 1: presentation device
 Page 2: presentation device and holding frame
 Page 3: presentation device and adapter DIN rail

-		20160374	25.07.2018	PD-SUP-MCPD-SUP-MD	-		
Index	ECO no.	Date	Editor	Checked			
Scale	1:1				Date	Name	MODEL: 2026956 DRW: 2026957
Material			Created	25.07.2018	PD-SUP-MD	PMI v704e Internetmodel	
			Checked	25.07.2018	PD-SUP-MD	PMI v704e Internetmodel	
			Norm	-	-	PMI v704e	
Surface	Unspecified tolerance			All dimensions are in mm		Doc.-No.	2026957
						Mat.-No.	-
						Page	3
						of	3



Refer to protection notice ISO 18016