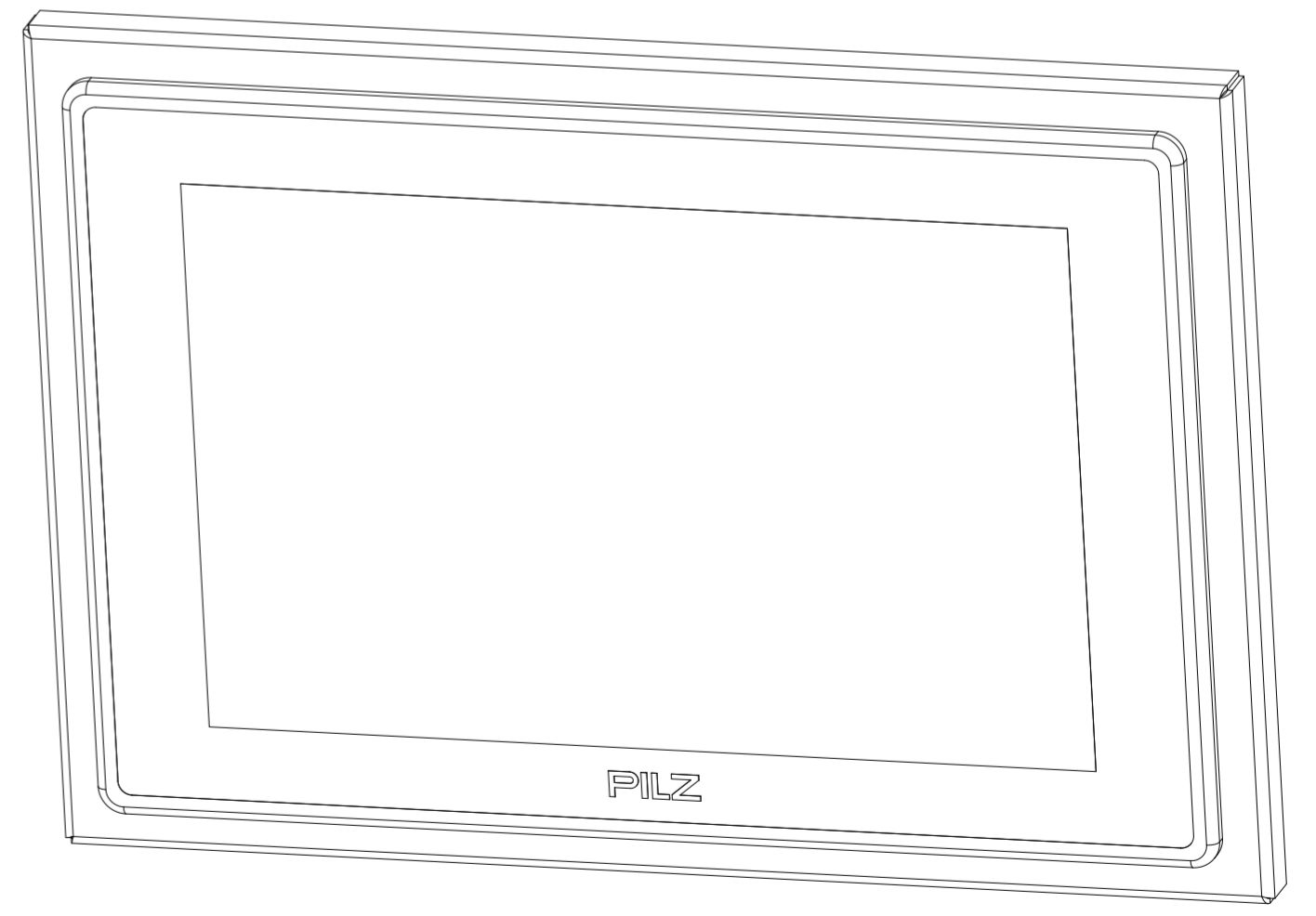
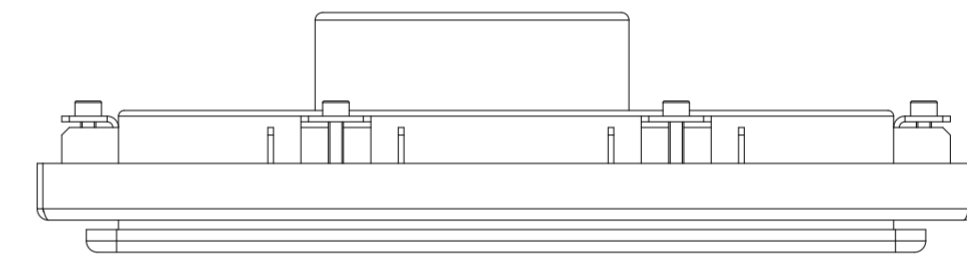
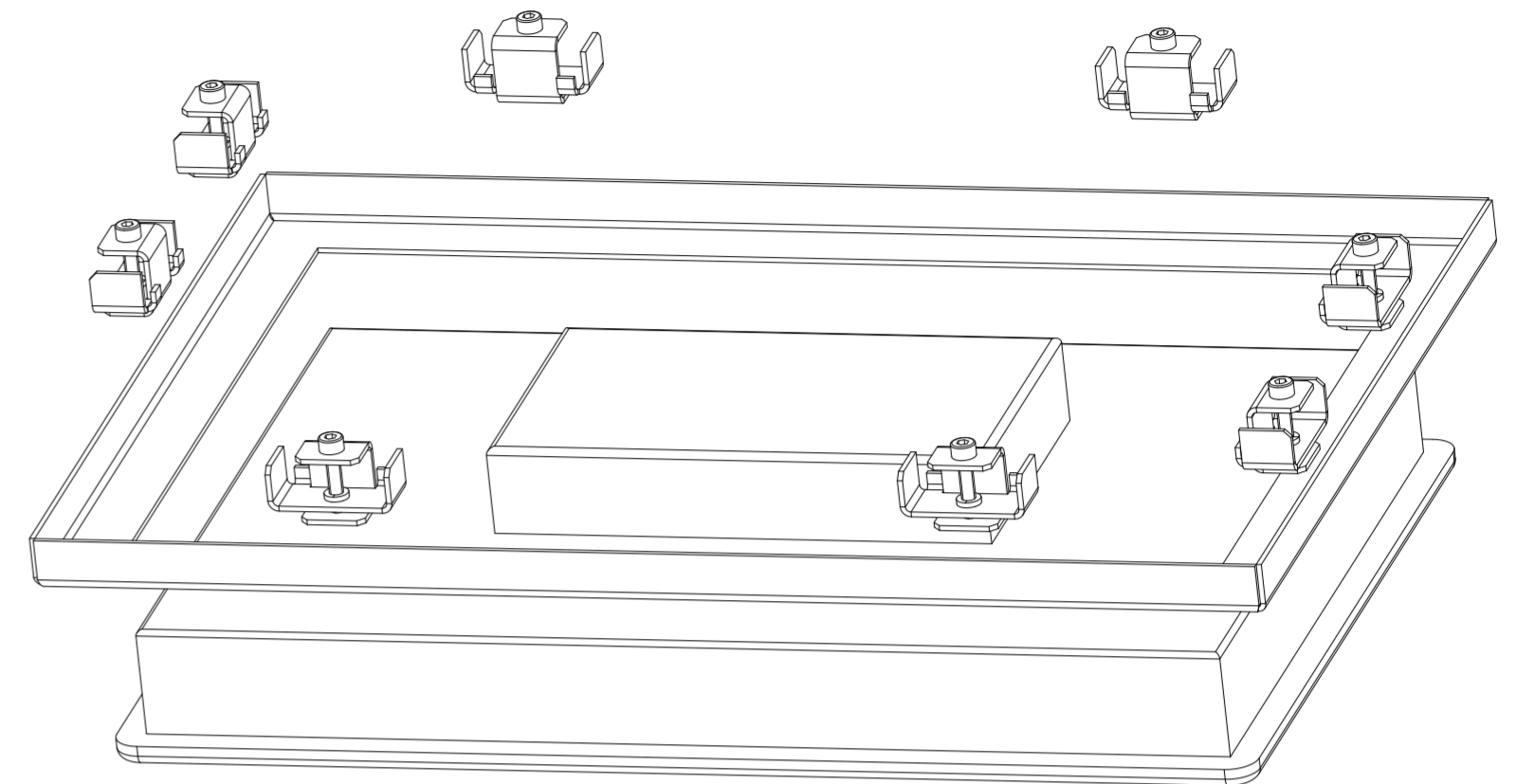


Mounting cut out 316+1 x 206+1



-	20150111	06.06.2016	EP-SUP	EP-SUP	new drawing	
Index	ECO no.	Date	Editor	Checked	-	
Scale	1:2			Date	Name	MODEL: 2022855 DRW: 2022856
Material			Created	06.06.2016	EP-SUP	Internet Dokument Internet Document PMI
			Checked	06.06.2016	EP-SUP	
			Norm	-	-	
Surface	Unspecified tolerance		All dimensions are in mm			Doc.-No. 2022856
						Page 1
					Mat.-No. -	of 1



Refer to protection notice ISO 18016