



▶ RJ45 Connector

PILZ
THE SPIRIT OF SAFETY

Operating Manual-1004383-EN-02
- Accessories



This document is the original document.

Where unavoidable, for reasons of readability, the masculine form has been selected when formulating this document. We do assure you that all persons are regarded without discrimination and on an equal basis.

All rights to this documentation are reserved by Pilz GmbH & Co. KG. Copies may be made for the user's internal purposes. Suggestions and comments for improving this documentation will be gratefully received.

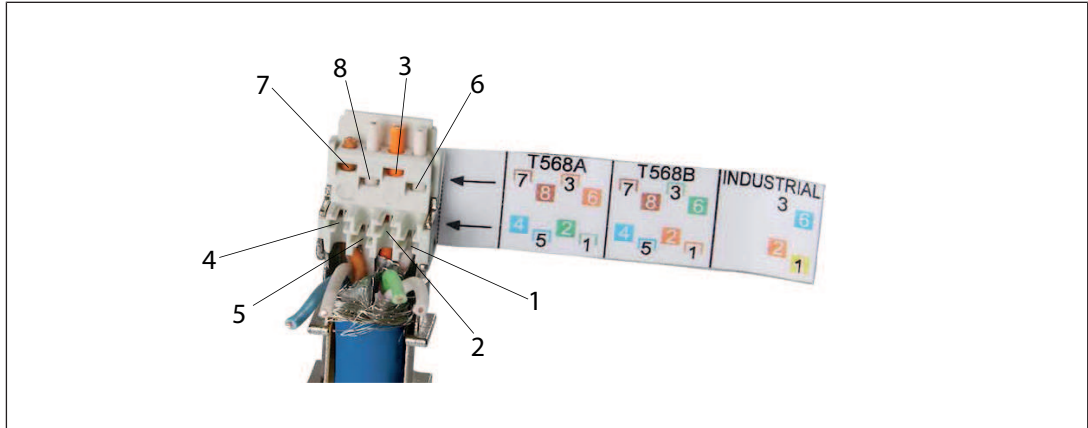
CECE®, CHRE®, CMSE®, INDUSTRIAL PI®, Leansafe®, MYZEL®, PAS4000®, PAS-cal®, PASconfig®, Pilz®, PIT®, PMCprimo®, PMCprotego®, PMctendo®, PMD®, PMI®, PNOZ®, Primo®, PSEN®, PSS®, PVIS®, SafetyBUS p®, SafetyEYE®, SafetyNET p®, THE SPIRIT OF SAFETY® are registered and protected trademarks of Pilz GmbH & Co. KG in some countries.



SD means Secure Digital

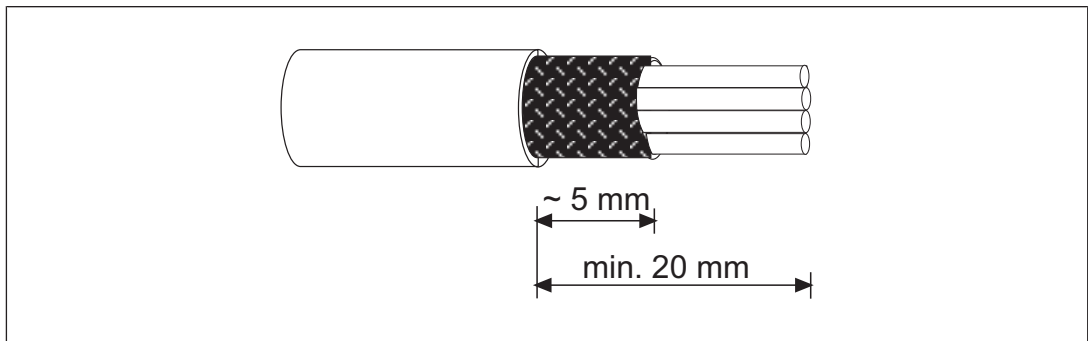
Plug-in connector RJ45

Connector pin assignment

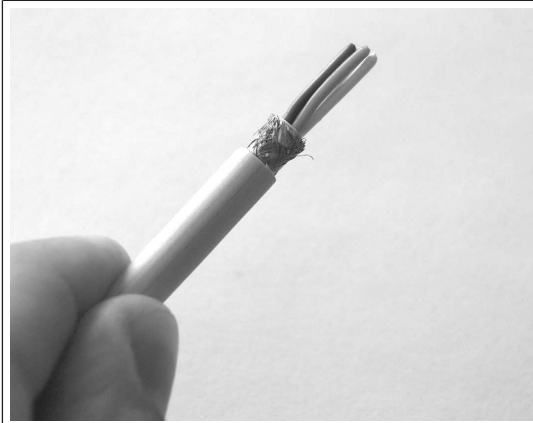


PIN	T568A	T568B	SafetyNET p
1	white-green	white-orange	yellow
2	green	orange	orange
3	white-orange	white-green	white
4	blue	blue	-
5	white-blue	white-blue	-
6	orange	green	blue
7	white-brown	white-brown	-
8	brown	brown	-

Recommended stripping length



Strip wires



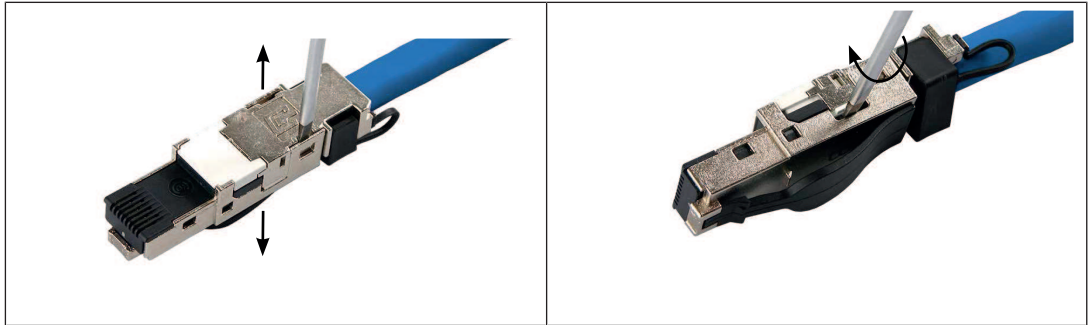
Remove the cable insulation and shorten the braided shield in accordance with the stripping length (see [Recommended stripping length \[📖 3\]](#)).

Untwist the wires.

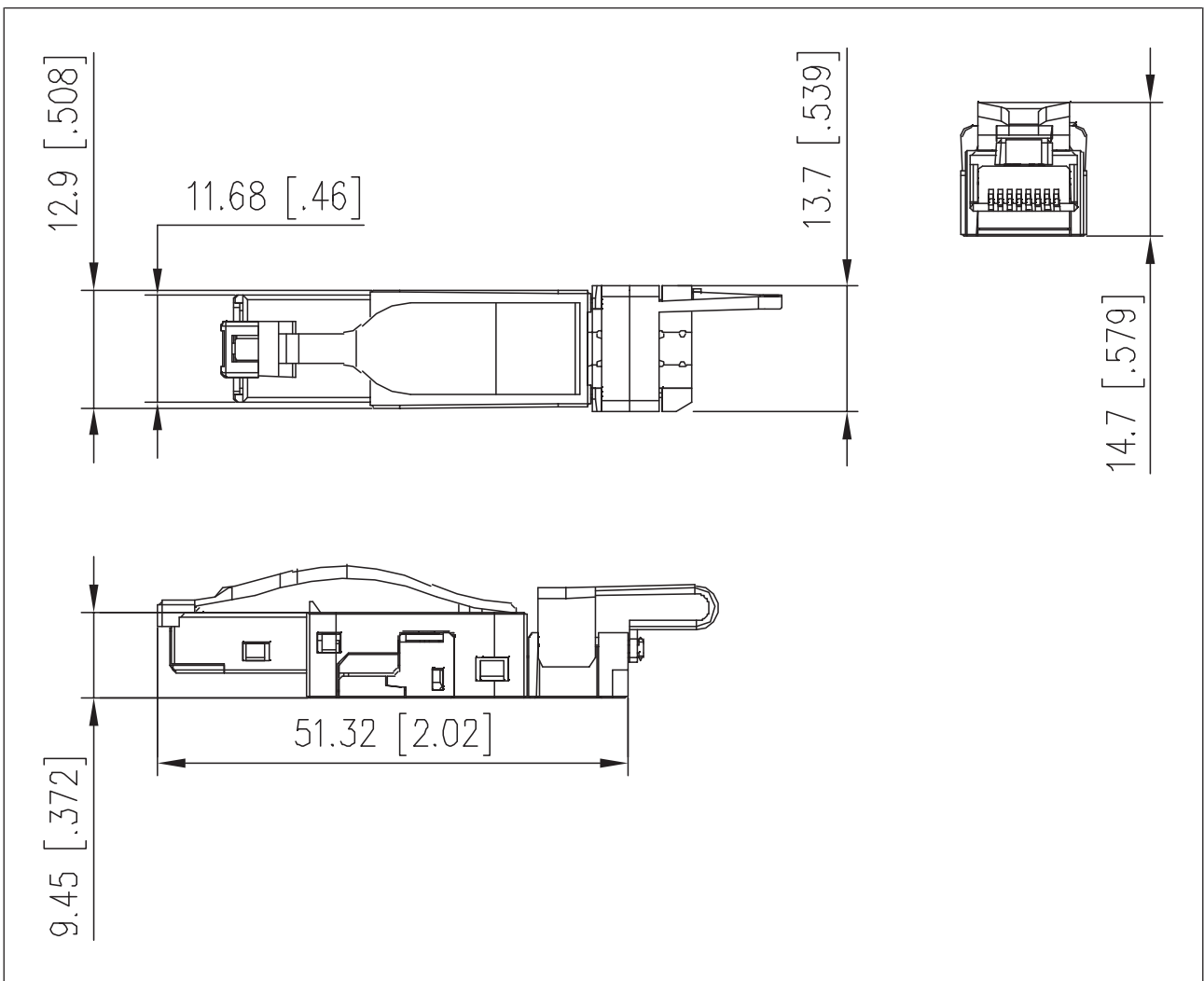
Assemble connectors

	<p>[1]: Connector [2]: Strain relief [3]: Cable</p>
	<p>Guide the individual wires into the terminals in accordance with the connector pin assignment (see Connector pin assignment [3]).</p>
	<p>Fix the cable strain relief at the connector. Make sure that it clearly locks into position.</p>
	<p>Cut off the cable ends flush. Use a precision side cutter to do this.</p>
	<p>Assemble the 2 connector components. Make sure that they clearly lock into position.</p>

Open connector housing



Dimensions in mm



Technical details

General	
Certifications	-
Electrical data	
Supply voltage	
Current load capacity at UB	1 A
Insulation resistance	500 MOhm
Environmental data	
Ambient temperature	
Temperature range	-30 - 90 °C
Storage temperature	
Temperature range	-30 - 90 °C
Protection type	
X1 when inserted	IP20
Mechanical data	
Plug connector X1	8-pin RJ45 male connector
in accordance with the standard	IEC 60603-7-1
Form, plug-in connector X1	Straight
Category of plug-in connector X1	Cat 6a
Housing material X1	GD-Zn
Material of contact surface X1	Ni, Au gal.
Material of pin	Cu alloy
Mating cycles X1	750
Material of shield surface cable K1	Ni
Colour of housing	Silver
Max. cable diameter K1	5,5 - 8,5 mm
Max. conductor cross section K1	0,355 mm ²
Max. conductor cross section AWG K1	22
Shielding K1	Yes
Certification plug-in connector X1	UL1863
Material	
Housing	GD-Zn
Weight	12 g

Order reference

Product type	Features	Product ID
RJ45 Connector		380401
SafetyNET p cable	4-core	380000

Support

Technical support is available from Pilz round the clock.

Americas

Brazil

+55 11 97569-2804

Canada

+1 888 315 7459

Mexico

+52 55 5572 1300

USA (toll-free)

+1 877-PILZUSA (745-9872)

Asia

China

+86 400-088-3566

Japan

+81 45 471-2281

South Korea

+82 31 778 3390

Australia and Oceania

Australia

+61 3 95600621

New Zealand

+64 9 6345350

Europe

Austria

+43 1 7986263-444

Belgium, Luxembourg

+32 9 3217570

France

+33 3 88104003

Germany

+49 711 3409-444

Ireland

+353 21 4804983

Italy, Malta

+39 0362 1826711

Scandinavia

+45 74436332

Spain

+34 938497433

Switzerland

+41 62 88979-32

The Netherlands

+31 347 320477

Türkiye

+90 216 5775552

United Kingdom

+44 1536 460866

You can reach our international hotline on:

+49 711 3409-222

support@pilz.com

Pilz develops environmentally-friendly products using ecological materials and energy-saving technologies. Offices and production facilities are ecologically designed, environmentally-aware and energy-saving. So Pilz offers sustainability, plus the security of using energy-efficient products and environmentally-friendly solutions.



We are represented internationally. Please refer to our homepage www.pilz.com for further details or contact our headquarters.

Headquarters: Pilz GmbH & Co. KG, Felix-Wankel-Straße 2, 73760 Ostfildern, Germany
Telephone: +49 711 3409-0, E-Mail: info@pilz.com, Internet: www.pilz.com

PILZ
THE SPIRIT OF SAFETY

CECE, CHRE, CMSE®, INDUSTRIAL Pi®, Leansafe®, Myzel®, PAS4000®, PAScal®, PASconfig®, Pilz®, PIT®, PMCPirimo®, PMCPirato®, PMCTiendo®, PMD®, PMi®, PNOZ®, Primo®, PSEN®, PSS®, PVIS®, SafetyBUS p®, SafetyNET p®, THE SPIRIT OF SAFETY® are registered and protected trademarks of Pilz GmbH & Co. KG in some countries. We would point out that product features may vary from the details stated in this document, depending on the status at the time of publication and the scope of the equipment. We accept no responsibility for the validity, accuracy and entirety of the text and graphics presented in this information. Please contact our Technical Support if you have any questions.

1004383-EN-02, 2026-04 Printed in Germany
© Pilz GmbH & Co. KG, 2024