



## ▶ PNOZ s9

**PILZ**  
THE SPIRIT OF SAFETY

Operating Manual-21401-EN-17  
- Safety relays



This document is a translation of the original document.

Where unavoidable, for reasons of readability, the masculine form has been selected when formulating this document. We do assure you that all persons are regarded without discrimination and on an equal basis.

All rights to this documentation are reserved by Pilz GmbH & Co. KG. Copies may be made for the user's internal purposes. Suggestions and comments for improving this documentation will be gratefully received.

CECE®, CHRE®, CMSE®, INDUSTRIAL PI®, Leansafe®, MYZEL®, PAS4000®, PAS-cal®, PASconfig®, Pilz®, PIT®, PMCprimo®, PMCprotego®, PMctendo®, PMD®, PMI®, PNOZ®, Primo®, PSEN®, PSS®, PVIS®, SafetyBUS p®, SafetyEYE®, SafetyNET p®, THE SPIRIT OF SAFETY® are registered and protected trademarks of Pilz GmbH & Co. KG in some countries.



SD means Secure Digital

<b>Introduction</b> .....	<b>5</b>
Validity of documentation .....	5
Using the documentation .....	5
Definition of symbols .....	5
<b>Safety</b> .....	<b>6</b>
Intended use .....	6
Safety regulations .....	7
Safety assessment .....	7
Use of qualified personnel .....	7
Warranty and liability .....	7
Disposal .....	8
For your safety .....	8
<b>Unit features</b> .....	<b>8</b>
<b>Safety features</b> .....	<b>8</b>
<b>Block diagram/terminal configuration</b> .....	<b>9</b>
<b>Function description</b> .....	<b>9</b>
Timing diagrams .....	10
Delay-on de-energisation, not retriggerable .....	10
Delay-on de-energisation, retriggerable .....	11
Pulse on switching on .....	12
Delay-on energisation .....	13
<b>Installation</b> .....	<b>13</b>
<b>Wiring</b> .....	<b>14</b>
<b>Preparing for operation</b> .....	<b>14</b>
Operating modes and delay time .....	14
Set operating modes .....	15
Set delay time .....	15
Connection .....	15
<b>Application examples</b> .....	<b>18</b>
<b>Operation</b> .....	<b>20</b>
Status indicators .....	21
Fault indicators .....	21

<b>Faults - malfunctions</b> .....	<b>22</b>
<b>Dimensions in mm</b> .....	<b>22</b>
<b>Technical details</b> .....	<b>23</b>
Safety characteristic data .....	28
Classification according to ZVEI, CB24I .....	28
<b>Supplementary data</b> .....	<b>29</b>
Service life graph .....	29
Operating height in accordance with EN 60664-1 .....	31
<b>Remove plug-in terminals</b> .....	<b>32</b>
<b>Order reference</b> .....	<b>32</b>
Product .....	32
Accessories .....	32
<b>EU/EC declaration of conformity</b> .....	<b>33</b>
<b>UKCA-Declaration of Conformity</b> .....	<b>33</b>

## Introduction

### Validity of documentation

This documentation is valid for the product PNOZ s9. It is valid until new documentation is published.

This operating manual explains the function and operation, describes the installation and provides guidelines on how to connect the product.

### Using the documentation

This document is intended for instruction. Only install and commission the product if you have read and understood this document. The document should be retained for future reference.

### Definition of symbols

Information that is particularly important is identified as follows:



#### **DANGER!**

This warning must be heeded! It warns of a hazardous situation that poses an immediate threat of serious injury and death and indicates preventive measures that can be taken.



#### **WARNING!**

This warning must be heeded! It warns of a hazardous situation that could lead to serious injury and death and indicates preventive measures that can be taken.



#### **CAUTION!**

This refers to a hazard that can lead to a less serious or minor injury plus material damage, and also provides information on preventive measures that can be taken.



#### **NOTICE**

This describes a situation in which the product or devices could be damaged and also provides information on preventive measures that can be taken. It also highlights areas within the text that are of particular importance.



### INFORMATION


This gives advice on applications and provides information on special features.

## Safety

### Intended use

The unit meets the requirements of EN 60947-5-1 and EN 60204-1. In conjunction with a base unit the unit is used as a

- ▶ Contact expansion module to increase the number of contacts available on a base unit. Base units are all safety relays with feedback loop monitoring.
- ▶ Pulse relay
  - In accordance with EN ISO 12100 (inching circuit for limited movement of hazardous machine components during installation, set up and positioning)
  - In safety circuits in accordance with EN 60204-1 (e.g. on movable guards)
- ▶ Safe timer, delay-on energisation
  - In accordance with EN ISO 14119 (release with delay through timer)
  - In safety circuits in accordance with EN 60204-1 (e.g. on movable guards)
- ▶ Safe timer, delay-on de-energisation
  - In safety circuits in accordance with EN 60204-1 (e.g. on movable guards)

The max. achievable safety level depends on the base unit. The expansion module may not exceed this. The safety-related characteristic values stated under [safety-related characteristic data](#) [ 28] can only be achieved if the base unit also exhibits these safety characteristic values.


- ▶ The unit can also be used without a base unit as a pulse relay or safe timer.

The unit is designed for use with

- ▶ Safety relays in the series PNOZsigma, PNOZ X, PNOZelog, PNOZmulti
- ▶ Safety gate monitors from the PST series
- ▶ Two-hand control relays from the PNOZsigma, P2HZ series

### Improper use

The following is deemed improper use in particular:

- ▶ Any component, technical or electrical modification to the product,
- ▶ Use of the product outside the areas described in this operating manual,
- ▶ Use of the product outside the technical details (see chapter entitled [Technical Details](#) [ 23]).



### **NOTICE**

#### **EMC-compliant electrical installation**

The product is designed for use in an industrial environment. The product may cause interference if installed in other environments. If installed in other environments, measures should be taken to comply with the applicable standards and directives for the respective installation site with regard to interference.

## **Safety regulations**

### **Safety assessment**

Before using a unit, a risk assessment is required in accordance with the Machinery Regulation.

Connecting additional units may result in further risks. Take the necessary measures to protect against corruption.

The product as an individual component fulfils the functional safety requirements in accordance with EN ISO 13849 and EN IEC 62061. However, this does not guarantee the functional safety of the overall plant/machine. To achieve the relevant safety level of the overall plant/machine's required safety functions, each safety function needs to be considered separately.

### **Use of qualified personnel**

The products may only be assembled, installed, programmed, commissioned, operated, decommissioned and maintained by persons who are competent to do so.

A competent person is a qualified and knowledgeable person who, because of their training, experience and current professional activity, has the specialist knowledge required. In order to inspect, assess and handle products, devices, systems, plant and machinery, this person must be familiar with the state of the art and the applicable national, European and international laws, directives and standards.

It is the company's responsibility only to employ personnel who

- ▶ Are familiar with the basic regulations concerning health and safety / accident prevention,
- ▶ Have read and understood the information provided in the section entitled Safety
- ▶ Have a good knowledge of the generic and specialist standards applicable to the specific application.

### **Warranty and liability**

All claims to warranty and liability will be rendered invalid if

- ▶ The product was used contrary to the purpose for which it is intended,
- ▶ Damage can be attributed to not having followed the guidelines in the manual,
- ▶ Operating personnel are not suitably qualified,
- ▶ Any type of modification has been made (e.g. exchanging components on the PCB boards, soldering work etc.).

**Disposal**

- ▶ In safety-related applications, please comply with the mission time  $T_M$  stated in the safety-related characteristic data.
- ▶ When decommissioning, please comply with local regulations regarding the disposal of electronic devices (e.g. Electrical and Electronic Equipment Act).

**For your safety**

The unit meets all the necessary conditions for safe operation. However, please note the following:

- ▶ Note for overvoltage category III: If voltages higher than low voltage (>50 VAC or >120 VDC) are present on the unit, connected control elements and sensors must have a rated insulation voltage of at least 250 V.

**Unit features**

- ▶ Positive-guided relay outputs, either instantaneous, delay-on de-energisation (also retriggerable), pulsing or delay-on energisation:
  - 3 safety contacts
  - 1 auxiliary contact
- ▶ Switch-on time, pulse time or delay-on de-energisation selectable with rotary switches
- ▶ LED indicator for:
  - Supply voltage
  - Input status, channel 1
  - Input status, channel 2
  - Switch status channel 1/2
  - Start circuit
  - Error
- ▶ Plug-in connection terminals (either spring-loaded terminal or screw terminal)
- ▶ See order reference for unit types

**Safety features**

The unit meets the following safety requirements:

- ▶ The unit monitors its own output contacts.
- ▶ The safety function remains effective in the case of a component failure.
- ▶ Earth fault in the feedback loop is detected.
- ▶ Earth fault in the input circuit:

The output relays de-energise and the safety contacts open.

## Block diagram/terminal configuration

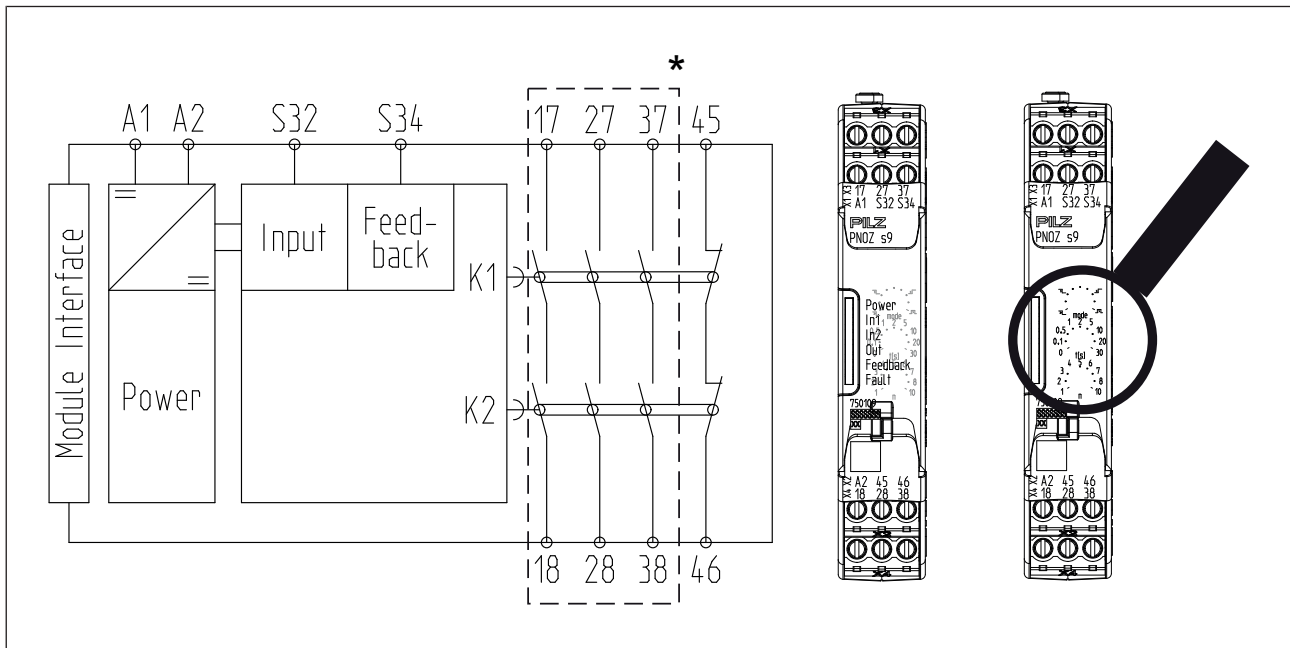






Fig.: Centre: Front view with cover, right: Front view without cover

\*Safe separation from non-marked area in accordance with EN 60947-1, 6 kV, basic insulation between all safety contacts.

### Function description

- ▶  Delay-on de-energisation, not retriggerable  
If the supply voltage at the input circuit is interrupted, the safety contacts will open once the set release time has elapsed, even if the safety function is cancelled during the delay time. The unit cannot be reactivated until the delay time has elapsed.
- ▶  Delay-on de-energisation, retriggerable  
(only possible as a standalone application or with the PNOZsigma base unit!)  
If the supply voltage at the input circuit is interrupted, the safety contacts will open once the set release time has elapsed.  
If the safety function is cancelled during the delay time (e.g. safety gate closed), the unit will remain active.
- ▶  Pulse on switching on  
The safety contacts close when supply voltage is applied, the feedback loop is closed and finally the input circuit is closed. The safety contacts are reopened once the pulse time has elapsed.  
If the input circuit is opened for more than 10 ms during the pulse time, the safety contacts will open immediately and the auxiliary contact will be closed.
- ▶  Delay-on energisation  
The set delay time is started when supply voltage is applied, the feedback loop is closed and finally the input circuit is closed.  
If the input circuit and feedback loop are closed once the delay time has elapsed, the

safety contacts will close and the auxiliary contact will be opened.

If the input circuit is opened for more than 10 ms, the safety contacts will open immediately and the auxiliary contact will be closed.

with PNOZsigma base unit:

- ▶ Dual-channel operation via PNOZsigma connector

with other base units or without base unit:

- ▶ Single-channel operation: one input circuit affects the output relays

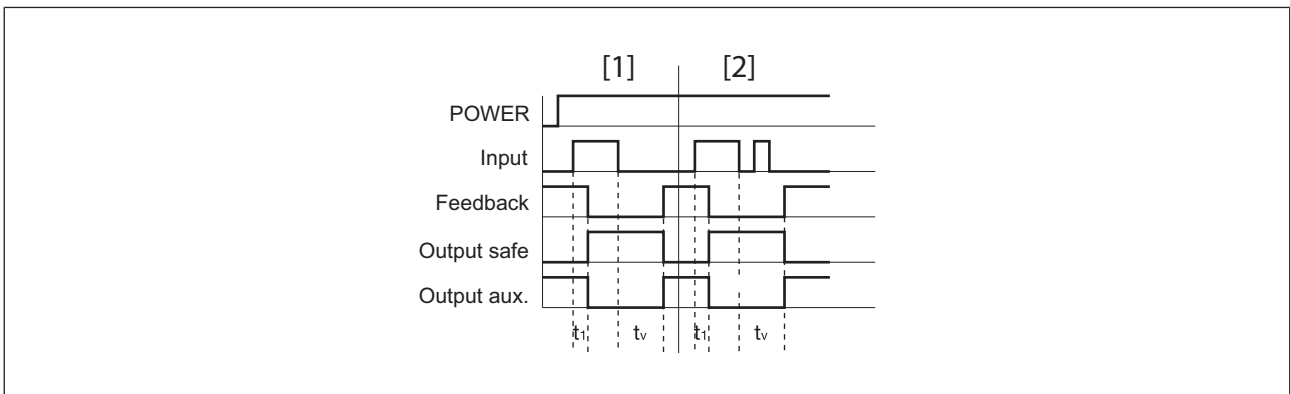


**NOTICE**

The device does not recognise short circuits or shorts across contacts in the start/feedback loop. Take suitable measures, such as fault exclusion through protected or separate installation.

**Timing diagrams**

**Delay-on de-energisation, not retriggerable**



**Legend**

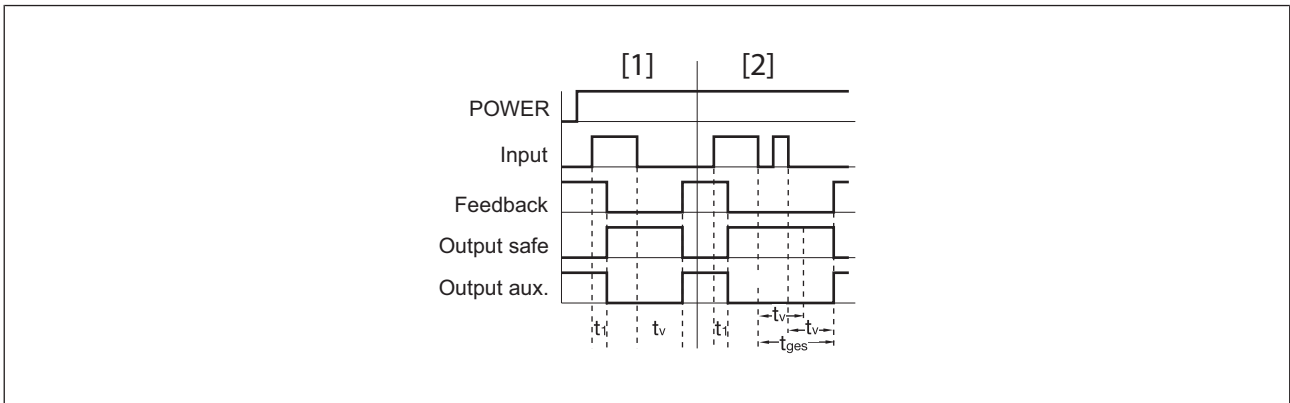
- ▶ POWER: Supply voltage
- ▶ Input: Input circuit
- ▶ Output safe: Safety contacts
- ▶ Output aux: Auxiliary contact
- ▶ Feedback: Feedback loop input
- ▶  $t_i$ : Switch-on delay
- ▶  $t_v$ : Delay time
- ▶ [1]: Delay-on de-energisation with the time  $t_v$
- ▶ [2]: No retriggering in the time  $t_v$



**NOTICE**

In the case of a fault, the delay-on de-energisation safety contacts open after the set delay time + 20 ms + 15% of the set value, at the latest. An earlier shutdown is possible. For this reason, safety functions that require a minimum delay time must not be implemented.

**Delay-on de-energisation, retriggerable**



**Legend**

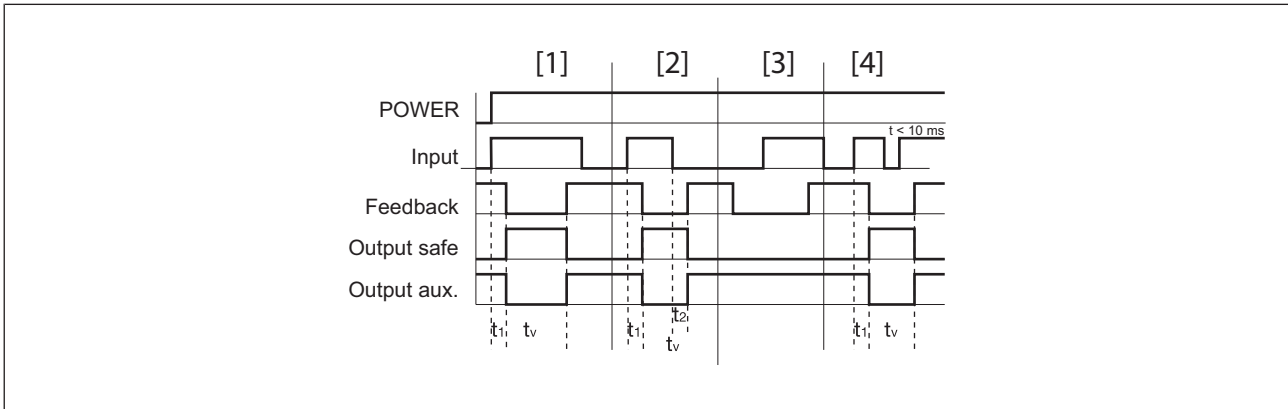
- ▶ POWER: Supply voltage
- ▶ Input: Input circuit
- ▶ Output safe: Safety contacts
- ▶ Output aux: Auxiliary contact
- ▶ Feedback: Feedback loop input
- ▶  $t_1$ : Switch-on delay
- ▶  $t_v$ : Delay time
- ▶  $t_{ges}$ : Overall delay time
- ▶ [1]: Delay-on de-energisation with the time  $t_v$
- ▶ [2]: Retriggering in the time  $t_v$  for overall delay-on de-energisation  $t_{ges}$



**NOTICE**

In the case of a fault, the delay-on de-energisation safety contacts open after the set delay time + 20 ms + 15% of the set value, at the latest. An earlier shutdown is possible. For this reason, safety functions that require a minimum delay time must not be implemented.

## Pulse on switching on



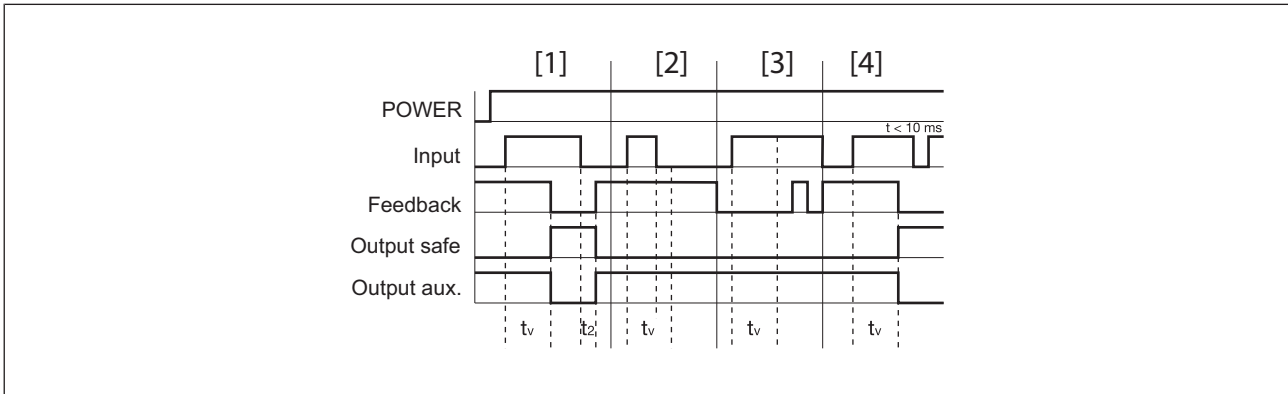
## Legend

- ▶ POWER: Supply voltage
- ▶ Input: Input circuit
- ▶ Output safe: Safety contacts
- ▶ Output aux.: Auxiliary contact
- ▶ Feedback: Feedback loop input
- ▶  $t_1$ : Switch-on delay
- ▶  $t_2$ : Delay-on de-energisation
- ▶  $t_v$ : Delay time (pulse time)
- ▶ [1]: Normal operating cycle
- ▶ [2]: Fault: Input circuit opened too early
- ▶ [3]: Fault: Feedback loop closed too late
- ▶ [4]: Normal operating cycle with supply interruption < 10 ms

**NOTICE**

In the case of a fault, the delay-on de-energisation safety contacts open after the set delay time + 20 ms + 15% of the set value, at the latest. An earlier shutdown is possible. For this reason, safety functions that require a minimum delay time must not be implemented.

## Delay-on energisation



### Legend

- ▶ POWER: Supply voltage
- ▶ Input: Input circuit
- ▶ Output safe: Safety contacts
- ▶ Output aux: Auxiliary contact
- ▶ Feedback: Feedback loop input
- ▶  $t_2$ : Delay-on de-energisation
- ▶  $t_v$ : Delay time
- ▶ [1]: Normal operating cycle
- ▶ [2]: Fault: Input circuit opened too early, before  $t_v$  expired
- ▶ [3]: Fault: Feedback loop closed too late after  $t_v$  elapsed
- ▶ [4]: Normal operating cycle with supply interruption < 10 ms



### NOTICE

In the case of a fault, the delay-on de-energisation safety contacts open after the set delay time - 20 ms - 15% of the set value, at the earliest. An earlier shutdown is possible. For this reason, safety functions that require a minimum delay time must not be implemented.

## Installation



### NOTICE

#### Protection against manipulation

Protect the product from unauthorised access.

#### Install contact expansion module without base unit:

- ▶ Ensure that the plug terminator is inserted at the side of the unit.

#### Connect base unit and PNOZsigma contact expansion module:

- ▶ Remove the plug terminator at the side of the base unit and at the contact expander module

- ▶ Connect the base unit and the contact expansion module using the connector supplied, before mounting the units to the DIN rail.

### Control cabinet installation

- ▶ Install the safety relay in a control cabinet with a protection type of at least IP54.
- ▶ Use the notch on the rear of the unit to attach it to a DIN rail (35 mm).
- ▶ When installed vertically: secure the device by using a fixing element (e.g. retaining bracket or end angle).
- ▶ Push the unit upwards or downwards before lifting it from the DIN rail.

## Wiring

Please note:

- ▶ Information given in the "[Technical details \[23\]](#)" must be followed.
- ▶ Outputs 17-18, 27-28, 37-38 are safety contacts; output 45-46 is an auxiliary contact (e.g. for display).
- ▶ Auxiliary contact 45-46 should **not** be used for safety circuits!
- ▶ To prevent contact welding, a fuse should be connected before the output contacts (see [Technical details \[23\]](#)).
- ▶ Calculation of the max. cable length  $l_{\max}$  in the input circuit:

$$l_{\max} = \frac{R_{l_{\max}}}{R_l / \text{km}}$$

$R_{l_{\max}}$  = max. overall cable resistance (see [Technical details \[23\]](#))

$R_l / \text{km}$  = cable resistance/km

- ▶ Use copper wiring with a temperature stability of 75 °C.
- ▶ To prevent EMC interferences (particularly common-mode interferences) the measures described in EN 60204-1 must be executed. This includes the separate routing of cables of the control circuits (input, start and feedback loop) from other cables for energy transmission or the shielding of cables, for example.
- ▶ Adequate protection circuit must be provided on all output contacts with capacitive and inductive loads.
- ▶ The power supply must comply with the regulations for extra low voltages with protective electrical separation (SELV, PELV) in accordance with VDE 0100, Part 410.

## Preparing for operation

### Operating modes and delay time

The operating mode and delay time are set via the rotary switches on the unit. You can do this by opening the cover on the front of the unit.



#### NOTICE

Always carry out the following steps before the unit is set for the first time and with each change of the rotary switch.

**Check that the rotary switch locks into position correctly:**

- ▶ Turn the rotary switch as far as it will go to the left and right.
- ▶ Check the click sound and "click feel" in each individual position.

When you bring the rotary switch to the desired position, make sure that the rotary switch locks in position (click feel). The actual lock-in position may vary slightly from the labelling, as there are minor manufacturing tolerances.






**Protection against manipulation**

Attach the rotary switch using an adhesive seal (see [order reference \[📖 32\]](#)).

If the adhesive seal is broken, check the setting.

**Set operating modes**

- ▶ Switch off supply voltage.
- ▶ Select operating mode via the operating mode selector switch "mode".
- ▶ If the operating mode selector switch "mode" is in its start position (vertical position), an error message will appear.

operating mode selector switch "mode"	delay-on de-energisation, not retriggerable	delay-on de-energisation, retriggerable	delay-on energisation	pulse on switching on
				

**Set delay time**

Time selector switch "t[s]"

Factor selector switch "n"

$n \times t[s] = \text{Delay time}$

Example:

$t = 4 \text{ s}, n = 5$

Delay time =  $5 \times 4 = 20 \text{ s}$



**NOTICE**

Do not adjust the rotary switch during operation, otherwise an error message will appear, the safety contacts will open and the unit will not be ready for operation until the supply voltage has been switched off and then on again.

**Connection**



**INFORMATION**

The supply voltage may only be connected as shown in the examples listed below!

► Supply voltage

Supply voltage	AC	DC

► 1-channel input circuit/feedback loop

Input circuit	Input circuit	Feedback loop
Without base unit (stand-alone)		
Base unit: Safety relay PNOZ X		
Base unit: Safety relay PNOZelog; driven via semiconductor outputs (24 VDC)		



**INFORMATION**

**Feedback loop**

The inputs that evaluate the feedback loop will depend on the base unit and application.

\* with PNOZelog as a base unit:

The delay-on de-energisation of PNOZ s9 that can be set may only be used with the safety relay PNOZ e1p. Other PNOZelog safety relays must be operated without delay-on de-energisation.

► 2-channel input circuit

	Base unit: Safety relays PNOZ s3, PNOZ s4, PNOZ s5	Base unit: Safety relays PNOZ s1, PNOZ s2
The input circuit is connected and evaluated via the connector.		

	Base unit: Two-hand control relay PNOZ s6	Base unit: Two-hand control relay PNOZ s6.1
The input circuit is connected and evaluated via the connector.		



**INFORMATION**

If a base unit and a contact expansion module from the PNOZsigma range are linked via the connector, no additional wiring is necessary.  
Do not connect S32 on the contact expansion module!

► Application

	Without feedback loop	With feedback loop
Without base unit		

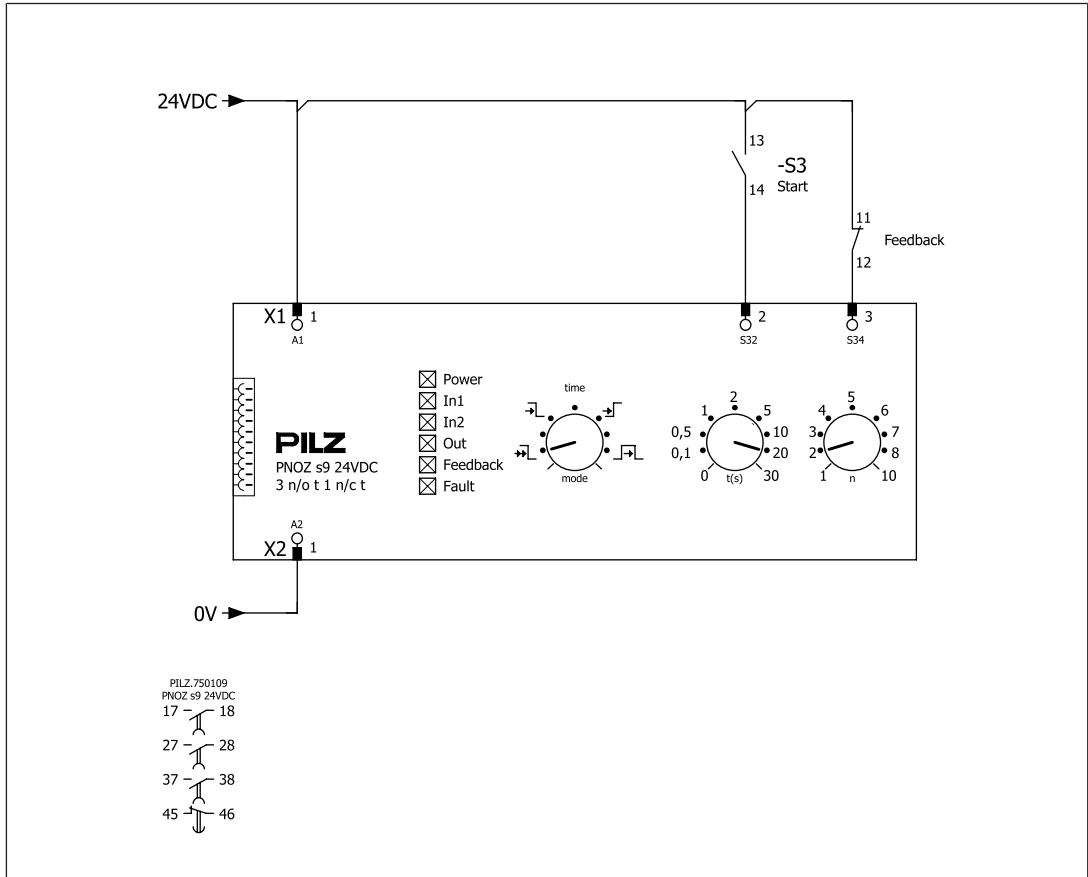
**Legend**

- S3: Start button

## Application examples

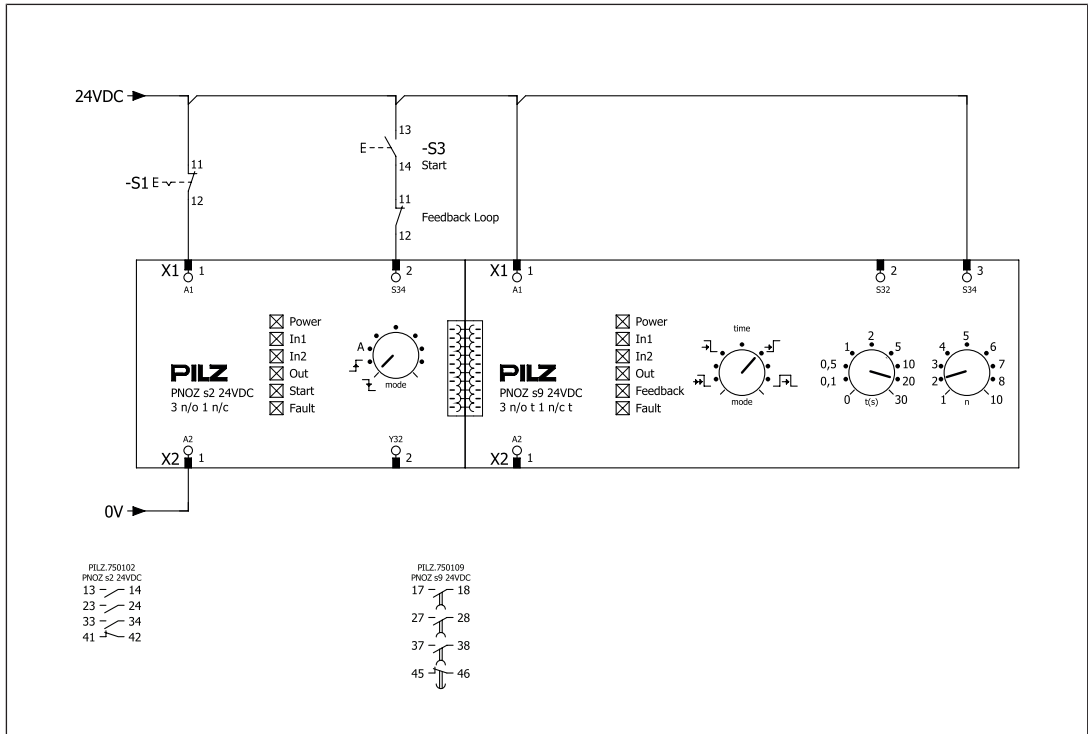
### Single device

- ▶ Delay-on de-energisation, retriggerable
- ▶ with feedback loop monitoring
- ▶ 40s delay-on de-energisation



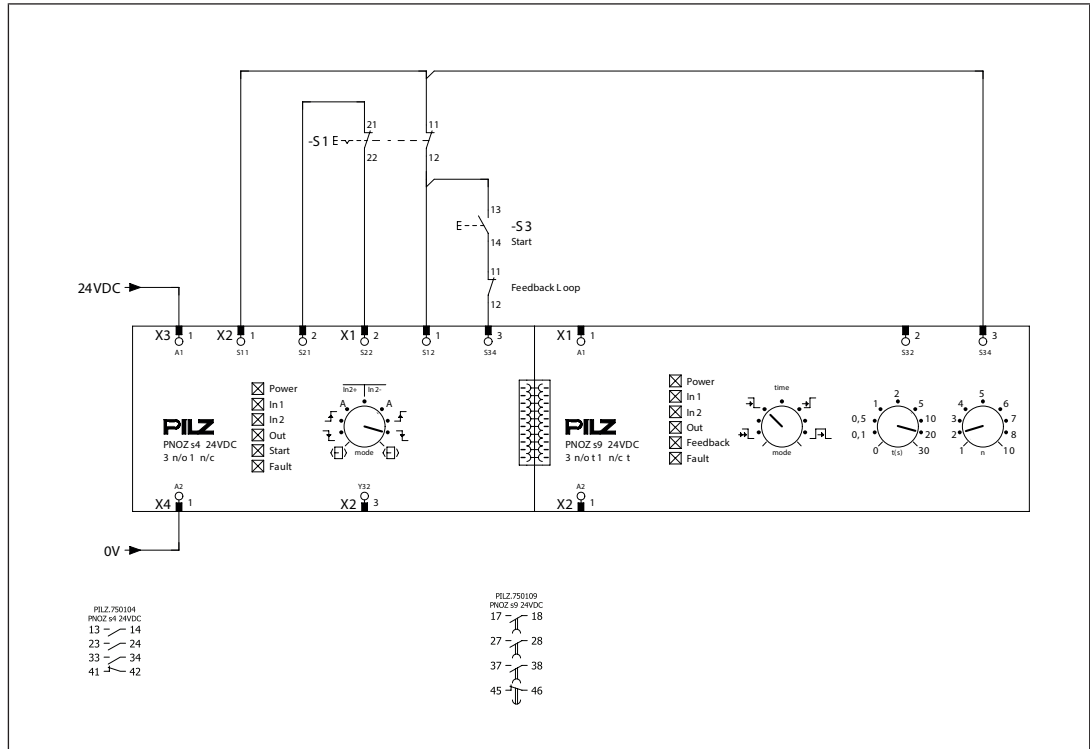
**Combined with PNOZ s2**

- ▶ Emergency stop
- ▶ Single-channel
- ▶ Monitored start
- ▶ falling edge with feedback loop monitoring
- ▶ Delay-on energisation
- ▶ 40s delay-on de-energisation



**Combined with PNOZ s4**

- ▶ Emergency stop
- ▶ Dual-channel
- ▶ with detection of shorts across contacts
- ▶ Monitored start
- ▶ falling edge with feedback loop monitoring
- ▶ Delay-on de-energisation, not retriggerable
- ▶ 40s delay-on de-energisation



**Operation**

When the relay outputs are switched on, the mechanical contact on the relay cannot be tested automatically. Depending on the operational environment, measures to detect the non-opening of switching elements may be required under some circumstances.

When the product is used in accordance with the European Machinery Regulation, a check must be carried out to ensure that the safety contacts on the relay outputs open correctly. Open the safety contacts (switch off output) and start the device again, so that the internal diagnostics can check that the safety contacts open correctly

- ▶ For SIL 3/PL e, at least 1x per month
- ▶ For SIL 2/PL d, at least 1x per year





**NOTICE**

The safety functions should be checked after initial commissioning and each time the plant/machine is changed. The safety functions may only be checked by qualified personnel.

The unit is ready for operation when the Power LED is permanently lit.

LEDs indicate the status and errors during operation:







-  LED on
-  LED flashes




#### INFORMATION

Status indicators and error indicators may occur independently. In the case of an error display, the "Fault" LED will light or flash (exception: "Supply voltage too low"). An LED that is also flashing indicates the potential cause of the error. An LED that is lit and is static indicates a normal operating status. Several status indicators and error indicators may occur simultaneously.

#### Status indicators

-  **POWER**  
Supply voltage is present.
-  **IN1**  
Input circuit at S32 is closed.
-  **IN2**  
Input circuit at S32 is closed.
-  **OUT**  
Safety contacts are closed.
-  **FEEDBACK**  
24 VDC is present at S34.
-  **OUT**  
Set delay time is running.

#### Fault indicators

-  **FAULT**  
Diagnostics: Plug terminator not connected  
  - ▶ Remedy: Insert plug terminator, switch supply voltage off and then on again.
 With base unit PNOZsigma:  
 Diagnostics: Input circuit S32 is closed without authorisation



**FAULT**

Diagnostics: Internal error, unit defective

- ▶ Remedy: Switch supply voltage off and then on again, change unit if necessary.



**POWER**

Diagnostics: Supply voltage too low

- ▶ Remedy: Check supply voltage and increase if necessary.



**FEED-BACK**



**FAULT**

Diagnostics: Position of rotary switch is not permitted or rotary switch was adjusted during operation.

- ▶ Remedy: Switch supply voltage off and then on again.



**POWER, IN1, IN2, OUT, FEEDBACK, FAULT**

Diagnostics: The operating mode selector switch "mode" is in its start position (vertical position)

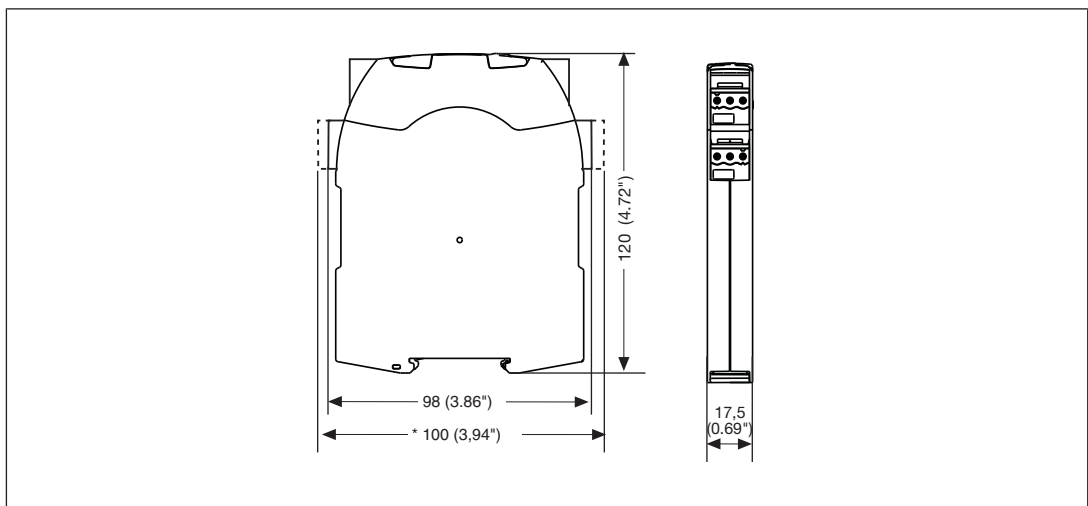
- ▶ Remedy: Switch off the supply voltage and set the required operating mode on operating mode selector switch "mode".

**Faults - malfunctions**

- ▶ Contact malfunctions: If the contacts have welded, reactivation will not be possible after the input circuit has opened.
- ▶ In the case of an error, the delay-on de-energisation contacts may open before the delay time has elapsed.

**Dimensions in mm**

\*with spring-loaded terminals



## Technical details

Where standards are undated, the 2022-09 valid editions apply.

General	750109	751109	751189
Certifications	CCC, CE, EAC, KOSHA, TÜV, UKCA, cULus Listed	CCC, CE, EAC, KOSHA, TÜV, UKCA, cULus Listed	CCC, CE, EAC, KOSHA, TÜV, UKCA, cULus Listed
Electrical data	750109	751109	751189
Supply voltage			
Voltage	24 V	24 V	24 V
Kind	DC	DC	DC
Voltage tolerance	-20 %/+20 %	-20 %/+20 %	-20 %/+20 %
Output of external power supply (DC)	2 W	2 W	2 W
Residual ripple DC	20 %	20 %	20 %
Duty cycle	100 %	100 %	100 %
Max. inrush current impulse			
Current pulse, A1	0,7 A	0,7 A	0,7 A
Pulse duration, A1	10 ms	10 ms	10 ms
Max. overall cable resistance R <sub>lmax</sub>			
Feedback loop	30 Ohm	30 Ohm	30 Ohm
A1/A2	20 Ohm	20 Ohm	20 Ohm
Inputs	750109	751109	751189
Voltage at			
Feedback loop DC	24 V	24 V	24 V
Current at			
Input circuit DC	15 mA	15 mA	15 mA
Feedback loop DC	15 mA	15 mA	15 mA
Max. inrush current impulse			
Current pulse, input circuit	0,1 A	0,1 A	0,1 A
Pulse duration, input circuit	20 µs	20 µs	20 µs
Current pulse, feedback loop	0,1 A	0,1 A	0,1 A
Pulse duration, feedback loop	20 µs	20 µs	20 µs
Max. overall cable resistance R <sub>lmax</sub>			
Single-channel at UB DC	30 Ohm	30 Ohm	30 Ohm

<b>Relay outputs</b>	<b>750109</b>	<b>751109</b>	<b>751189</b>
Number of output contacts			
Safety contacts (N/O), delayed	<b>3</b>	<b>3</b>	<b>3</b>
Auxiliary contacts (N/C), delayed	<b>1</b>	<b>1</b>	<b>1</b>
Max. short circuit current IK	<b>1 kA</b>	<b>1 kA</b>	<b>1 kA</b>
Utilisation category in accordance with the standard	<b>EN 60947-4-1</b>	<b>EN 60947-4-1</b>	<b>EN 60947-4-1</b>
Utilisation category of safety contacts			
AC1 at	<b>240 V</b>	<b>240 V</b>	<b>240 V</b>
Min. current	<b>0,003 A</b>	<b>0,003 A</b>	<b>0,003 A</b>
Max. current	<b>6 A</b>	<b>6 A</b>	<b>6 A</b>
Min. power	<b>0,04 VA</b>	<b>0,04 VA</b>	<b>0,04 VA</b>
Max. power	<b>1.500 VA</b>	<b>1.500 VA</b>	<b>1.500 VA</b>
DC1 at	<b>24 V</b>	<b>24 V</b>	<b>24 V</b>
Min. current	<b>0,003 A</b>	<b>0,003 A</b>	<b>0,003 A</b>
Max. current	<b>6 A</b>	<b>6 A</b>	<b>6 A</b>
Min. power	<b>0,04 W</b>	<b>0,04 W</b>	<b>0,04 W</b>
Max. power	<b>150 W</b>	<b>150 W</b>	<b>150 W</b>
Utilisation category of auxiliary contacts			
AC1 at	<b>240 V</b>	<b>240 V</b>	<b>240 V</b>
Min. current	<b>0,003 A</b>	<b>0,003 A</b>	<b>0,003 A</b>
Max. current	<b>6 A</b>	<b>6 A</b>	<b>6 A</b>
Min. power	<b>0,04 VA</b>	<b>0,04 VA</b>	<b>0,04 VA</b>
Max. power	<b>1500 VA</b>	<b>1500 VA</b>	<b>1500 VA</b>
DC1 at	<b>24 V</b>	<b>24 V</b>	<b>24 V</b>
Min. current	<b>0,003 A</b>	<b>0,003 A</b>	<b>0,003 A</b>
Max. current	<b>6 A</b>	<b>6 A</b>	<b>6 A</b>
Min. power	<b>0,04 W</b>	<b>0,04 W</b>	<b>0,04 W</b>
Max. power	<b>150 W</b>	<b>150 W</b>	<b>150 W</b>
Utilisation category in accordance with the standard	<b>EN 60947-5-1</b>	<b>EN 60947-5-1</b>	<b>EN 60947-5-1</b>
Utilisation category of safety contacts			
AC15 at	<b>230 V</b>	<b>230 V</b>	<b>230 V</b>
Max. current	<b>5 A</b>	<b>5 A</b>	<b>5 A</b>
DC13 (6 cycles/min) at	<b>24 V</b>	<b>24 V</b>	<b>24 V</b>
Max. current	<b>5 A</b>	<b>5 A</b>	<b>5 A</b>

<b>Relay outputs</b>	<b>750109</b>	<b>751109</b>	<b>751189</b>
Utilisation category of auxiliary contacts			
AC15 at	<b>230 V</b>	<b>230 V</b>	<b>230 V</b>
Max. current	<b>5 A</b>	<b>5 A</b>	<b>5 A</b>
DC13 (6 cycles/min) at	<b>24 V</b>	<b>24 V</b>	<b>24 V</b>
Max. current	<b>5 A</b>	<b>5 A</b>	<b>5 A</b>
Utilisation category in accordance with UL			
Voltage	<b>240 V AC G.U. (same polarity)</b>	<b>240 V AC G.U. (same polarity)</b>	<b>240 V AC G.U. (same polarity)</b>
with current	<b>6 A</b>	<b>6 A</b>	<b>6 A</b>
Voltage	<b>24 V DC G. U.</b>	<b>24 V DC G. U.</b>	<b>24 V DC G. U.</b>
with current	<b>6 A</b>	<b>6 A</b>	<b>6 A</b>
External contact fuse protection, safety contacts			
in accordance with the standard	<b>EN 60947-5-1</b>	<b>EN 60947-5-1</b>	<b>EN 60947-5-1</b>
Max. melting integral	<b>260 A<sup>2</sup>s</b>	<b>260 A<sup>2</sup>s</b>	<b>260 A<sup>2</sup>s</b>
Blow-out fuse, quick	<b>10 A</b>	<b>10 A</b>	<b>10 A</b>
Blow-out fuse, slow	<b>6 A</b>	<b>6 A</b>	<b>6 A</b>
Blow-out fuse, gG	<b>10 A</b>	<b>10 A</b>	<b>10 A</b>
Circuit breaker 24V AC/DC, characteristic B/C	<b>6 A</b>	<b>6 A</b>	<b>6 A</b>
External contact fuse protection, auxiliary contacts			
Max. melting integral	<b>160 A<sup>2</sup>s</b>	<b>160 A<sup>2</sup>s</b>	<b>160 A<sup>2</sup>s</b>
Blow-out fuse, quick	<b>10 A</b>	<b>10 A</b>	<b>10 A</b>
Blow-out fuse, slow	<b>6 A</b>	<b>6 A</b>	<b>6 A</b>
Blow-out fuse, gG	<b>6 A</b>	<b>6 A</b>	<b>6 A</b>
Circuit breaker, 24 V AC/DC, characteristic B/C	<b>6 A</b>	<b>6 A</b>	<b>6 A</b>
Conventional thermal current			
	<b>6 A</b>	<b>6 A</b>	<b>6 A</b>
Contact material	<b>AgCuNi + 0,2 µm Au</b>	<b>AgCuNi + 0,2 µm Au</b>	<b>AgCuNi + 0,2 µm Au</b>
<b>Times</b>	<b>750109</b>	<b>751109</b>	<b>751189</b>
Switch-on delay			
with manual start typ.	<b>60 ms</b>	<b>60 ms</b>	<b>60 ms</b>
with manual start max.	<b>80 ms</b>	<b>80 ms</b>	<b>80 ms</b>
Delay-on de-energisation			
with E-STOP typ.	<b>40 ms</b>	<b>40 ms</b>	<b>40 ms</b>
with E-STOP max.	<b>50 ms</b>	<b>50 ms</b>	<b>50 ms</b>
with power failure typ.	<b>125 ms</b>	<b>125 ms</b>	<b>125 ms</b>
with power failure max.	<b>250 ms</b>	<b>250 ms</b>	<b>250 ms</b>

<b>Times</b>	<b>750109</b>	<b>751109</b>	<b>751189</b>
Recovery time at max. switching frequency 1/s after power failure	1 s	1 s	1 s
Delay time tv	0,04 s, 0,1 s, 0,2 s, 0,3 s, 0,4 s, 0,5 s, 0,6 s, 0,7 s, 0,8 s, 1 s, 1,5 s, 2 s, 2,5 s, 3 s, 3,5 s, 4 s, 5 s, 6 s, 7 s, 8 s, 10 s, 12 s, 14 s, 15 s, 16 s, 20 s, 25 s, 30 s, 35 s, 40 s, 50 s, 60 s, 70 s, 80 s, 90 s, 100 s, 120 s, 140 s, 150 s, 160 s, 180 s, 200 s, 210 s, 240 s, 300 s	0,04 s, 0,1 s, 0,2 s, 0,3 s, 0,4 s, 0,5 s, 0,6 s, 0,7 s, 0,8 s, 1 s, 1,5 s, 2 s, 2,5 s, 3 s, 3,5 s, 4 s, 5 s, 6 s, 7 s, 8 s, 10 s, 12 s, 14 s, 15 s, 16 s, 20 s, 25 s, 30 s, 35 s, 40 s, 50 s, 60 s, 70 s, 80 s, 90 s, 100 s, 120 s, 140 s, 150 s, 160 s, 180 s, 200 s, 210 s, 240 s, 300 s	0,04 s, 0,1 s, 0,2 s, 0,3 s, 0,4 s, 0,5 s, 0,6 s, 0,7 s, 0,8 s, 1 s, 1,5 s, 2 s, 2,5 s, 3 s, 3,5 s, 4 s, 5 s, 6 s, 7 s, 8 s, 10 s, 12 s, 14 s, 15 s, 16 s, 20 s, 25 s, 30 s, 35 s, 40 s, 50 s, 60 s, 70 s, 80 s, 90 s, 100 s, 120 s, 140 s, 150 s, 160 s, 180 s, 200 s, 210 s, 240 s, 300 s
Time accuracy	+/-1 % + +/-20 ms	+/-1 % + +/-20 ms	+/-1 % + +/-20 ms
Repetition accuracy	+/-1 % + +/-20 ms	+/-1 % + +/-20 ms	+/-1 % + +/-20 ms
Repetition accuracy in the event of an error	+/-15 % + +/-20 ms	+/-15 % + +/-20 ms	+/-15 % + +/-20 ms
Min. delay time (operating mode delay-on energisation)	tv - 15 % - 20 ms	tv - 15 % - 20 ms	tv - 15 % - 20 ms
Max. delay time	tv + 15 % + 20 ms	tv + 15 % + 20 ms	tv + 15 % + 20 ms
Supply interruption before de-energisation in the input circuit	10 ms	10 ms	10 ms
Supply interruption before de-energisation	10 ms	10 ms	10 ms
<b>Environmental data</b>	<b>750109</b>	<b>751109</b>	<b>751189</b>
Climatic suitability	EN 60068-2-78	EN 60068-2-78	EN 60068-2-78
Ambient temperature			
Temperature range	-10 - 55 °C	-10 - 55 °C	-10 - 55 °C
Storage temperature			
Temperature range	-40 - 85 °C	-40 - 85 °C	-40 - 85 °C
Climatic suitability			
Humidity	93 % r. h. at 40 °C	93 % r. h. at 40 °C	93 % r. h. at 40 °C
Condensation during operation	Not permitted	Not permitted	Not permitted
EMC	EN 60947-5-1, EN 61000-6-2, EN 61000-6-4, EN 61326-3-1	EN 60947-5-1, EN 61000-6-2, EN 61000-6-4, EN 61326-3-1	EN 60947-5-1, EN 61000-6-2, EN 61000-6-4, EN 61326-3-1
Vibration			
in accordance with the standard	EN 60068-2-6	EN 60068-2-6	EN 60068-2-6
Frequency	10 - 55 Hz	10 - 55 Hz	10 - 55 Hz
Amplitude	0,35 mm	0,35 mm	0,35 mm

<b>Environmental data</b>	<b>750109</b>	<b>751109</b>	<b>751189</b>
Airgap creepage			
in accordance with the standard	<b>EN 60947-1</b>	<b>EN 60947-1</b>	<b>EN 60947-1</b>
Overvoltage category	<b>III</b>	<b>III</b>	<b>III</b>
Pollution degree	<b>2</b>	<b>2</b>	<b>2</b>
Rated insulation voltage	<b>250 V</b>	<b>250 V</b>	<b>250 V</b>
Rated impulse withstand voltage	<b>6 kV</b>	<b>6 kV</b>	<b>6 kV</b>
Protection type			
Housing	<b>IP40</b>	<b>IP40</b>	<b>IP40</b>
Terminals	<b>IP20</b>	<b>IP20</b>	<b>IP20</b>
Mounting area (e.g. control cabinet)	<b>IP54</b>	<b>IP54</b>	<b>IP54</b>
<b>Mechanical data</b>	<b>750109</b>	<b>751109</b>	<b>751189</b>
Mounting position	<b>Any</b>	<b>Any</b>	<b>Any</b>
Mechanical life	<b>10,000,000 cycles</b>	<b>10,000,000 cycles</b>	<b>10,000,000 cycles</b>
Material			
Bottom	<b>PC</b>	<b>PC</b>	<b>PC</b>
Front	<b>PC</b>	<b>PC</b>	<b>PC</b>
Top	<b>PC</b>	<b>PC</b>	<b>PC</b>
Connection type	<b>Screw terminal</b>	<b>Spring-loaded terminal</b>	<b>Spring-loaded terminal</b>
Mounting type	<b>plug-in</b>	<b>plug-in</b>	<b>plug-in</b>
Conductor cross section with screw terminals			
1 core flexible	<b>0,25 - 2,5 mm<sup>2</sup>, 24 - 12 AWG</b>	–	–
2 core with the same cross section, flexible with crimp connectors, no plastic sleeve	<b>0,25 - 1 mm<sup>2</sup>, 24 - 16 AWG</b>	–	–
2 core with the same cross section, flexible without crimp connectors or with TWIN crimp connectors	<b>0,2 - 1,5 mm<sup>2</sup>, 24 - 16 AWG</b>	–	–
Torque setting with screw terminals	<b>0,5 Nm</b>	–	–
Stripping length with screw terminals	<b>7 mm</b>	–	–
Conductor cross section with spring-loaded terminals: Flexible with/without crimp connector	–	<b>0,2 - 2,5 mm<sup>2</sup>, 24 - 12 AWG</b>	<b>0,2 - 2,5 mm<sup>2</sup>, 24 - 12 AWG</b>
Spring-loaded terminals: Terminal points per connection	–	<b>2</b>	<b>2</b>
Stripping length with spring-loaded terminals	–	<b>9 mm</b>	<b>9 mm</b>

Mechanical data	750109	751109	751189
Dimensions			
Height	98 mm	100 mm	100 mm
Width	17,5 mm	17,5 mm	17,5 mm
Depth	120 mm	120 mm	120 mm
Weight	175 g	175 g	175 g

**Safety characteristic data**



**NOTICE**

You must comply with the safety characteristic data in order to achieve the required safety level for your plant/machine.

Operating mode	EN ISO 13849-1: 2023	EN ISO 13849-1: 2023	EN IEC 62061 SIL CL/max.	EN IEC 62061 61508	EN/IEC 61511 61508	EN/IEC 61511 61508	EN ISO 13849-1: 2023
	PL	Category	SIL	PFH [1/h]	SIL	PFD	T <sub>M</sub> [year]

Safety contacts, delayed

PL e	Cat. 4	SIL 3	2,34E-09	SIL 3	2,75E-05	20
------	--------	-------	----------	-------	----------	----

Explanatory notes for the safety-related characteristic data:

- ▶ T<sub>M</sub> is the maximum mission time in accordance with EN ISO 13849-1. The value also applies as the retest interval in accordance with EN IEC 61508-6 and EN IEC 61511 and as the proof test interval and mission time in accordance with EN IEC 62061.

All the units used within a safety function must be considered when calculating the safety characteristic data.



**INFORMATION**

A safety function's SIL/PL values are **not** identical to the SIL/PL values of the products used and may differ from these.

**Classification according to ZVEI, CB24I**

The following tables describe the classes and specific values of the product interface and the classes of interfaces compatible with it. The classification is described in the ZVEI position paper "Classification of Binary 24 V Interfaces - Functional Safety aspects covered by dynamic testing".

**Input****Interfaces**

## Drain

Interface	<b>Module</b>
Class	<b>C0</b>

## Source

Interface	<b>Sensor</b>
Class	<b>C1, C2, C3</b>

**Drain parameters**

Max. test pulse duration	<b>2 ms</b>
Min. input resistance	<b>1,5 kOhm</b>
Max. capacitive load	<b>10 nF</b>

**Relay outputs****Interfaces**

## Source

Interface	<b>Module</b>
Class	<b>A</b>

## Drain

Interface	<b>Actuator</b>
Class	<b>A</b>

**Source parameters**

Min. switching voltage	<b>12 V</b>
Max. switching voltage	<b>250 V</b>
Min. switching current	<b>0,003 A</b>
Max. switching current	<b>6 A</b>
Potential isolation	<b>Yes</b>

**Supplementary data****CAUTION!**

It is essential to consider the relay's service life graphs. The relay outputs' safety-related characteristic data is only valid if the values in the service life graphs are met.

The PFH value depends on the switch frequency and the load of the relay output. If the service life graphs are not accessible, the stated PFH value can be used irrespective of the switch frequency and the load, as the PFH value already considers the relay's B10d value as well as the failure rates of the other components.

**Service life graph**

The service life graphs indicate the number of cycles from which failures due to wear must be expected. The wear is mainly caused by the electrical load; the mechanical load is negligible.

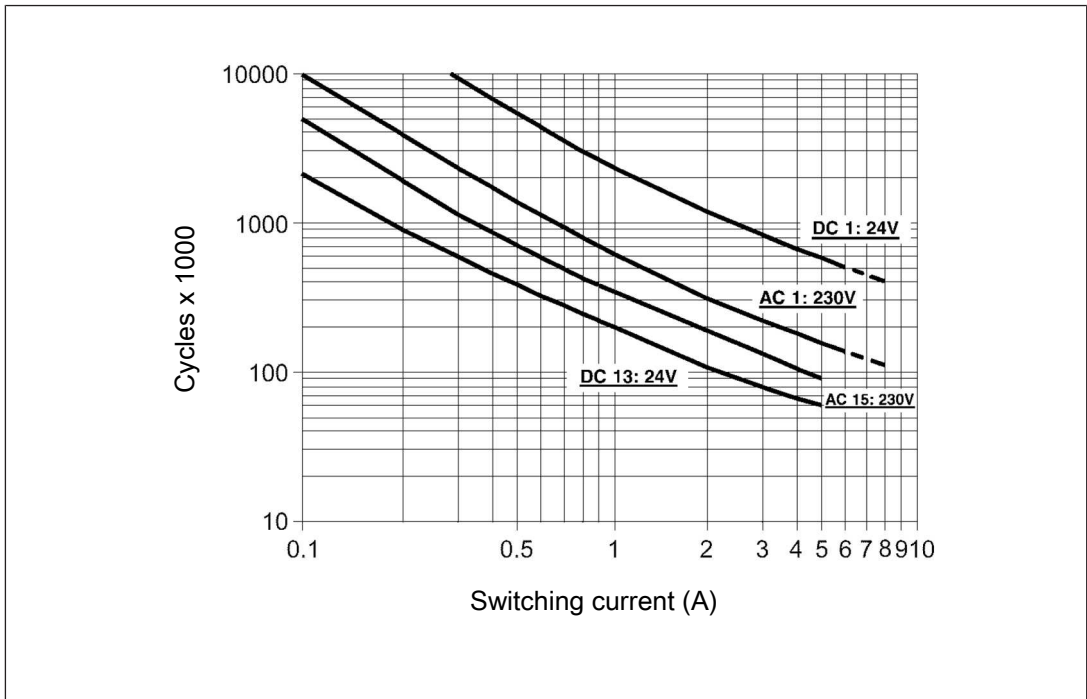


Fig.: Service life graphs at 24 V DC and 230 V AC

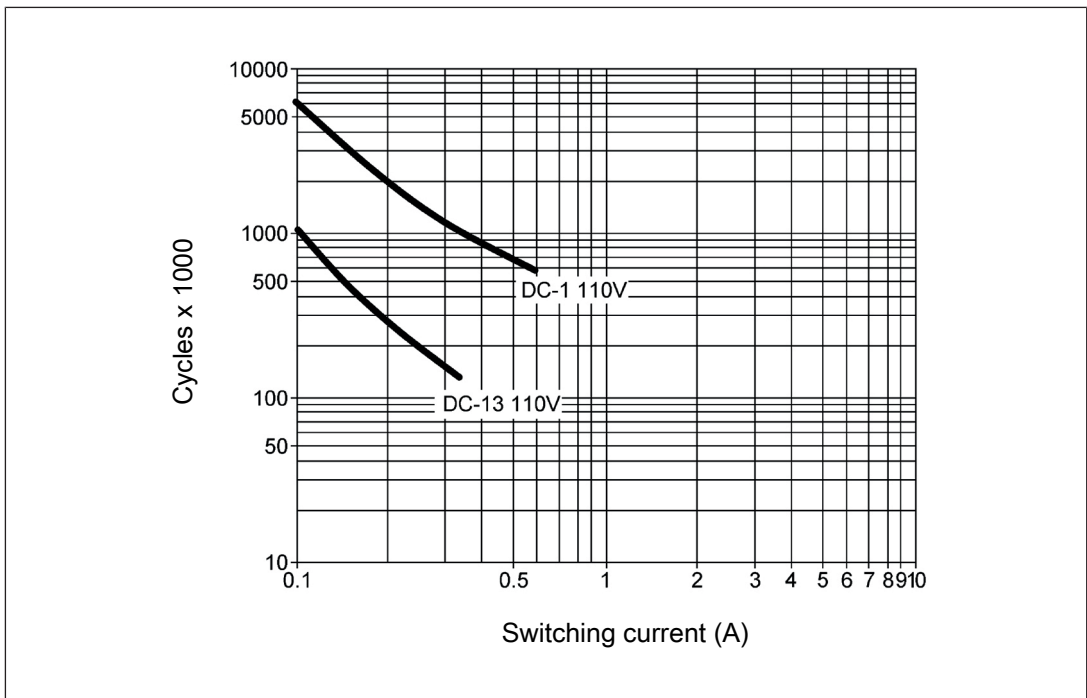


Fig.: Service life graphs at 110 V DC

**Example**

- ▶ Inductive load: 0.2 A
- ▶ Utilisation category: AC15
- ▶ Contact service life: 2 000 000 cycles

Provided the application to be implemented requires fewer than 2 000 000 cycles, the PFH value (see [Technical details \[23\]](#)) can be used in the calculation.

To increase the service life, sufficient spark suppression must be provided on all output contacts. With capacitive loads, any power surges that occur must be noted. With DC contactors, use flywheel diodes for spark suppression.

### Operating height in accordance with EN 60664-1

The values stated in the technical details apply to the use of the product in operating heights up to max. 2000 m above sea level. When used in greater heights, constraints have to be taken into account:

- ▶ Permitted maximum operating height 5000 m
- ▶ Reduction of rated insulation voltage and rated impulse withstand voltage for applications with safe separation:

Maximum operation height	Rated insulation voltage	Overvoltage category	Max. rated impulse withstand voltage
3000 m	150 V	II	2.5 kV
	100 V	III	2.5 kV
4000 m	150 V	II	2.5 kV
	100 V	III	2.5 kV
5000 m	150 V	II	2.5 kV
	100 V	III	2.5 kV

- ▶ Reduction of rated insulation voltage and rated impulse withstand voltage for applications with basic insulation:

Maximum operation height	Rated insulation voltage	Overvoltage category	Max. rated impulse withstand voltage
3000 m	250 V	II	2.5 kV
	150 V	III	2.5 kV
4000 m	250 V	II	2.5 kV
	150 V	III	2.5 kV
5000 m	250 V	II	2.5 kV
	150 V	III	2.5 kV

- ▶ From an operating height of 2000 m the max. permitted ambient temperature is reduced by 0.5 °C/100 m

Operating height	Permitted ambient temperature
3000 m	50 °C
4000 m	45 °C
5000 m	40 °C

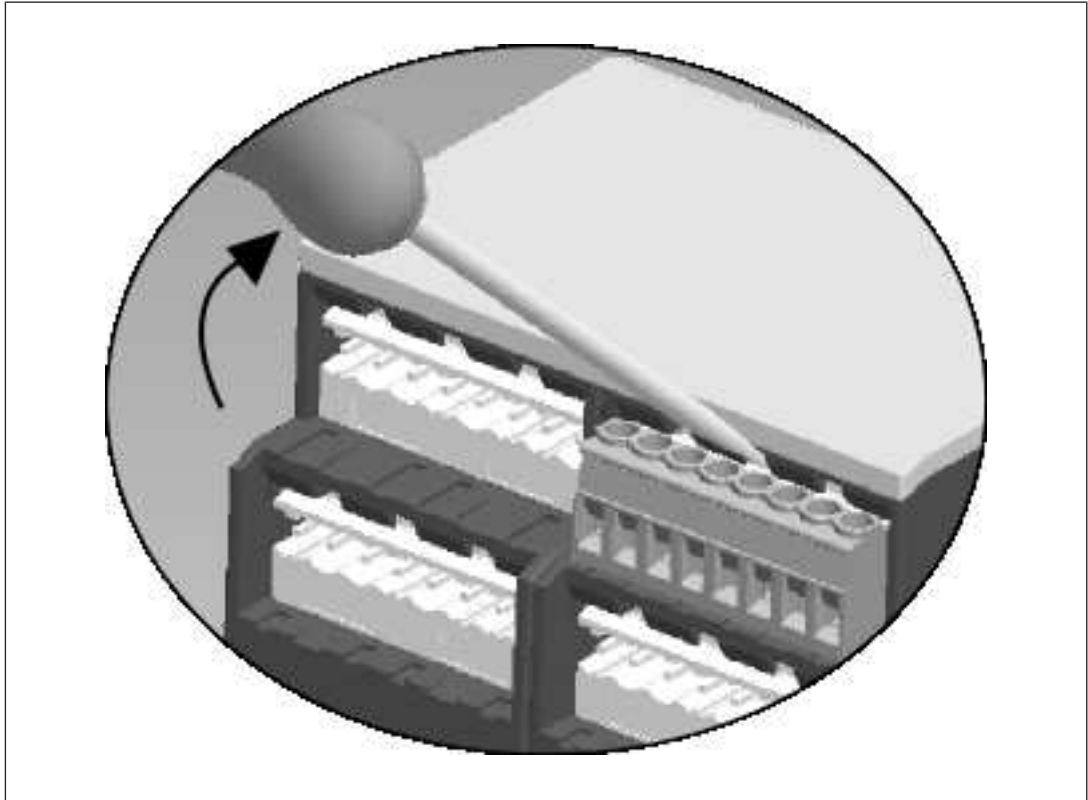
## Remove plug-in terminals

### Procedure

► Insert a suitable screwdriver into the housing recess behind the terminal.

Do **not** remove the terminals by pulling the cables!

► Lever the terminal out.



## Order reference

### Product

Product type	Features	Connection type	Product ID
PNOZ s9	24 VDC	Screw terminals	750109
PNOZ s9 C	24 VDC	Spring-loaded terminals	751109
PNOZ s9 C (coated version)	24 VDC	Spring-loaded terminals	751189
PNOZ s9 C	24 VDC; 10 pieces	Spring-loaded terminals	751909

### Accessories

Product type	Features	Product ID
Adhesive seal for myPNOZ (20 pieces)	Adhesive seal for myPNOZ to protect rotary switch settings from manipulation	2A000200

### **EU/EC declaration of conformity**

These products meet the requirements of the directive 2006/42/EC on machinery up to and including 19 January 2027, and the EU regulation 2023/1230 of the European Parliament and of the Council from 20 January 2027. The full EU and EC declaration of conformity is available to download at [www.pilz.com/manuals](http://www.pilz.com/manuals).

Authorised representative: Pilz GmbH & Co. KG, Felix-Wankel-Str. 2, 73760 Ostfildern, Germany

### **UKCA-Declaration of Conformity**

These products comply with following UK legislation: Supply of Machinery (Safety) Regulation 2008.

The complete UKCA Declaration of Conformity is available on the Internet at [www.pilz.com/manuals](http://www.pilz.com/manuals).

Representative: Pilz Automation Technology, Pilz House, Little Colliers Field, Corby, Northamptonshire, NN18 8TJ United Kingdom, eMail: [mail@pilz.co.uk](mailto:mail@pilz.co.uk)

# Support

Technical support is available from Pilz round the clock.

## Americas

### Brazil

+55 11 97569-2804

### Canada

+1 888 315 7459

### Mexico

+52 55 5572 1300

### USA (toll-free)

+1 877-PILZUSA (745-9872)

## Asia

### China

+86 400-088-3566

### Japan

+81 45 471-2281

### South Korea

+82 31 778 3390

## Australia and Oceania

### Australia

+61 3 95600621

### New Zealand

+64 9 6345350

## Europe

### Austria

+43 1 7986263-444

### Belgium, Luxembourg

+32 9 3217570

### France

+33 3 88104003

### Germany

+49 711 3409-444

### Ireland

+353 21 4804983

### Italy, Malta

+39 0362 1826711

## Scandinavia

+45 74436332

## Spain

+34 938497433

## Switzerland

+41 62 88979-32

## The Netherlands

+31 347 320477

## Türkiye

+90 216 5775552

## United Kingdom

+44 1536 460866

## You can reach our international hotline on:

+49 711 3409-222

support@pilz.com

## Reporting security vulnerabilities or security incidents

If you would like to report a security vulnerability or a security incident in connection with a Pilz product, please contact our **Pilz Product Security Incident Response Team (PSIRT)**.

You can reach us at: [www.pilz.com/psirt](http://www.pilz.com/psirt)

Pilz develops environmentally-friendly products using ecological materials and energy-saving technologies. Offices and production facilities are ecologically designed, environmentally-aware and energy-saving. So Pilz offers sustainability, plus the security of using energy-efficient products and environmentally-friendly solutions.



[www.pilz.com/facebook](http://www.pilz.com/facebook)



[www.pilz.com/linkedin](http://www.pilz.com/linkedin)



[www.pilz.com/xing](http://www.pilz.com/xing)



[www.pilz.com/youtube](http://www.pilz.com/youtube)



We are represented internationally. Please refer to our homepage [www.pilz.com](http://www.pilz.com) for further details or contact our headquarters.

Headquarters: Pilz GmbH & Co. KG, Felix-Wankel-Straße 2, 73760 Ostfildern, Germany  
Telephone: +49 711 3409-0, E-Mail: [info@pilz.com](mailto:info@pilz.com), Internet: [www.pilz.com](http://www.pilz.com)

**PILZ**  
THE SPIRIT OF SAFETY

CECE, CHRE, CMSE®, IndustrialPi®, Leansate®, MYZEL®, PAS4000®, PAScal®, PASconfig®, Pilz®, PII®, PMCprimos®, PMCProtego®, PMCTendo®, PMD®, PMI®, PNOZ®, Primo®, PSEN®, PSS®, PVS®, SafetyBUS p®, SafetyNET p®, THE SPIRIT OF SAFETY® are registered and protected trademarks of Pilz GmbH & Co. KG in some countries. We would point out that product features may vary from the details stated in this document, depending on the status at the time of publication and the scope of the equipment. We accept no responsibility for the validity, accuracy and entirety of the text and graphics presented in this information. Please contact our Technical Support if you have any questions.

21401-EN-17, 2026-05 Printed in Germany  
© Pilz GmbH & Co. KG, 2024