



## ▶ Laser pointer for PSEN 4/2

**PILZ**  
THE SPIRIT OF SAFETY

Operating Manual-1001184-EN-03  
- PSEN sensor technology



This document is the original document.

Where unavoidable, for reasons of readability, the masculine form has been selected when formulating this document. We do assure you that all persons are regarded without discrimination and on an equal basis.

All rights to this documentation are reserved by Pilz GmbH & Co. KG. Copies may be made for the user's internal purposes. Suggestions and comments for improving this documentation will be gratefully received.

CECE®, CHRE®, CMSE®, INDUSTRIAL PI®, Leansafe®, MYZEL®, PAS4000®, PAS-cal®, PASconfig®, Pilz®, PIT®, PMCprimo®, PMCprotego®, PMctendo®, PMD®, PMI®, PNOZ®, Primo®, PSEN®, PSS®, PVIS®, SafetyBUS p®, SafetyEYE®, SafetyNET p®, THE SPIRIT OF SAFETY® are registered and protected trademarks of Pilz GmbH & Co. KG in some countries.



SD means Secure Digital

## Description

The laser pointer is suitable for the mechanical alignment of all light grids in the PSENopt range with finger, hand and body protection and an operating range  $\leq 50$  metres.

We particularly recommend the laser pointer in applications with one or more deviating mirrors.



## Installation guidelines

- ▶ Install the transmitter and receiver of the light grid PSENopt in the required position. We recommend that you use floor brackets and protective housings. Make sure that the bracket is securely attached and that the longitudinal axis of the housing is at a right angle to the floor.
- ▶ Install the laser pointer in one of the grooves of the light grid PSENopt. You can insert the relevant bracket into the groove from the top or insert it directly on the side. Side installation is required if you install the light grid using the rotatable mounting bracket.

## Battery change

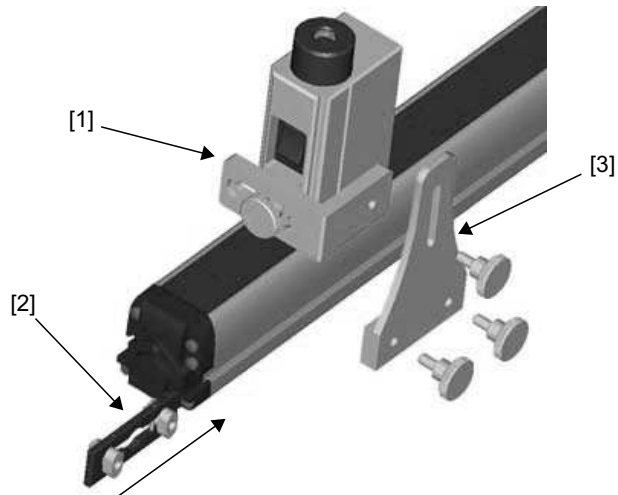


Voltage to the laser pointer is supplied via 2 micro batteries 1.5V (Type AAA). Batteries are not supplied with the unit. Exchange the batteries when they are depleted.

Once used, old batteries must be deposited at an appropriate collection point; under no circumstances should they be disposed of with the household waste.

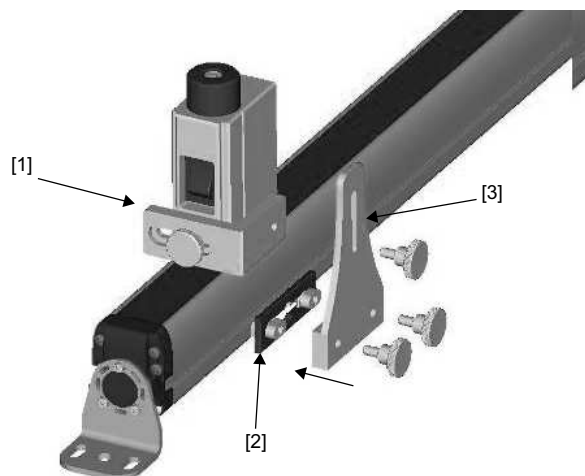
## Installation

### Installation from above



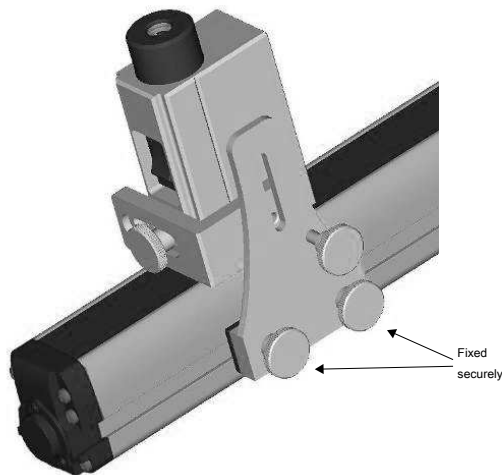
Push the holder [2] from above into the lateral groove until the required position is reached. Ensure that the retaining cams are vertical to the holder's longitudinal axis.

### Side installation



Insert the holder [2] into the groove, directly at the required position. Ensure that the retaining cams are parallel to the holder's longitudinal axis. Rotate the cams into the vertical position as soon as they are inserted in the groove.

Place the angle bracket [3] on the holder [2]. Tighten the screws slightly. Attach the angle bracket [1] using the rotary knob on the top of the laser pointer. Do not turn the screws too tightly, so that you can still align the laser pointer.



Now screw bracket [3] to bracket [1] using the fourth threaded knob. Now you can tighten up the two threaded knobs that connect [3] to [2].

Please note:

- ▶ The laser pointer must be positioned centrally in front of the transmitter's front screen.
- ▶ The laser point must be reproduced centrally on the front screen of the receiver opposite.
- ▶ Do not look at the laser beam.
- ▶ The laser beam must not be diverted on to other objects due to reflection.

#### Aligning the light grid

1. Switch on the laser pointer via the toggle switch on the top. During alignment you can orientate yourself by the fact that the laser point is reproduced at the same height as the laser pointer on the front screen.



#### INFORMATION

The holes on the supplied angle brackets or rotating brackets / the rotatable mounting brackets make it easier for you to align the light grid. If necessary it is possible to change the incline of the floor bracket for the transmitter and receiver.

2. Attach the laser pointer to the lower part of the transmitter. Repeat the process described under point 1.
3. Attach the laser pointer to the upper part of the receiver and correct the alignment if necessary.
4. Attach the laser pointer to the lower part of the receiver and correct the alignment if necessary. Now attach the aligned light grid, switch off the laser pointer and uninstall it.
5. Finally, check the function of your light grid.



**INFORMATION**

Due to mechanical tolerances in the mounting brackets, the laser pointer can only be used as an alignment guide. Check that the light grid is aligned correctly (see operating manual of light grid).

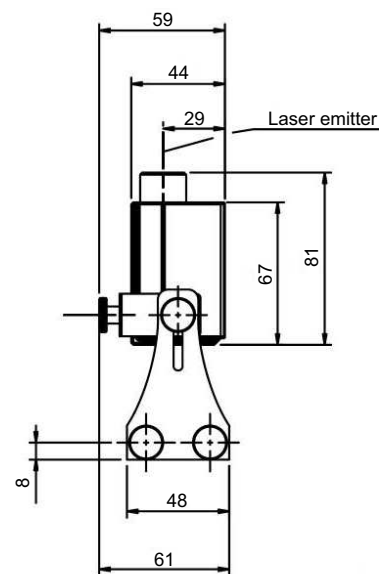
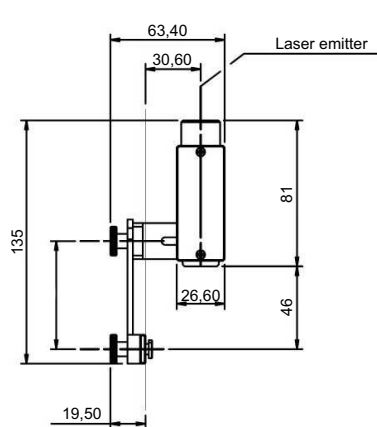
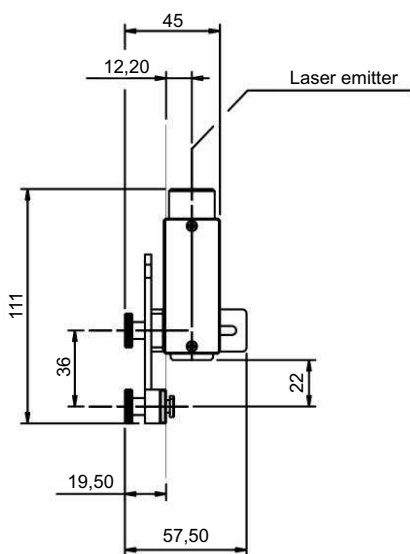
**Technical details**

<b>General</b>	
Certifications	<b>CE</b>
<b>Electrical data</b>	
Supply voltage	
Voltage	<b>3,0 V</b>
<b>Environmental data</b>	
Condensation during operation	<b>Not permitted</b>
<b>Mechanical data</b>	
Material	
Housing	<b>Aluminium</b>
Dimensions	
Height	<b>44,0 mm</b>
Width	<b>67,0 mm</b>
Depth	<b>26,6 mm</b>
Weight	<b>120 g</b>

**Dimensions**

Minimum

Maximum



### Order reference

Product type	Features	Order no.
Laser pointer for PSEN 4/2	Laser alignment guide for PSEN 4/2	630 340

# Support

Technical support is available from Pilz round the clock.

## Americas

### Brazil

+55 11 97569-2804

### Canada

+1 888 315 7459

### Mexico

+52 55 5572 1300

### USA (toll-free)

+1 877-PILZUSA (745-9872)

## Asia

### China

+86 400-088-3566

### Japan

+81 45 471-2281

### South Korea

+82 31 778 3390

## Australia and Oceania

### Australia

+61 3 95600621

### New Zealand

+64 9 6345350

## Europe

### Austria

+43 1 7986263-444

### Belgium, Luxembourg

+32 9 3217570

### France

+33 3 88104003

### Germany

+49 711 3409-444

### Ireland

+353 21 4804983

### Italy, Malta

+39 0362 1826711

## Scandinavia

+45 74436332

## Spain

+34 938497433

## Switzerland

+41 62 88979-32

## The Netherlands

+31 347 320477

## Türkiye

+90 216 5775552

## United Kingdom

+44 1536 460866

## You can reach our international hotline on:

+49 711 3409-222

support@pilz.com

## Reporting security vulnerabilities or security incidents

If you would like to report a security vulnerability or a security incident in connection with a Pilz product, please contact our **Pilz Product Security Incident Response Team (PSIRT)**.

You can reach us at: [www.pilz.com/psirt](http://www.pilz.com/psirt)

Pilz develops environmentally-friendly products using ecological materials and energy-saving technologies. Offices and production facilities are ecologically designed, environmentally-aware and energy-saving. So Pilz offers sustainability, plus the security of using energy-efficient products and environmentally-friendly solutions.



[www.pilz.com/facebook](http://www.pilz.com/facebook)



[www.pilz.com/linkedin](http://www.pilz.com/linkedin)



[www.pilz.com/xing](http://www.pilz.com/xing)



[www.pilz.com/youtube](http://www.pilz.com/youtube)



1001184-EN-03, 2026-05 Printed in Germany  
© Pilz GmbH & Co. KG, 2024

CECE, CHRE, CMSE®, IndustrialPi®, Leansate®, MYZEL®, PAS4000®, PAScal®, PASconfig®, Pilz®, PIR®, PMCPrimo®, PMCProtego®, PMCTendo®, PMD®, PMI®, PNOZ®, Primo®, PSEN®, PSS®, PVS®, SafetyBUS p®, SafetyNET p®, THE SPIRIT OF SAFETY® are registered and protected trademarks of Pilz GmbH & Co. KG in some countries. We would point out that product features may vary from the details stated in this document, depending on the status at the time of publication and the scope of the equipment. We accept no responsibility for the validity, accuracy and entirety of the text and graphics presented in this information. Please contact our Technical Support if you have any questions.

We are represented internationally. Please refer to our homepage [www.pilz.com](http://www.pilz.com) for further details or contact our headquarters.

Headquarters: Pilz GmbH & Co. KG, Felix-Wankel-Straße 2, 73760 Ostfildern, Germany  
Telephone: +49 711 3409-0, E-Mail: [info@pilz.com](mailto:info@pilz.com), Internet: [www.pilz.com](http://www.pilz.com)

**PILZ**  
THE SPIRIT OF SAFETY