

1 2 3 4 5 6 7 8

A

A

B

B

C

C

D

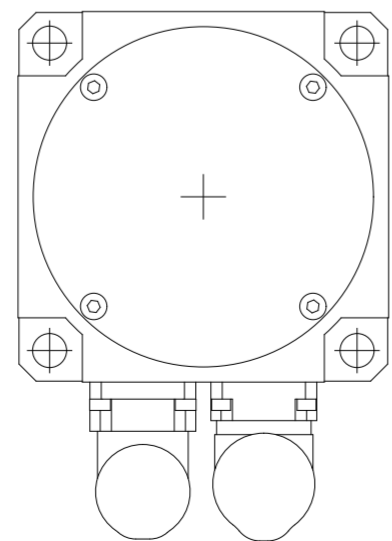
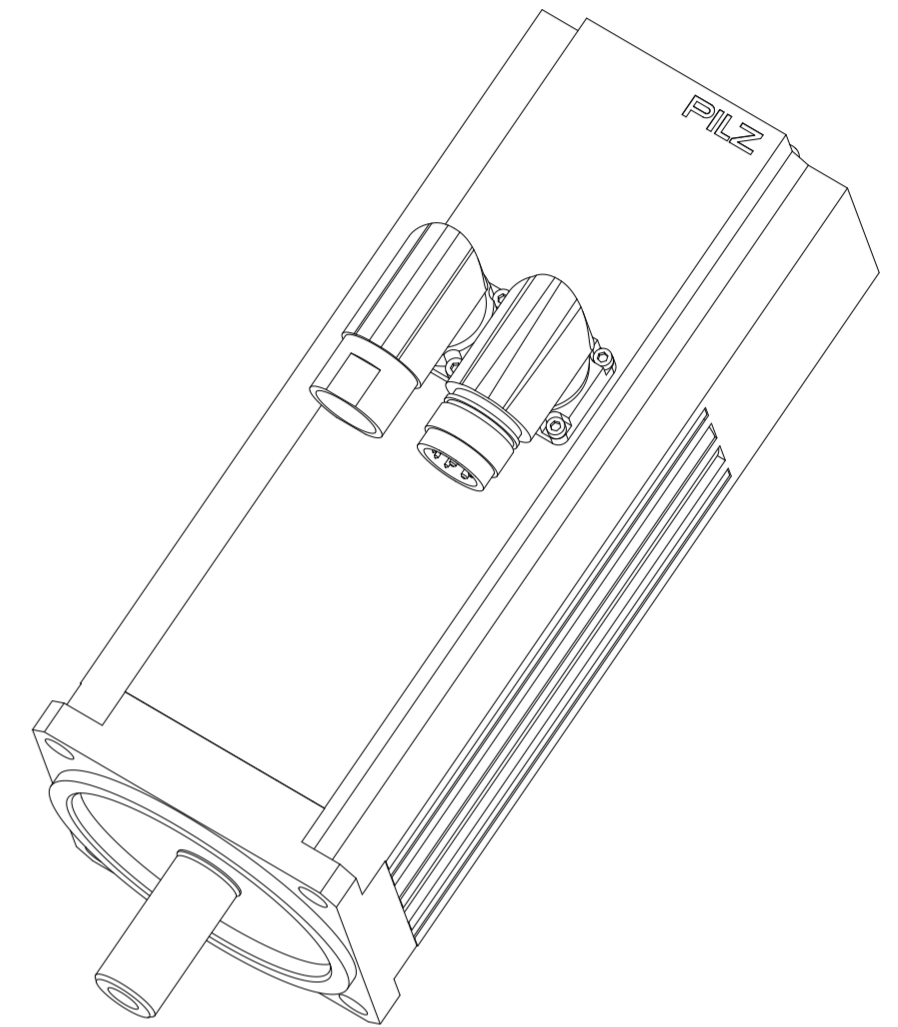
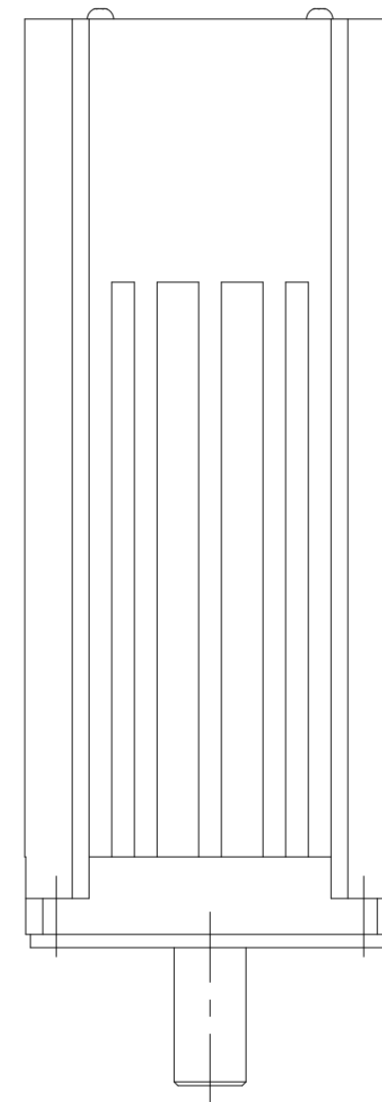
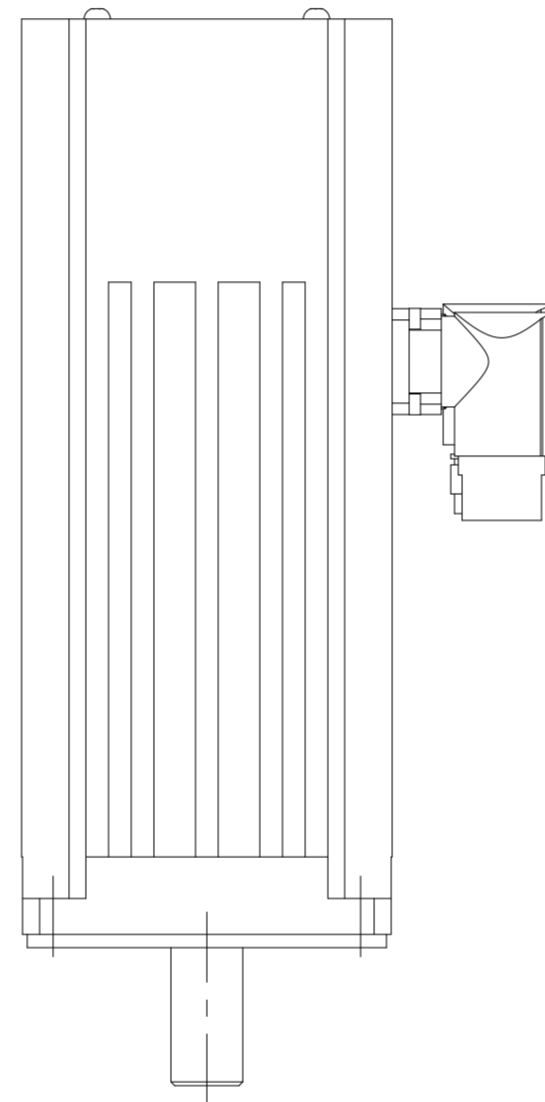
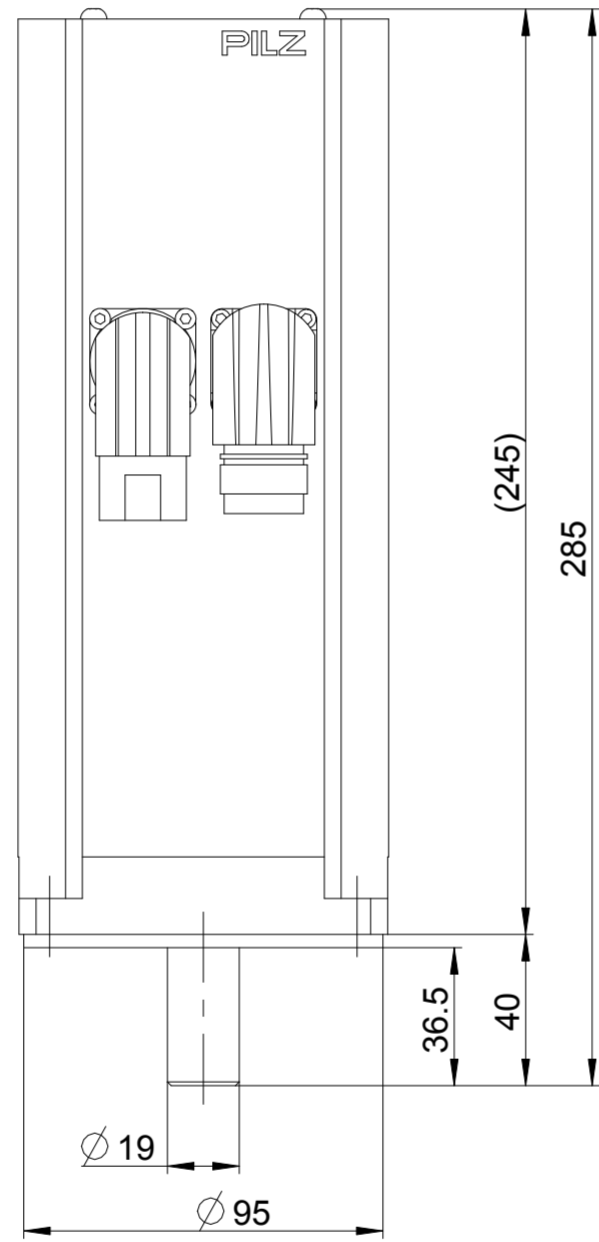
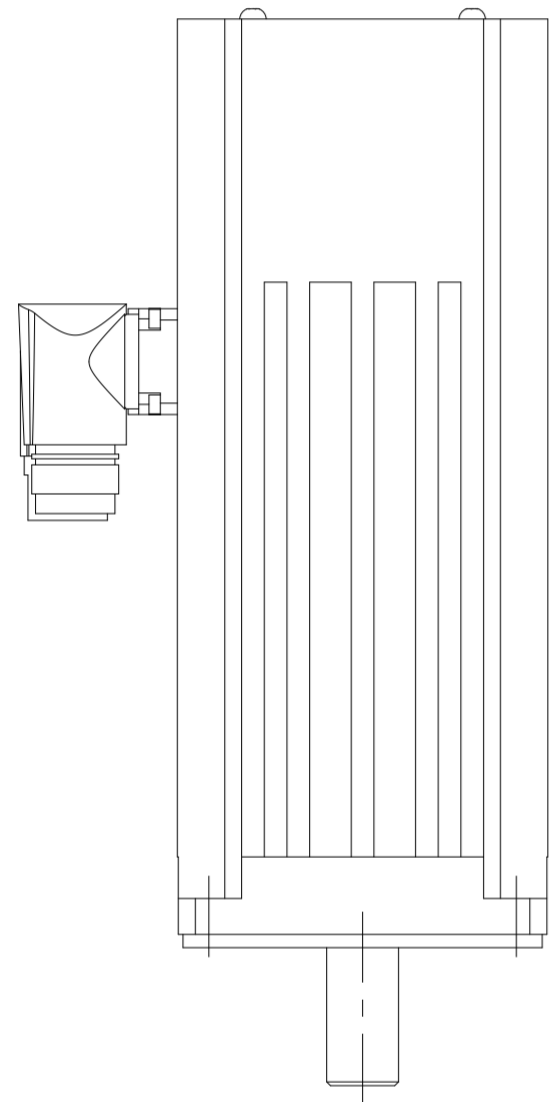
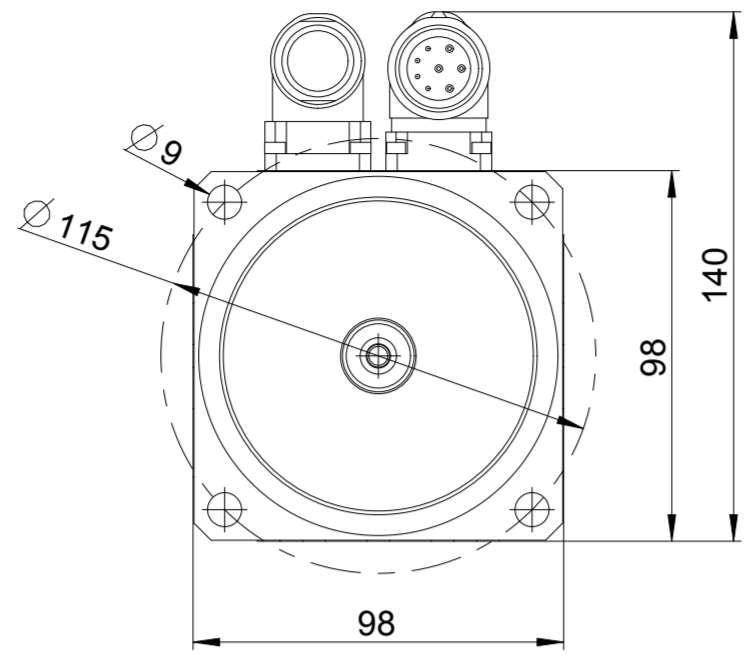
D

E

E

F

F



-	20180260	05.09.2018	PD-SUP-MCPD-SUP-MD	neue Zeichnung new drawing		
Index	ECO no.	Date	Editor	Checked		
Scale	1:2			Date	Name	MODEL: 2027167 DRW: 2027168
Material			Created	05.09.2018	PD-SUP-MD	Internet Dokument internet document MotSZ_44_1627K
			Checked	05.09.2018	PD-SUP-MD	
			Norm	-	-	
Surface			All dimensions are in mm			Doc.-No. 2027168
			Unspecified tolerance			Page 1
			ISO 2768 - mH			Mat.-No. - of 1



Refer to protection notice ISO 18016