

1 2 3 4 5 6 7 8

A

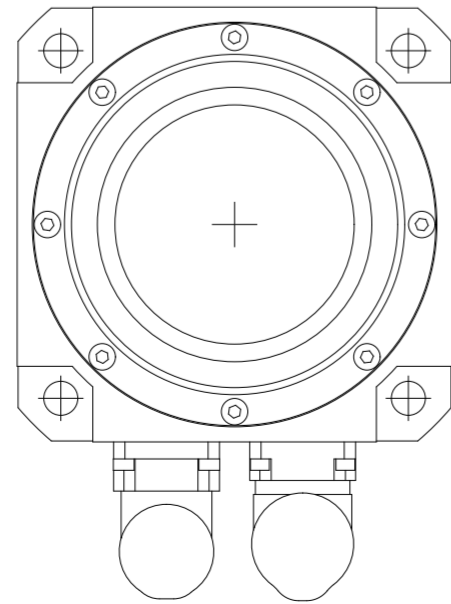
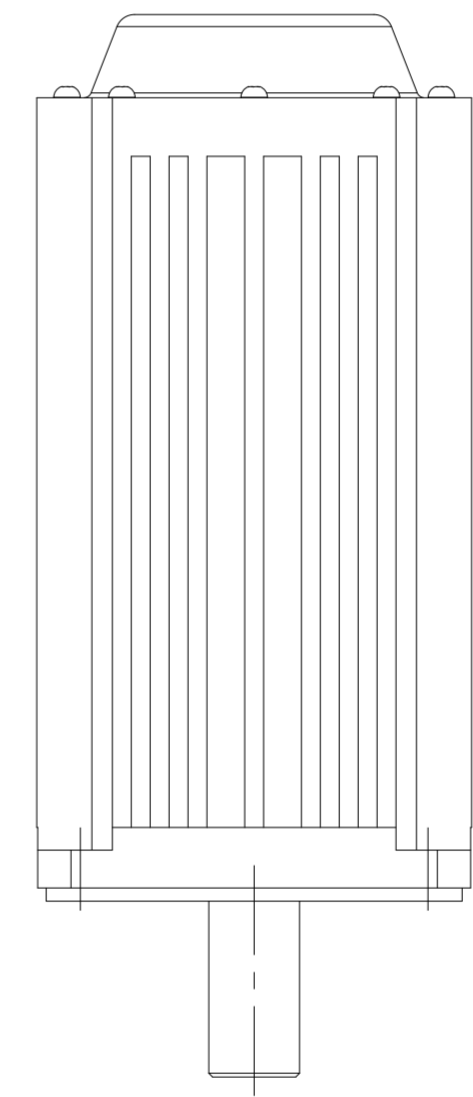
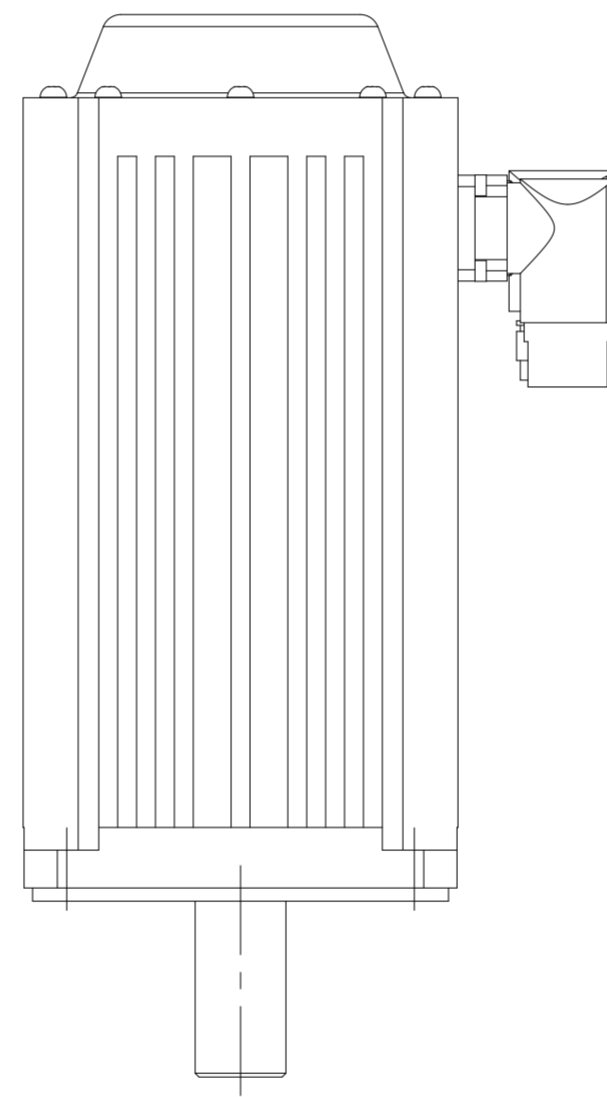
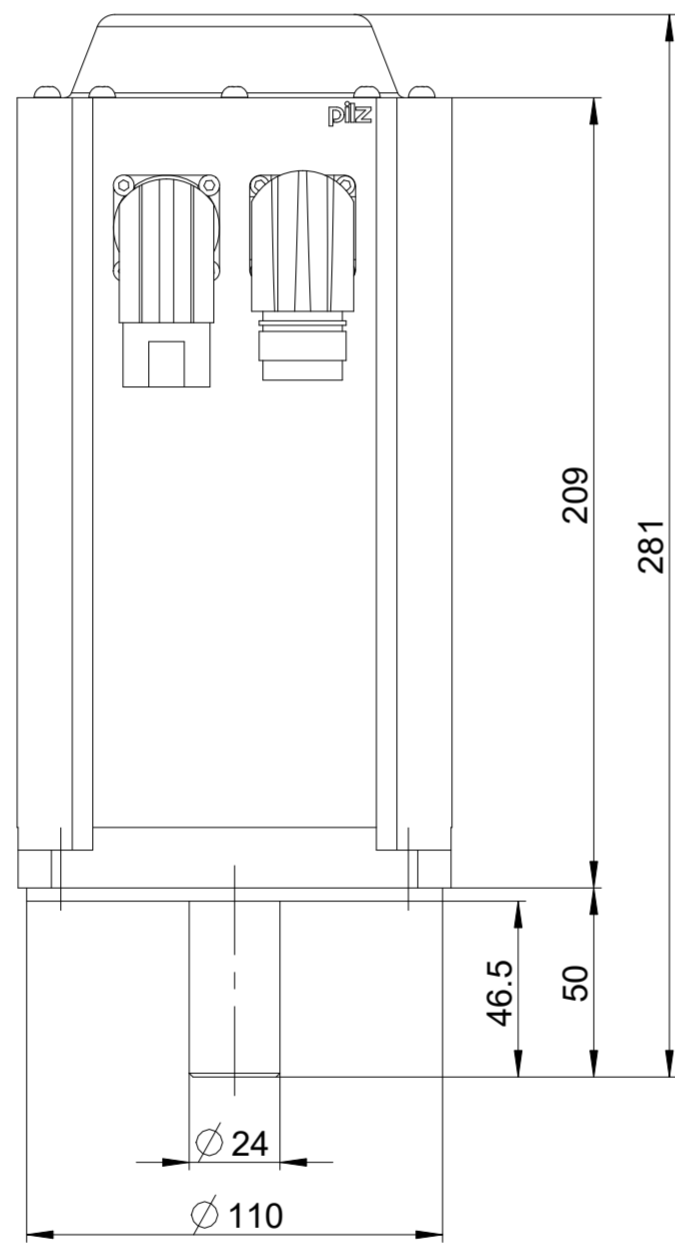
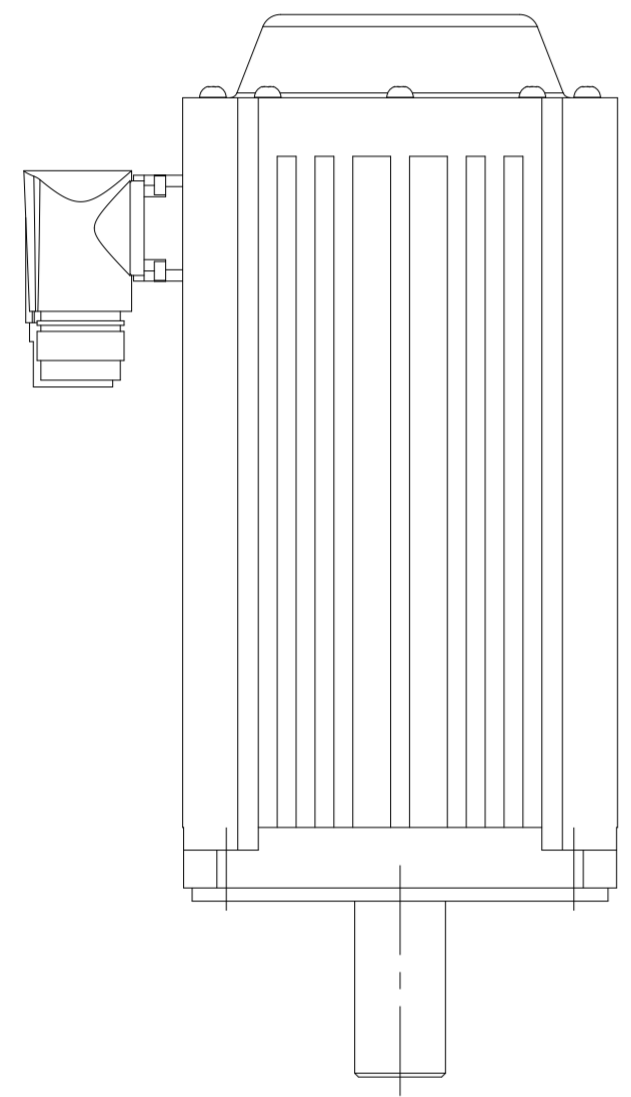
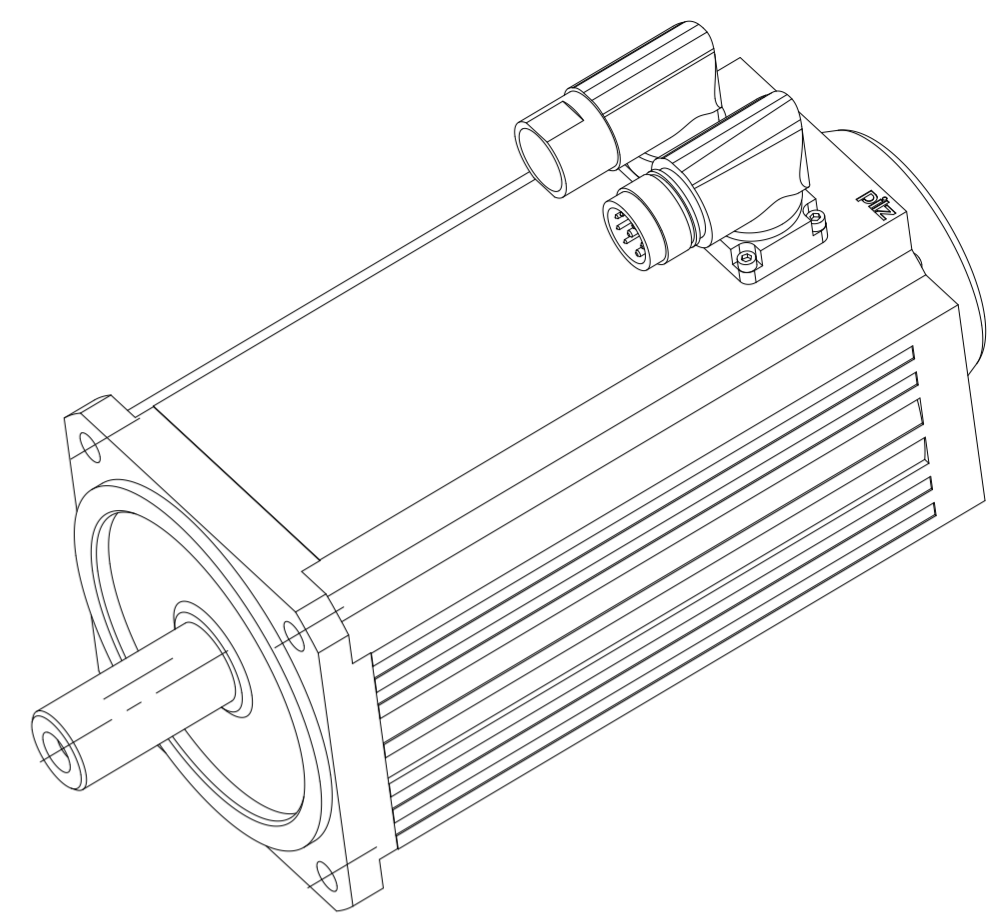
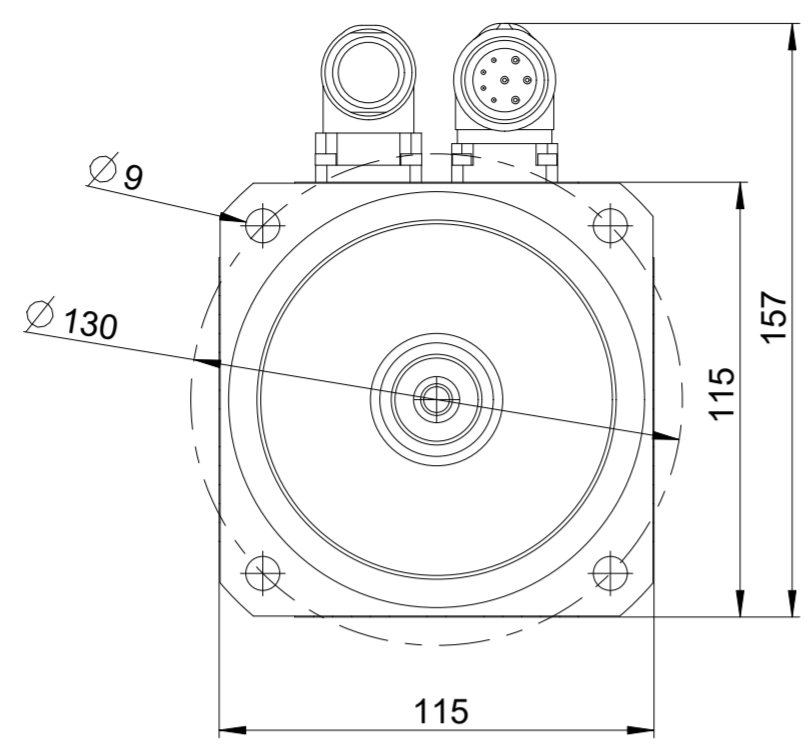
B

C

D

E

F



-	20210167	27.08.2021	PD-SUP-MCPD-SUP-MD	Neue Zeichnung new drawing	
Index	ECO no.	Date	Editor	Checked	
Scale	1:2			Date	Name
Material			Created	27.08.2021	PD-SUP-MD
			Checked	27.08.2021	PD-SUP-MD
			Norm	-	-
Surface			All dimensions are in mm		
			Unspecified tolerance		Doc.-No. 2031369
			ISO 2768 - mH		Page 1
					Mat.-No. 8G000010
					of 1



Refer to protection notice ISO 18016