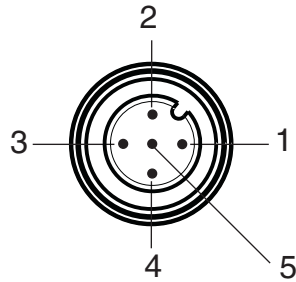


# Accessories

## PSS67/PDP67 Cable M12 5p

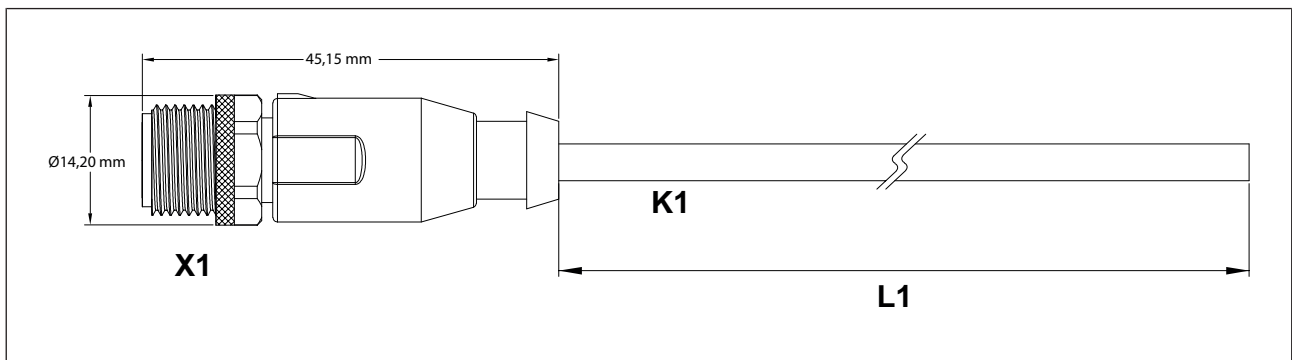
### Connector pin assignment

Colour coding	
1	brown
2	white
3	blue
4	black
5	grey



Plan view plug-in connector X1

### Dimensions



# Accessories

## PSS67/PDP67 Cable M12 5p

### Technical details Order no. 380705 - 380707

General	380705	380706	380707
Certifications	CE, UKCA, cULus Listed	CE, UKCA, cULus Listed	CE, UKCA, cULus Listed
Electrical data	380705	380706	380707
Rated voltage			
Voltage UB	30 V	30 V	30 V
Rated current	4 A	4 A	4 A
Test voltage	3.000 V	3.000 V	3.000 V
Typ. conductor resistance K1	79 Ohm/km	79 Ohm/km	79 Ohm/km
Insulation resistance	100 MOhm	100 MOhm	100 MOhm
Volume resistance	3 mOhm	3 mOhm	3 mOhm
Specific volume resistance K1	$\geq 7E+15$ Ohm*cm	$\geq 7E+15$ Ohm*cm	$\geq 7E+15$ Ohm*cm
Specific cable capacitance K1	64,6pF/m	64,6pF/m	64,6pF/m
Environmental data	380705	380706	380707
Temperature when using in the drag chain	-25 - 60 °C	-25 - 60 °C	-25 - 60 °C
Ambient temperature			
Temperature range	-25 - 80 °C	-25 - 80 °C	-25 - 80 °C
Airgap creepage			
Pollution degree	3	3	3
Protection type			
X1 when inserted	IP68	IP68	IP68
Housing	IP68	IP68	IP68
Mechanical data	380705	380706	380707
Plug connector X1	M12, 5-pin male connector	M12, 5-pin male connector	M12, 5-pin male connector
in accordance with the standard	EN 61076-2-101	EN 61076-2-101	EN 61076-2-101
Form, plug-in connector X1	Straight	Straight	Straight
Coding of plug-in connector X1	A-coded	A-coded	A-coded
Housing material X1	PUR	PUR	PUR
Material of contact surface X1	Au	Au	Au
Material of pin	CuZn	CuZn	CuZn
Conductor material K1	Cu	Cu	Cu
Insulating cover for conductor K1	PP (9Y)	PP (9Y)	PP (9Y)

# Accessories

## PSS67/PDP67 Cable M12 5p

<b>Mechanical data</b>	<b>380705</b>	<b>380706</b>	<b>380707</b>
Mating cycles X1	<b>100</b>	<b>100</b>	<b>100</b>
Cable type K1	<b>LiF9Y11Y</b>	<b>LiF9Y11Y</b>	<b>LiF9Y11Y</b>
Cable length L1	<b>3 m</b>	<b>10 m</b>	<b>20 m</b>
Colour of external cable insulation K1	<b>Yellow, similar to RAL 1003</b>	<b>Yellow, similar to RAL 1003</b>	<b>Yellow, similar to RAL 1003</b>
Colour of housing	<b>Black</b>	<b>Black</b>	<b>Black</b>
Cable insulation material K1	<b>PUR, TPU / TPE-U</b>	<b>PUR, TPU / TPE-U</b>	<b>PUR, TPU / TPE-U</b>
Drag chain suitable K1	<b>Yes</b>	<b>Yes</b>	<b>Yes</b>
Min. bending radius (fixed permanently) K1	<b>5 x Ø</b>	<b>5 x Ø</b>	<b>5 x Ø</b>
Min. bending radius (moving) K1	<b>10 x Ø</b>	<b>10 x Ø</b>	<b>10 x Ø</b>
Bending cycles cable K1	<b>5.000.000</b>	<b>5.000.000</b>	<b>5.000.000</b>
Max. traverse speed K1	<b>3,3 m/s</b>	<b>3,3 m/s</b>	<b>3,3 m/s</b>
Max. acceleration K1	<b>5 m/s<sup>2</sup></b>	<b>5 m/s<sup>2</sup></b>	<b>5 m/s<sup>2</sup></b>
Cable diameter K1	<b>5 mm</b>	<b>5 mm</b>	<b>5 mm</b>
Max. cable diameter K1	<b>5,1 mm</b>	<b>5,1 mm</b>	<b>5,1 mm</b>
Conductor cross section K1	<b>0,25 mm<sup>2</sup></b>	<b>0,25 mm<sup>2</sup></b>	<b>0,25 mm<sup>2</sup></b>
Conductor cross section AWG K1	<b>24</b>	<b>24</b>	<b>24</b>
Wire colour K1	<b>Brown, white, blue, black, grey</b>	<b>Brown, white, blue, black, grey</b>	<b>Brown, white, blue, black, grey</b>
Stranding K1	<b>5 cores around filler</b>	<b>5 cores around filler</b>	<b>5 cores around filler</b>
Shielding K1	<b>No</b>	<b>No</b>	<b>No</b>
Wire layer separation K1	<b>No</b>	<b>No</b>	<b>No</b>
No. of wires K1	<b>5</b>	<b>5</b>	<b>5</b>
Certification cable K1	<b>UL AWM-Style 20233, UL/CSA</b>	<b>UL AWM-Style 20233, UL/CSA</b>	<b>UL AWM-Style 20233, UL/CSA</b>
Certification plug-in connector X1	<b>UL94 V-0</b>	<b>UL94 V-0</b>	<b>UL94 V-0</b>
Halogen-free	<b>Yes</b>	<b>Yes</b>	<b>Yes</b>
Silicone-free	<b>Yes</b>	<b>Yes</b>	<b>Yes</b>
Oil resistance	<b>Resistant</b>	<b>Resistant</b>	<b>Resistant</b>
Non-flammability	<b>UL VW1</b>	<b>UL VW1</b>	<b>UL VW1</b>
Material			
Housing	<b>PUR</b>	<b>PUR</b>	<b>PUR</b>
Weight	<b>125 g</b>	<b>352 g</b>	<b>738 g</b>

# Accessories

## PSS67/PDP67 Cable M12 5p

### Technical details Order no. 380708 - 380709

General	380708	380709
Certifications	CE, UKCA, cULus Listed	CE, UKCA, cULus Listed
Electrical data	380708	380709
Rated voltage		
Voltage UB	30 V	30 V
Rated current	4 A	4 A
Test voltage	3.000 V	3.000 V
Typ. conductor resistance K1	79 Ohm/km	79 Ohm/km
Insulation resistance	100 MOhm	100 MOhm
Volume resistance	3 mOhm	3 mOhm
Specific volume resistance K1	$\geq 7E+15$ Ohm*cm	$\geq 7E+15$ Ohm*cm
Specific cable capacitance K1	64,6pF/m	64,6pF/m
Environmental data	380708	380709
Temperature when using in the drag chain	-25 - 60 °C	-25 - 60 °C
Ambient temperature		
Temperature range	-25 - 80 °C	-25 - 80 °C
Airgap creepage		
Pollution degree	3	3
Protection type		
X1 when inserted	IP68	IP68
Housing	IP68	IP68
Mechanical data	380708	380709
Plug connector X1	M12, 5-pin male connector	M12, 5-pin male connector
in accordance with the standard	EN 61076-2-101	EN 61076-2-101
Form, plug-in connector X1	Straight	Straight
Coding of plug-in connector X1	A-coded	A-coded
Housing material X1	PUR	PUR
Material of contact surface X1	Au	Au
Material of pin	CuZn	CuZn
Conductor material K1	Cu	Cu
Insulating cover for conductor K1	PP (9Y)	PP (9Y)
Mating cycles X1	100	100
Cable type K1	LIF9Y11Y	LIF9Y11Y
Cable length L1	30 m	5 m
Colour of external cable insulation K1	Yellow, similar to RAL 1003	Yellow, similar to RAL 1003
Colour of housing	Black	Black
Cable insulation material K1	PUR, TPU / TPE-U	PUR, TPU / TPE-U

# Accessories

## PSS67/PDP67 Cable M12 5p

<b>Mechanical data</b>	<b>380708</b>	<b>380709</b>
Drag chain suitable K1	<b>Yes</b>	<b>Yes</b>
Min. bending radius (fixed permanently) K1	<b>5 x Ø</b>	<b>5 x Ø</b>
Min. bending radius (moving) K1	<b>10 x Ø</b>	<b>10 x Ø</b>
Bending cycles cable K1	<b>5.000.000</b>	<b>5.000.000</b>
Max. traverse speed K1	<b>3,3 m/s</b>	<b>3,3 m/s</b>
Max. acceleration K1	<b>5 m/s<sup>2</sup></b>	<b>5 m/s<sup>2</sup></b>
Cable diameter K1	<b>5 mm</b>	<b>5 mm</b>
Max. cable diameter K1	<b>5,1 mm</b>	<b>5,1 mm</b>
Conductor cross section K1	<b>0,25 mm<sup>2</sup></b>	<b>0,25 mm<sup>2</sup></b>
Conductor cross section AWG K1	<b>24</b>	<b>24</b>
Wire colour K1	<b>Brown, white, blue, black, grey</b>	<b>Brown, white, blue, black, grey</b>
Stranding K1	<b>5 cores around filler</b>	<b>5 cores around filler</b>
Shielding K1	<b>No</b>	<b>No</b>
Wire layer separation K1	<b>No</b>	<b>No</b>
No. of wires K1	<b>5</b>	<b>5</b>
Certification cable K1	<b>UL AWM-Style 20233, UL/CSA</b>	<b>UL AWM-Style 20233, UL/CSA</b>
Certification plug-in connector X1	<b>UL94 V-0</b>	<b>UL94 V-0</b>
Halogen-free	<b>Yes</b>	<b>Yes</b>
Silicone-free	<b>Yes</b>	<b>Yes</b>
Oil resistance	<b>Resistant</b>	<b>Resistant</b>
Non-flammability	<b>UL VW1</b>	<b>UL VW1</b>
Material		
Housing	<b>PUR</b>	<b>PUR</b>
Weight	<b>1.016 g</b>	<b>179 g</b>

# Accessories

---

## PSS67/PDP67 Cable M12 5p

---

### Order reference

Product type	Features	Connector X1	Connector X2	Connector X3	Order no.
PDP67 cable M12-5sm, 3m	3 m	M12, 5-pin male con- nector, straight			380705
PDP67 cable M12-5sm, 10m	10 m	M12, 5-pin male con- nector, straight			380706
PDP67 cable M12-5sm, 20m	20 m	M12, 5-pin male con- nector, straight			380707
PDP67 cable M12-5sm, 30m	30 m	M12, 5-pin male con- nector, straight			380708
PDP67 cable M12-5sm, 5m	5 m	M12, 5-pin male con- nector, straight			380709