

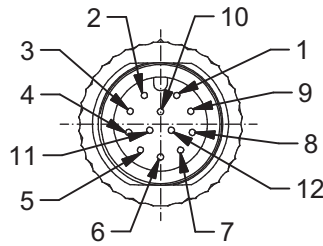
# Accessories

## Cable M12 s 12p

### Connector pin assignment

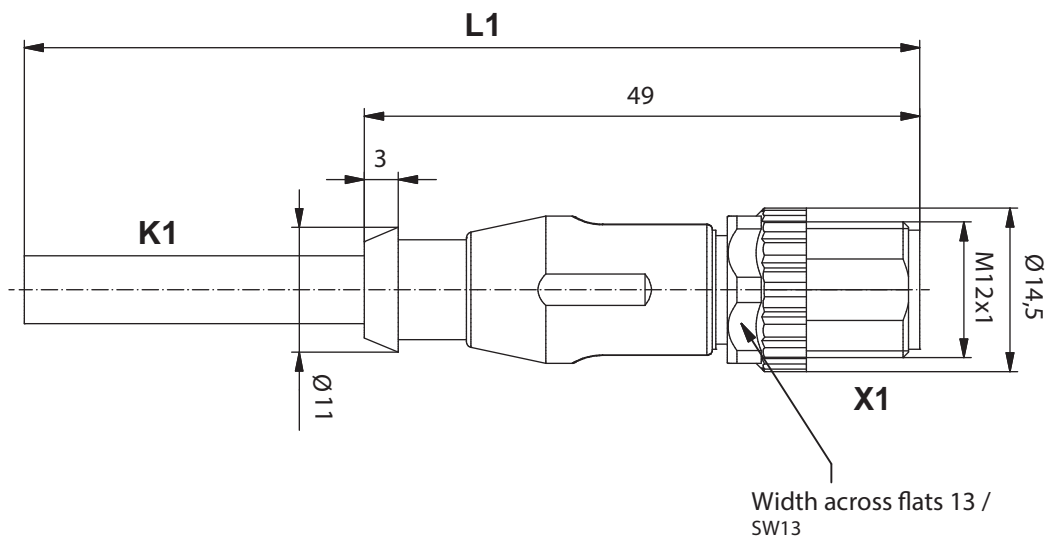
#### Colour coding

1	Brown
2	Blue
3	White
4	Green
5	Pink
6	Yellow
7	Black
8	Grey
9	Red
10	Purple
11	Grey-pink
12	Red-blue



Plan view of plug-in connector X1

### Dimensions in mm



# Accessories

## Cable M12 s 12p

### Technical details

General	C1000068	C1000069	C1000070
Certifications	CE, UKCA	CE, UKCA	CE, UKCA
Electrical data	C1000068	C1000069	C1000070
Rated voltage			
Voltage UB	30 V	30 V	30 V
Rated current	1,5 A	1,5 A	1,5 A
Typ. conductor resistance K1	Max. 84 Ohm/km at 20 °C	Max. 84 Ohm/km at 20 °C	Max. 84 Ohm/km at 20 °C
Insulation resistance	100 MOhm	100 MOhm	100 MOhm
Environmental data	C1000068	C1000069	C1000070
Ambient temperature			
Temperature range	-50 - 80 °C	-50 - 80 °C	-50 - 80 °C
Temperature range (moving)	-25 - 80 °C	-25 - 80 °C	-25 - 80 °C
Airgap creepage			
in accordance with the standard	IEC 60664-1	IEC 60664-1	IEC 60664-1
Pollution degree	2	2	2
Protection type			
X1 when inserted	IP67 when screwed in place	IP67 when screwed in place	IP67 when screwed in place
Mechanical data	C1000068	C1000069	C1000070
Plug connector X1	M12, 12-pin male connector	M12, 12-pin male connector	M12, 12-pin male connector
in accordance with the standard	EN 61076-2-101	EN 61076-2-101	EN 61076-2-101
Form, plug-in connector X1	Straight	Straight	Straight
Coding of plug-in connector X1	A-coded	A-coded	A-coded
Material of ring nut X1	GD-Zn, Ni	GD-Zn, Ni	GD-Zn, Ni
Housing material X1	TPU, UL94 HB	TPU, UL94 HB	TPU, UL94 HB
Material of contact surface X1	CuZn, Ni b/Au 0.2 gal.	CuZn, Ni b/Au 0.2 gal.	CuZn, Ni b/Au 0.2 gal.
Material of pin	CuZn, Ni b/Au 0.2 gal.	CuZn, Ni b/Au 0.2 gal.	CuZn, Ni b/Au 0.2 gal.
Conductor material K1	Cu	Cu	Cu
Insulating cover for conductor K1	PP (9Y)	PP (9Y)	PP (9Y)
Mating cycles X1	100	100	100
Cable type K1	Li9Y11Y	Li9Y11Y	Li9Y11Y
Cable length L1	5 m	10 m	20 m

# Accessories

## Cable M12 s 12p

Mechanical data	C1000068	C1000069	C1000070
Colour of external cable insulation K1	Signal yellow RAL 1003	Signal yellow RAL 1003	Signal yellow RAL 1003
Colour of housing	Black	Black	Black
Cable insulation material K1	TPU/TPE-U	TPU/TPE-U	TPU/TPE-U
Drag chain suitable K1	No	No	No
Min. bending radius (fixed permanently) K1	6 x Ø	6 x Ø	6 x Ø
Min. bending radius (moving) K1	12 x Ø	12 x Ø	12 x Ø
Cable diameter K1	5,75 mm	5,75 mm	5,75 mm
Max. cable diameter K1	5,9 mm	5,9 mm	5,9 mm
Conductor cross section K1	0,25 mm <sup>2</sup>	0,25 mm <sup>2</sup>	0,25 mm <sup>2</sup>
Conductor cross section AWG K1	24	24	24
Wire colour K1	Brown, blue, white, green, pink, yellow, black, grey, red, violet, grey-pink, red-blue	Brown, blue, white, green, pink, yellow, black, grey, red, violet, grey-pink, red-blue	Brown, blue, white, green, pink, yellow, black, grey, red, violet, grey-pink, red-blue
Shielding K1	No	No	No
No. of wires K1	12	12	12
Certification cable K1	UL AWM-Style 20233/11558	UL AWM-Style 20233/11558	UL AWM-Style 20233/11558
Certification plug-in connector X1	UL 94	UL 94	UL 94
Halogen-free	Yes	Yes	Yes
Silicone-free	Yes	Yes	Yes
Oil resistance	Resistant	Resistant	Resistant
Non-flammability	DIN EN 60332-1-2 (60 sec.), UL Cable Flame, FT1	DIN EN 60332-1-2 (60 sec.), UL Cable Flame, FT1	DIN EN 60332-1-2 (60 sec.), UL Cable Flame, FT1
Torque of the interlock screw	0.6 Nm	0.6 Nm	0.6 Nm
Weight	262 g	455 g	841 g

# Accessories

---

## Cable M12 s 12p

---

### Order reference

Product type	Features	Order no.
Cable/XX/ M12-12SM/XXX- XXXX/A/005/0Q25/ XX	Connection cable, 12-pin M12 male connector, straight, A-coded, 12 x 0.25 mm <sup>2</sup> , 5 m	C1000068
Cable/XX/ M12-12SM/XXX- XXXX/A/010/0Q25/ XX	Connection cable, 12-pin M12 male connector, straight, A-coded, 12 x 0.25 mm <sup>2</sup> , 10 m	C1000069
Cable/XX/ M12-12SM/XXX- XXXX/A/020/0Q25/ XX	Connection cable, 12-pin M12 male connector, straight, A-coded, 12 x 0.25 mm <sup>2</sup> , 20 m	C1000070