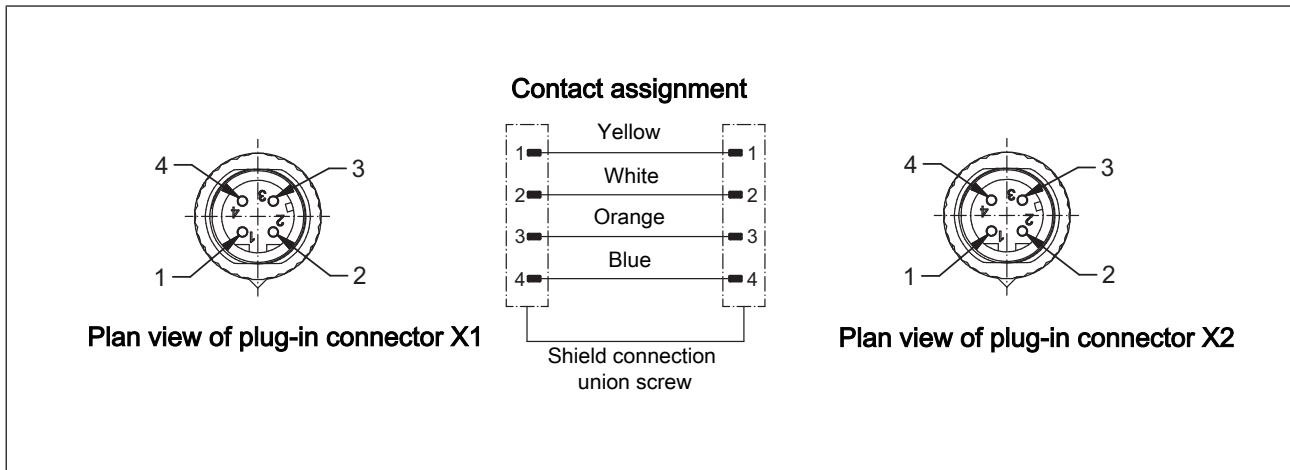


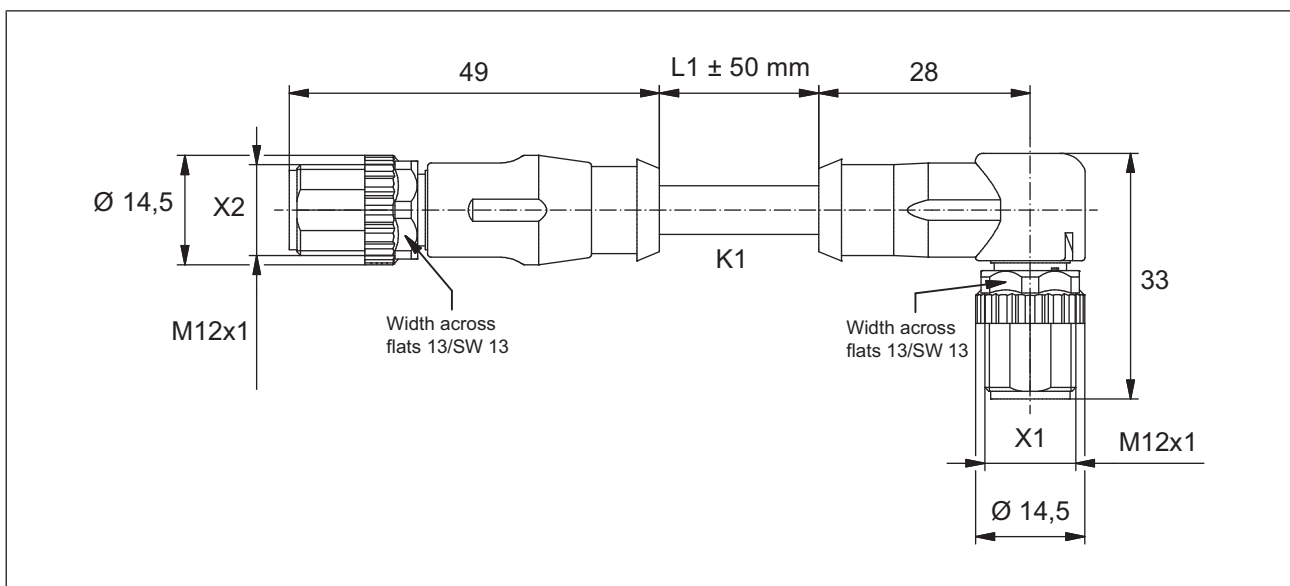
# Accessories

## Cable Ethernet M12-M12 4p

### Connector pin assignment



### Dimensions



# Accessories

## Cable Ethernet M12-M12 4p

### Technical details

#### General

Certifications **CE, UKCA**

#### Electrical data

Rated voltage  
Voltage UB **30 V**

Rated current **4 A**

Insulation resistance **100 MOhm**

Characteristic impedance K1 **100 Ohm**

Specific cable capacitance K1 **50pF/m**

#### Environmental data

Ambient temperature  
Temperature range **-30 - 70 °C**  
Temperature range (moving) **-20 - 60 °C**

Airgap creepage  
Pollution degree **2**

Protection type  
X1 when inserted **IP67 when screwed in place**  
X2 when inserted **IP67 when screwed in place**

#### Mechanical data

Plug-in connector X1 **M12, 4-pin male connector**

In accordance with the standard **IEC 61076-2-101**

Form, plug-in connector X1 **Angled**

Coding of plug-in connector X1 **D-coded**

Plug-in connector X2 **M12, 4-pin male connector**

In accordance with the standard **IEC 61076-2-101**

Form, plug-in connector X2 **Straight**

Coding of plug-in connector X2 **D-coded**

Material of ring nut X1 **GD-Zn, Ni**

Material of ring nut X2 **GD-Zn, Ni**

Housing material X1 **TPU, UL94 HB**

Housing material X2 **TPU, UL94 HB**

Material of contact surface X1 **CuZn, Ni b/Au 0.2 gal.**

Material of contact surface X2 **CuZn, Ni b/Au 0.2 gal.**

Material of pin **CuZn**

Conductor material K1 **Cu**

Insulating cover for conductor K1 **PE**

Mating cycles X1 **100**

Mating cycles X2 **100**

Cable length L1 **3 m**

# Accessories

## Cable Ethernet M12-M12 4p

<b>Mechanical data</b>	
Material of shield surface cable K1	<b>Sn</b>
Category cable K1	<b>Cat5e</b>
Colour of external cable insulation K1	<b>Signal yellow, RAL1003</b>
Colour of housing	<b>black</b>
Cable insulation material K1	<b>PUR</b>
Drag chain suitable K1	<b>No</b>
Min. bending radius (fixed permanently) K1	<b>5 x Ø</b>
Min. bending radius (moving) K1	<b>15 x Ø</b>
Cable diameter K1	<b>6,5 mm</b>
Max. cable diameter K1	<b>6,9 mm</b>
Conductor cross section K1	<b>0,35 mm<sup>2</sup></b>
Conductor cross section AWG K1	<b>22</b>
Wire colour K1	<b>Yellow, orange, white, blue</b>
Stranding K1	<b>Twisted quad</b>
Shielding K1	<b>yes</b>
Shield type K1	<b>Wire mesh</b>
Wire layer separation K1	<b>yes</b>
No. of wires K1	<b>4</b>
Certification cable K1	<b>CSA AWM I/II A/B, UL AWM-Style 20236</b>
Certification plug-in connector X1	<b>UL 94 HB</b>
Certification plug-in connector X2	<b>UL 94 HB</b>
Halogen-free	<b>yes</b>
Silicone-free	<b>yes</b>
Oil resistance	<b>Resistant</b>
Oil-resistance in accordance with the standard	<b>IEC 60811-2-1</b>
Non-flammability	<b>CSA FT-1, IEC 60332-1-1, UL 1581</b>
Torque of the interlock screw	<b>0.6 Nm</b>
Weight	<b>216 g</b>

### Order reference

<b>Product type</b>	<b>Features</b>	<b>Connector X1</b>	<b>Connector X2</b>	<b>Connector X3</b>	<b>Order no.</b>
Cable/IE/ M12-4AMX/ M12-4SMX/D/003/ Q340/SO	3 m	M12, 4-pin male con- nector, angled	M12, 4-pin male con- nector, straight		C1000052